



CMT300

UNIVERSAL JOINTING SYSTEM

Sistema universal de empalme para encajes

Système universel pour assemblages à encastrement

Sistema di giunzioni universale per incastri

Universelle Bohrhilfe für Verbindungen

Uniwersalny system do wykonywania połączeń

Универсальная соединительная система

Instruction Manual	EN	p. 4
Manual de instrucciones	ES	p. 20
Manuel d'instruction	FR	p. 36
Manuale di istruzioni	IT	p. 52
Gebrauchsanweisungen	DE	S. 68
Instrukcja obsługi	PL	S. 84
Инструкция	RU	S.100



C.M.T. Utensili S.p.A.

Via della Meccanica
61122 Pesaro, Fraz. Chiusa di Ginestreto
Italia

tel_ **+39 0721 48571**

fax_ **+39 0721 481021**

e-mail_ **info@cmtorangetools.com**

web site_ **www.cmtorangetools.com**

CMT USA, inc.

7609 Bentley Road Suite D
Greensboro, NC 27409 USA

Phone 336-854-0201

Fax 336-854-0903

e-mail_ **info@cmtorangetools.com**

INDEX	page
1) Contents of the package	4
2) Assembling the CMT300	5
3) Installing the router	7
4) Using the CMT300 and standard CMT300-T128 template	7
5) Optional CMT300-T064 template	9
6) Optional CMT300-T080 template	11 - 13 - 14
7) Optional CMT300-T127 template	12 - 13 - 14
8) Optional CMT300-T129 template	15 - 17 - 18 - 19
9) Optional CMT300-T190 template	16 - 17 - 18 - 19
10) Conclusions	19

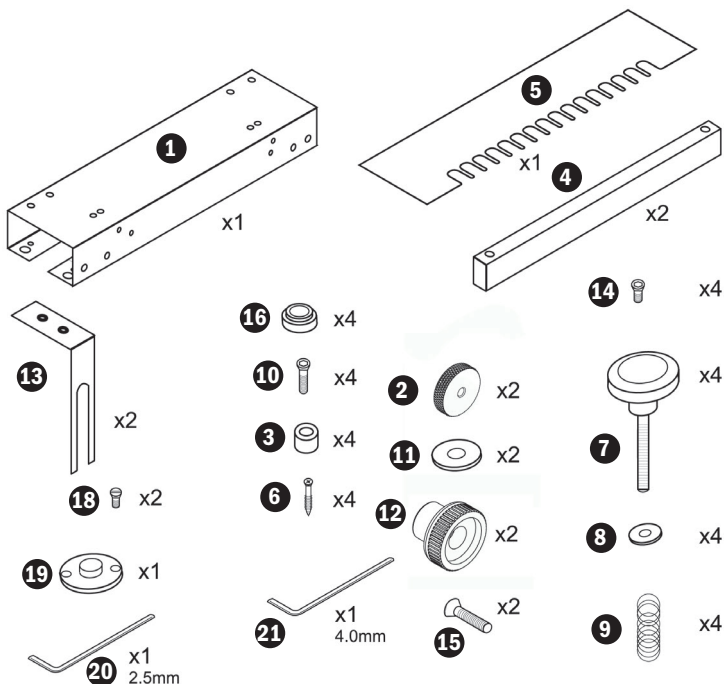
Thanking you for having purchased our products, we wish you many hours of enjoyable work with them! Whether you are a professional or a hobbyist, our universal assembly system will enable you to make any type of joint quickly and easily.

This system can be adapted to any type of router, thanks to its special universal sub-base in transparent PETG (supplied separately).

1. Contents of the package

When you open the package, you will find the following parts inside:

No.	Order No.	Q.ty
1	CMT300-01	1
2	CMT300-02	2
3	CMT300-03	4
4	CMT300-04	2
5	CMT300-T128	1
6	CMT300-06	4
7	CMT300-07	4
8	CMT300-08	4
9	CMT300-09	4
10	CMT300-10	4
11	CMT300-11	2
12	CMT300-12	2
13	CMT300-13	2
14	CMT300-14	4
15	CMT300-15	2
16	CMT300-16	4
18	CMT300-18	2
19	899.005.00	1
20	991.062.00	1
21	991.064.00	1



2) Assembling the CMT300

Fig. 1: The first job is to mount the **CMT300** on the workbench. Four self-tapping screws are supplied for this purpose.

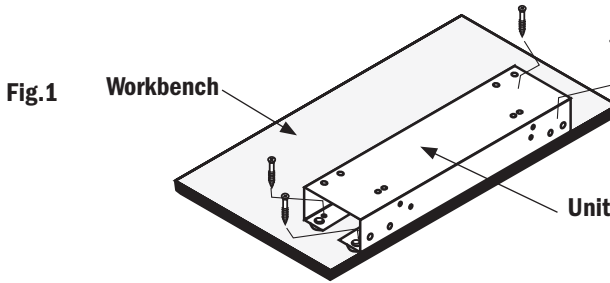


Fig. 2: The purpose of this diagram is to demonstrate how to mount the components required to adjust the position of the template.

First, fit screw 15 in the hole of the body, using the hex key (supplied) and carefully tightening it and fitting lock nut 2 on the other side. Then fit washer 11 and tighten nut 12 manually. Repeat this procedure on the other side of the body.

The components (3) and screws (10) are used to position the wood. Tighten the stops (3) on the body (1) using the screws (10). Set the stops in the positions U1 on the top of the system and F1 on the front of the system.

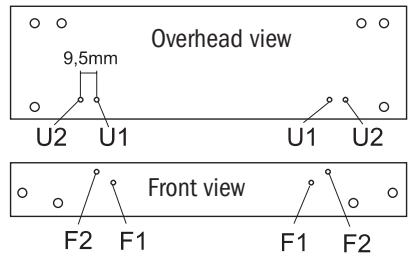
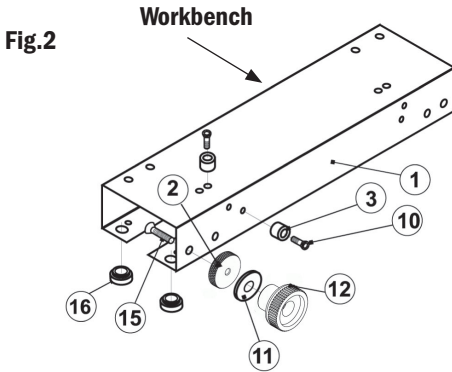


Fig. 3: This diagram enables to mount the template 5. Fit the two adjustable supports (13) on it with the four screws (14).

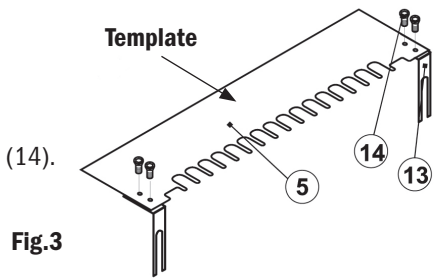


Fig. 4: This diagram shows how to install the clamping bars that will enable the workpiece to be held in place. These bars have a sandpaper coating, which ensures more grip and therefore a better hold on the workpiece during machining.

Fit the two screws with over-sized locking knobs (7) in the washers (8), in the bar (4) and in the spring (9).

All that has to be done now is to tighten the two screws with the over-sized locking knobs in the threaded holes.

Repeat this procedure for the front bar.

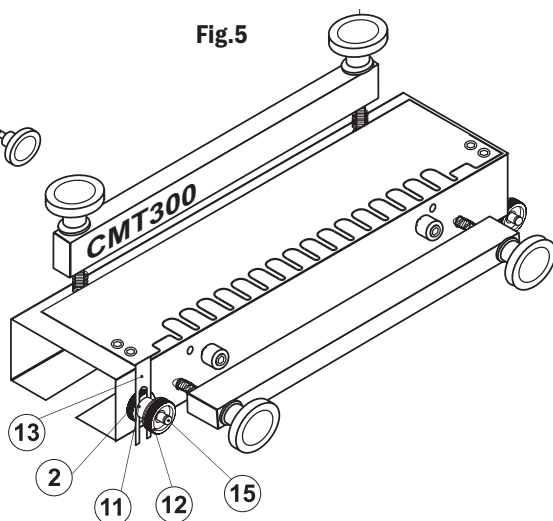
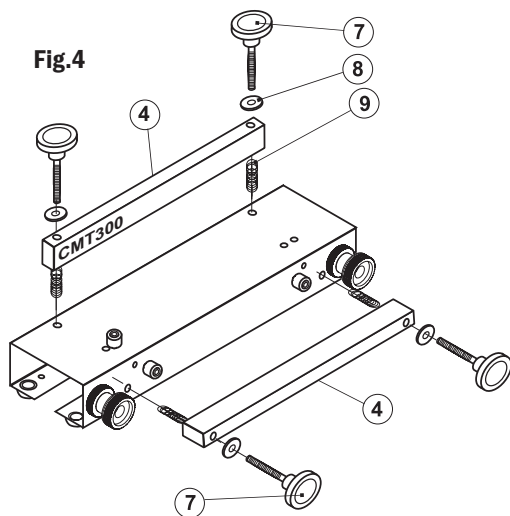
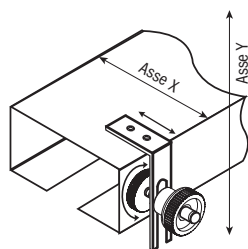


Fig. 6



Adjusting the template

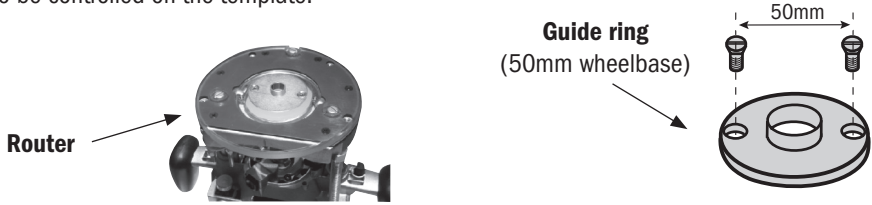
Fig. 5: Lastly, place the template on the body of the **CMT300**.

To do so, just fit the supports (13) between parts 2 and 11.

Fig. 6: Once the template is positioned, it can be adjusted on the two axes - X and Y. Just tighten or loosen the stop nut (2) for X-axis settings and raise or lower the guides (13) for Y-axis settings. Once the exact setting has been found, tighten nut 12 to lock in place. Assembly is now complete.

3) Installing the router

To use the **CMT300** system, a router is required, upon which a guide ring must be fitted. This will enable the machine to be controlled on the template.



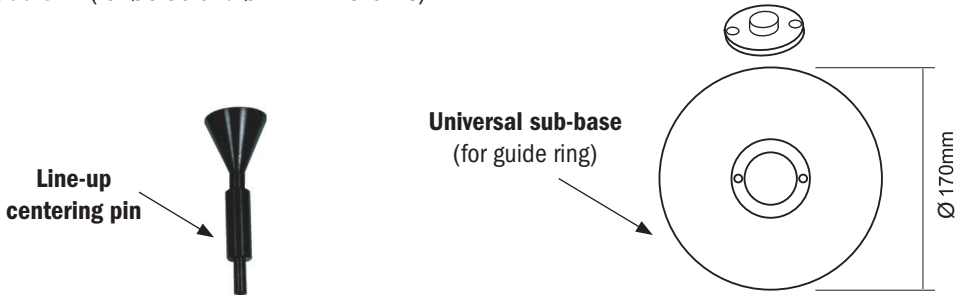
In the event that it is impossible to install the guide ring on the router being used (due to limitations in dimension), a universal sub-base (supplied separately) is available.

This sub-base has an external diameter of 170mm. It is supplied with a line-up/centering pin to permit a correct fit to the router.

Optional universal sub-base supplied separately

CMT300-SB1 (for Ø8 and Ø12mm shanks)

CMT300-SB2 (for Ø6.35 and Ø12.7mm shanks)



Once the guide is installed on the router, a CMT dovetail bit can be fitted for machining the wood.

4) Using the CMT300 with a standard CMT300-T128 template

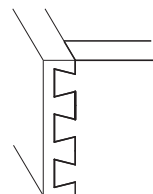
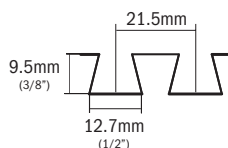
The **CMT300** system is supplied with a standard template (**CMT300-T128**), with which 12.7mm half-blind dovetail joints can be machined using a normal CMT dovetail bit (purchased separately).

Bits that can be used with the standard **CMT300-T128** template:

718.127.11 (Ø6mm shank)

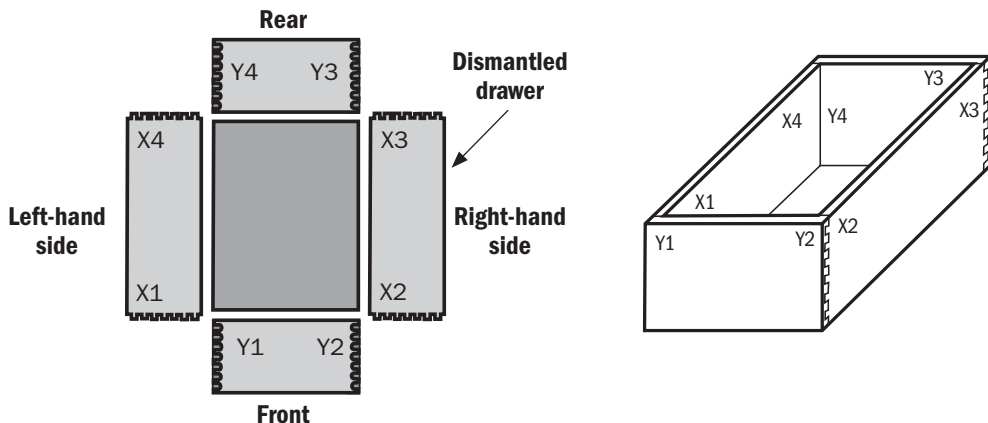
818.128.11 (Ø6.35mm shank)

918.127.11 (Ø8mm shank)



Half-blind dovetail joint
(**CMT300-T128**)

Example of making a drawer with a standard CMT300-T128 template:

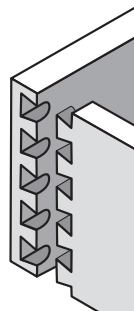
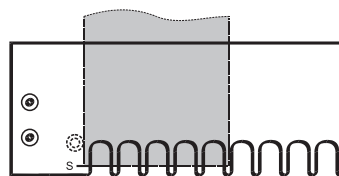
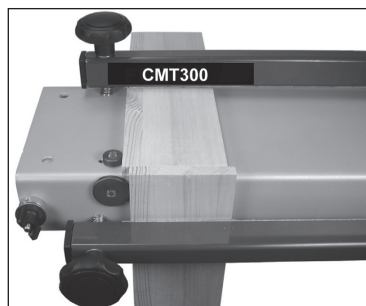


With each pass of the router on the board edge, a complete assembly is machined (X1 con Y1, X2 with Y2...), so to make a complete drawer, four work cycles must be carried out.

Positioning the wood parts and machining:

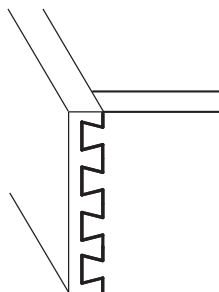
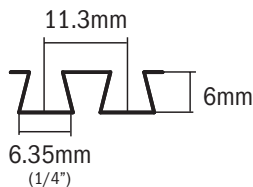
- 1) Place the wood part (X1, X2....) vertically against the small positioning buffer and clamp it sufficiently with the bar to ensure it does not slip.
- 2) Place the wood part (Y1, Y2....) horizontally against the small positioning buffer and clamp it sufficiently with the bar to ensure it does not slip.
- 3) Level the two pieces of wood.
- 4) Tighten the clamping bar of the vertical part completely.
- 5) Tighten the clamping bar of the horizontal part completely.
- 6) Position the template and tighten the nuts that hold it in place.

- 7) Move up to and away from the workpiece from the front - not from above - to avoid the risk of missing the guide and ruining the joint.
- 8) Position the router and follow the profile of the template to carry out the machining.
- 9) The first assembly is finished - repeat the previous procedure as often as required.



5) Optional CMT300-T064 template

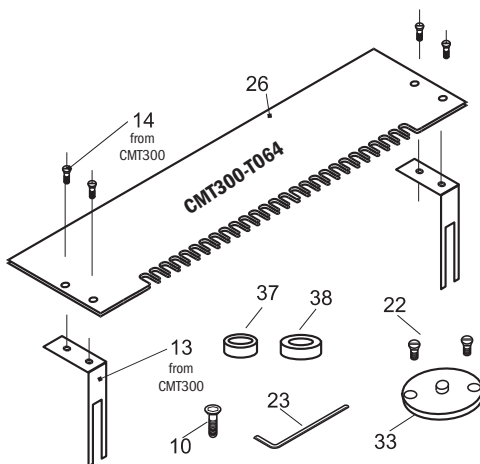
The **CMT300-T064** template is optional and allows you to make mini half-blind dovetail joints.



Mini half-blind dovetail joints
(CMT300-T064)

Contents of the CMT300-T064 package:

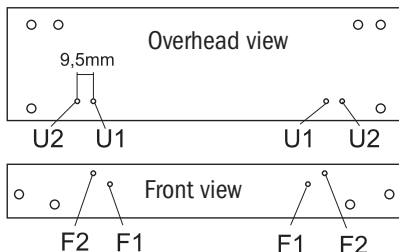
- 26) CMT300-T064** template
- 14)** Four M4x8mm screws
- 37)** Two Ø15.8x6mm stop rings
- 38)** Two Ø28.6x4mm stop rings
- 10)** Four M4x16mm screws
- 33)** Ø7.8x4mm guide ring
- 22)** Two M5x8mm screws
- 23)** 2.5mm hex key



Mounting the template: this template is mounted in the same way as the standard model.

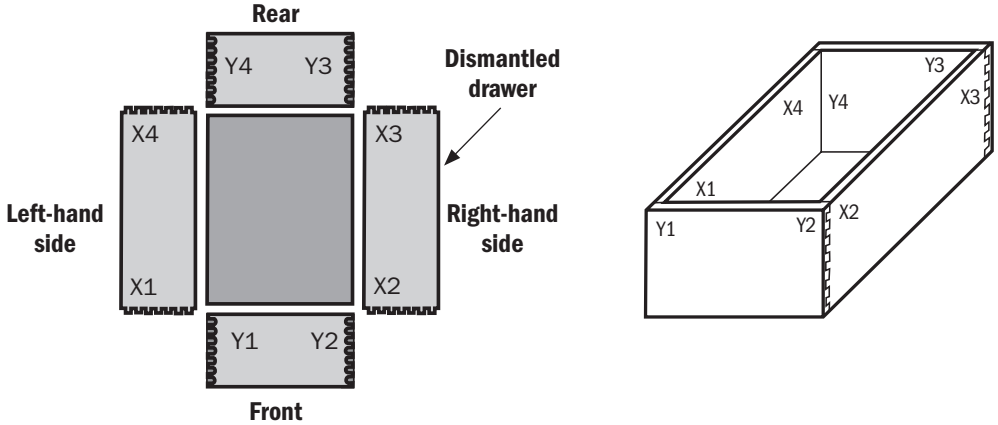
Remove the standard template from the **CMT300** system and replace it with the 26 template, fixing it on the supports (13 - included in the **CMT300** package), using the screws (14). The stop rings (37 and 38) replace those supplied as standard.

The 38 rings, which have a larger diameter than the 37 ones, are mounted on the front in F2, whereas the other 37 rings are mounted on the top part, in U1.



Fitting the guide ring: to use this template, it is necessary to dismantle the guide ring already on the router, and replace it with the other ring (33). Then mount a dovetail bit (718.060.11 with Ø6mm shank or 818.064.11 with Ø6.35mm shank) to carry out the machining.

Example of making a drawer with a standard CMT300-T064 template:

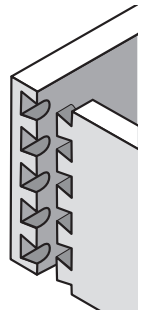
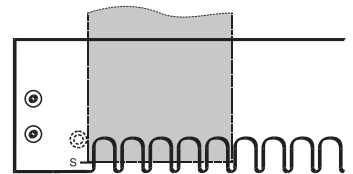
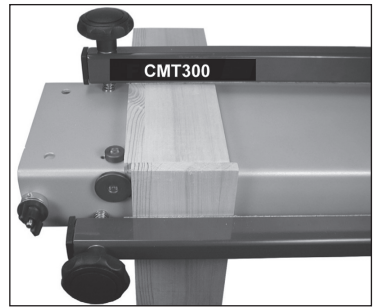


With each pass of the router, a complete assembly is machined on the workpiece (X1 with Y1, X2 with Y2...), so to make a complete drawer, four work cycles must be carried out.

Positioning the wood parts and machining:

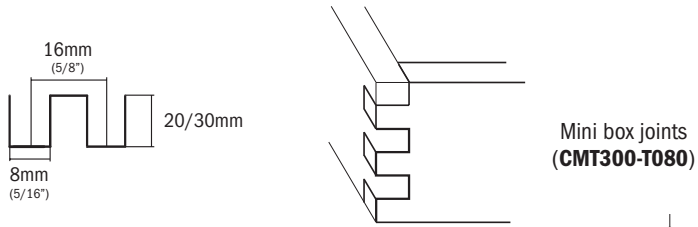
- 1) Place the wood part (X1, X2....) vertically against the small positioning buffer and clamp it sufficiently with the bar to ensure it does not slip.
- 2) Place the wood part (Y1, Y2....) horizontally against the small positioning buffer and clamp it sufficiently with the bar to ensure it does not slip.
- 3) Level the two pieces of wood.
- 4) Tighten the clamping bar of the vertical part completely.
- 5) Tighten the clamping bar of the horizontal part completely.
- 6) Position the template and tighten the nuts to hold it in place.

- 7) Move up to and away from the workpiece from the front - not from above - to avoid the risk of missing the guide and ruining the joint.
- 8) Position the router and follow the profile of the template to carry out the machining.
- 9) The first assembly is finished - repeat the previous procedure as often as required.



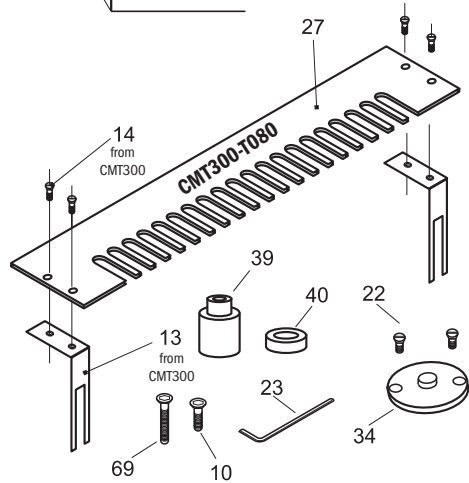
6) Optional CMT300-T080 template

The **CMT300-T080** template is optional and allows to make mini box joints

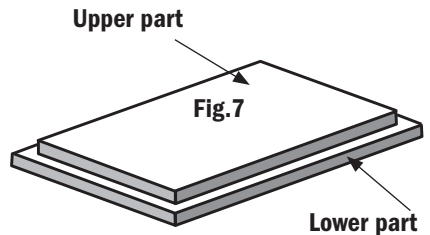
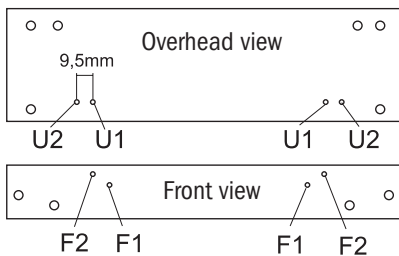


Contents of the CMT300-T080 package:

- 27) CMT300-T080 template
- 14) Four M5x8mm screws
- 39) Two Ø15x7/Ø21x18 stop rings
- 69) Two M4x35mm screws
- 40) Two Ø14x6mm stop rings
- 10) Two M4x16mm screws
- 34) Ø11.1x4 guide ring
- 22) Two M5x8mm screws
- 23) 2.5mm hex key



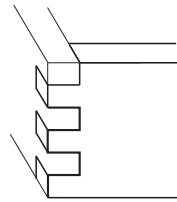
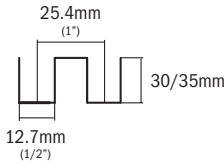
Mounting the template: this template is mounted in the same way as the standard model. Remove the standard template from the **CMT300** system and replace it with the other template (27), fixing it on the supports (13 - included in the **CMT300** package), using the screws (14). The stop rings (39 and 40) replace those supplied as standard. The two rings 39 are mounted on the front in F2, whereas the others (40) are fitted on the front in F1 and are only used for machining a particular structure, as can be seen in Fig. 7. In this case, the upper part of the wood is up against ring 40 and the lower part up against ring 39.



Fitting the guide ring: replace the guide ring already on the router with ring 33. Then mount a straight bit (881.081.11 with Ø6.35mm shank or 912.080.11 with Ø8mm shank), which will carry out the machining.

7) Optional CMT300-T127 template

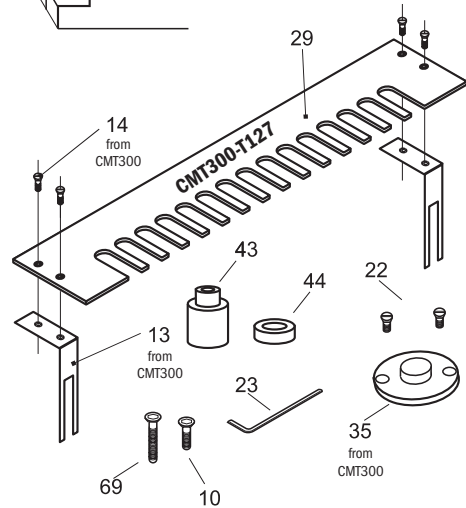
The **CMT300-T127** template can be purchased as an optional and enables to make box joints.



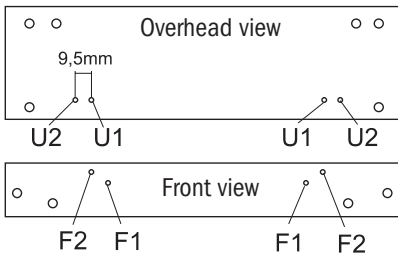
Box joints
(CMT300-T127)

Contents of the CMT300-T127 package:

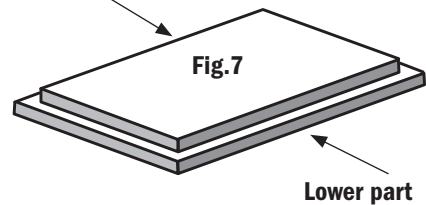
- 29) CMT300-T127 template
- 14) Four M4x8mm screws
- 43) Two Ø7.8x7/Ø17.2x24 stop rings
- 69) Two M4x40mm screws
- 44) Two Ø19.65x6mm stop rings
- 10) Two M4x16mm screws
- 23) 2.5mm hex key



Mounting the template: this template is mounted in the same way as the standard model. Remove the standard template from the **CMT300** system and replace it with template 29, fixing it on the supports (13 - included in the **CMT300** package), using the screws (14). The stop rings (43 and 44) replace those supplied as standard. The two (longer) rings (43) are mounted on the front in F2, whereas the others (44) are fitted on the front in F1 and only used for machining a particular structure, as can be seen in Fig.7. In this case, the upper part of the wood is up against ring 44 and the lower part up against ring 43.

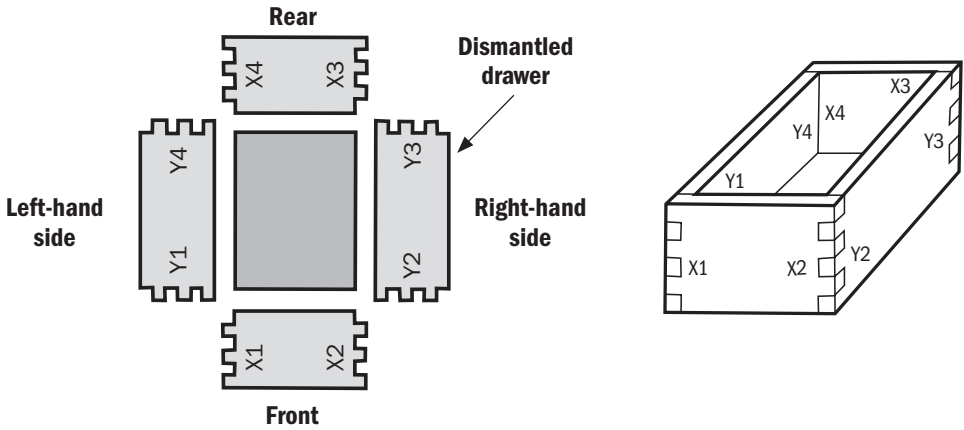


Upper part



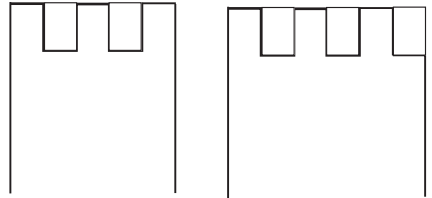
Fitting the guide ring: to use this template, it is necessary to mount the Ø15.8x4mm guide ring (35) already on the **CMT300**. Then mount a CMT straight bit (812.127.11 with Ø6.35mm shank, 912.127.11 with Ø8mm shank or 812.627.11 with Ø12.7mm shank), which will carry out the machining.

Example of making a drawer with CMT300-T080 and CMT300-T127 template:

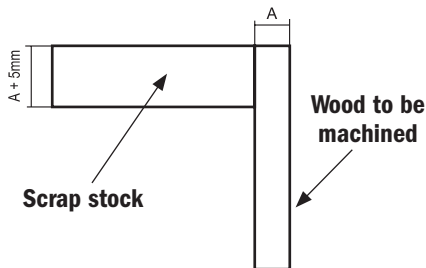


With each machining run, an assembly is made (X1, X2..., Y1 Y2), so, to make a complete drawer, eight machining cycles have to be carried out.

With these two templates, two types of joints can be made, as can be seen in the following illustrations.

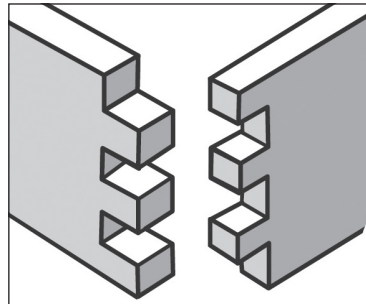


For the machining, a piece of scrap stock 5mm thicker than the piece to be machines must be placed horizontally. This piece of wood used horizontally is only used to support the vertical part to be machined.



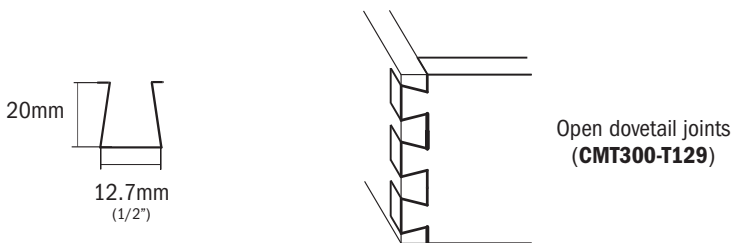
Positioning the wood parts and machining:

- 1) Place the wood part (X1..., Y2....) vertically against the small positioning buffer and clamp it sufficiently with the bar to ensure it does not slip.
- 2) Place the piece of scrap stock horizontally and push it against the vertical piece.
- 3) Match the ends of the two pieces of wood.
- 4) Tighten the clamping bar of the vertical part completely.
- 5) Tighten the clamping bar of the horizontal part completely.
- 6) Position the template and tighten the nuts to hold it in place.
- 7) Move up to and away from the workpiece from the front - not from above - to avoid the risk of missing the guide and ruining the joint.
- 8) Position the router and follow the profile of the template to carry out the machining.
- 9) The first assembly is finished - repeat the previous procedure as often as required.



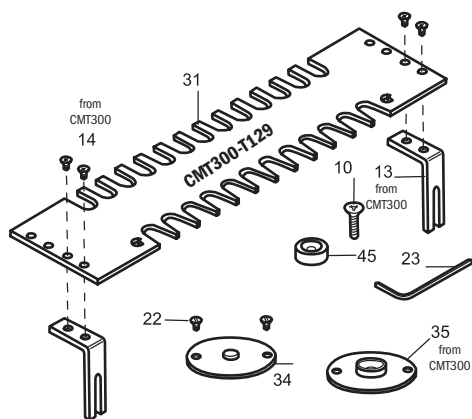
8) Optional CMT300-T129 template

The **CMT300-T129** template can be purchased as an optional and enables to make 12.7x20mm open dovetail joints.

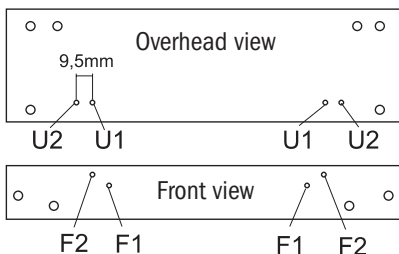


Contents of the CMT300-T129 package:

- 31) CMT300-T129** template
- 14) Four M4x8mm** screws
- 44) Two Ø21.85x6mm** stop rings
- 14) Two M4x16mm** screws
- 34) Ø11.1x4mm** guide ring
- 22) Two M5x8mm** screws
- 23) 2.5mm** hex key



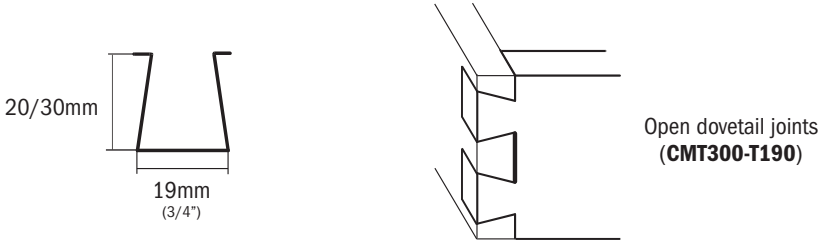
Mounting the template: this new template is mounted in the same way as the standard model. Remove the standard template from the **CMT300** system and replace it with template 31, fixing it on the supports (13 - included in the **CMT300** package), using the screws (14). The stop rings (45) replace those supplied as standard and are mounted on the front in F2.



Mounting the guide ring: it can be seen that this template has two sides, as the joint is made using two bits: one for each side of the template. On the first (straight) side, the Ø12.7 dovetail bit (818.129.11 with Ø6.35mm shank or 918.129.11 with Ø8mm shank) will be used, with the standard Ø15.8x4mm guide ring (supplied with the **CMT300**), whereas on the other (dovetail) side, the Ø8mm straight bit (811.081.11 with Ø6.35mm shank or 912.080.11 with Ø8mm shank) will be used with Ø11.1x4mm ring (34), supplied with the template.

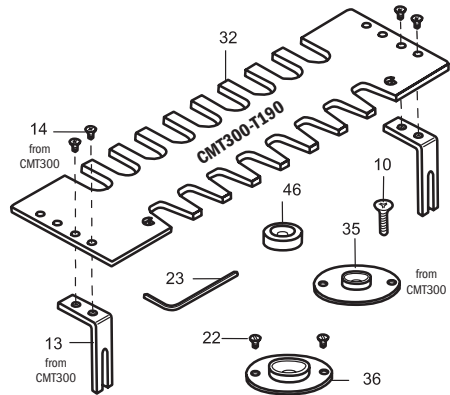
9) Optional CMT300-T190 template

The **CMT300-T190** template can be purchased as an optional and enables to make 19x22mm open dovetail joints.

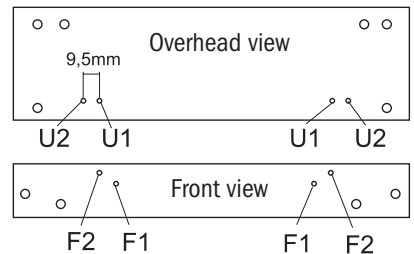


Contents of the CMT-T190 package:

- 32) CMT300-T190** template
- 14) Four M4x8mm** screws
- 46) Two Ø16.3x6mm** stop rings
- 10) Two M4x16mm** screws
- 36) Ø22x4mm** guide ring
- 22) Two M5x8mm** screws
- 23) 2.5mm** hex key

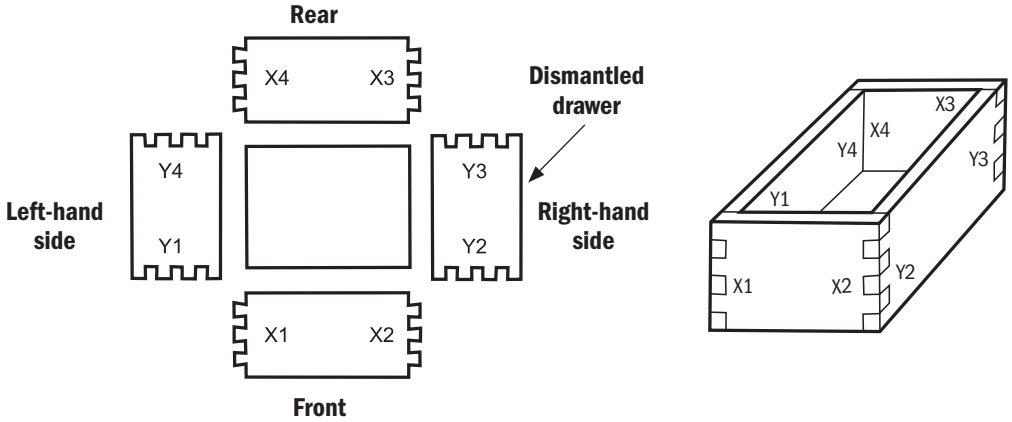


Assembling the template: this template is mounted in the same way as the standard model. Remove the standard template from the **CMT300** system and replace it with template 32, fixing it on the supports (13 - included in the **CMT300** package), using the screws (14). The stop rings (46) replace those supplied as standard and are mounted on the front in F2.



Mounting the guide ring: it can be seen that this template has two sides, as the joint is made using two bits: one for each side of the template. On the first (straight) side, the Ø19mm dovetail bit (718.190.11 Ø6mm shank - 818.190.11 Ø6.35mm shank - 918.190.11 Ø8mm shank - 918.690.11 Ø12mm shank - 818.690.11 Ø12.7mm shank) will be used, with the Ø22x4mm guide ring (36) supplied with the template, whereas on the other (dovetail) side, the Ø12.7mm straight bit (812.127.11 Ø6.35mm shank - 912.127.11 Ø8mm shank - 811.627.11 Ø12.7mm shank) will be used with the standard Ø15.8x4mm ring, supplied with the template.

Example of making a drawer with CMT300-T129 and CMT300-T190 template:



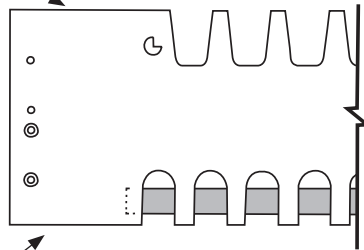
With each completed run, an assembly is made (X1, X2..., Y1 Y2...), so to make a complete drawer, eight work cycles must be carried out.

Using the two sides:

The first part of the template (with the straight slots) enables to make the X-axis cuts (X1, X2...), using a CMT dovetail bit and the corresponding guide ring.

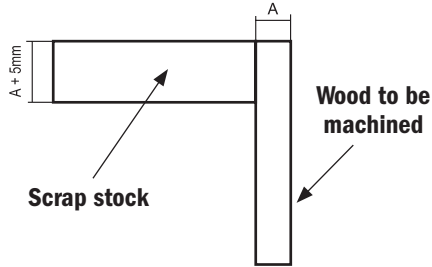
The second (dovetail) part of the template enables to make the Y-axis cuts (Y1, Y2...), using a CMT straight bit and the corresponding guide ring.

Second side of the template
(to be used with the straight bit)



First side of the template
(to be used with the dovetail bit)

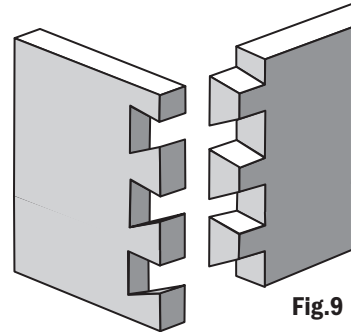
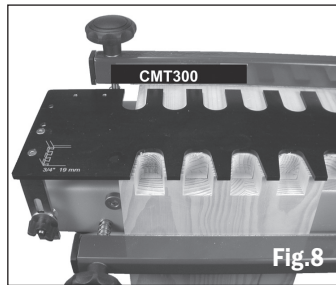
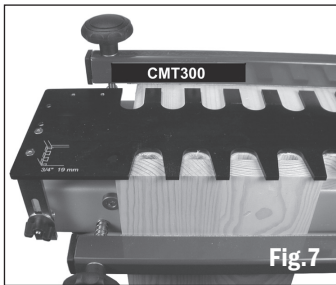
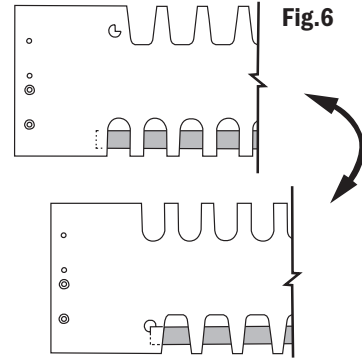
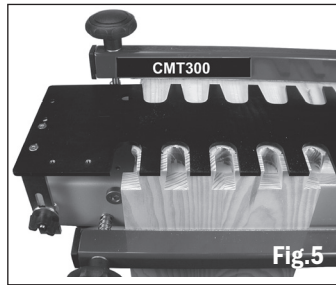
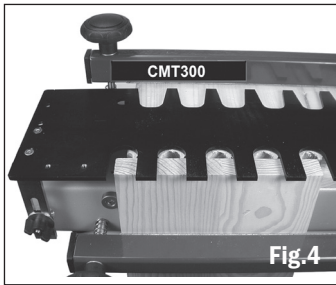
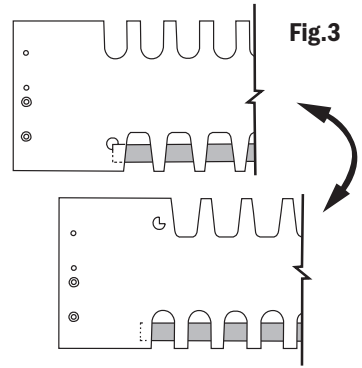
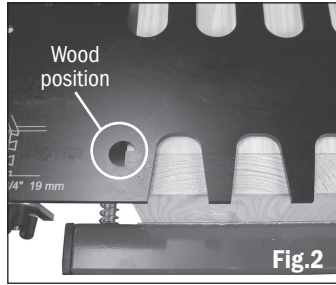
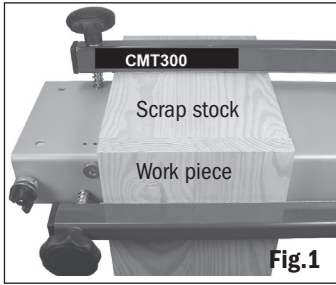
For the machining the wood components, a piece of scrap stock necessary for the machining (which will later be thrown away) that is 5mm thicker than the piece to be machined must be placed horizontally. This scrap stock is a piece of wood required to hold the vertical part to be machined steady.



Positioning the wood parts and machining:

- 1) Place the wood part X1 vertically against the small positioning buffer and clamp the bar sufficiently to ensure it does not slip.
- 2) Place the scrap stock horizontally and push it against the vertical piece.
- 3) Match the ends of the two pieces of wood.
- 4) Tighten the clamping bar of the vertical part completely.
- 5) Tighten the clamping bar of the horizontal part completely.
- 6) Place the template on its second (dovetail) side and check in the small hole in the template that the two pieces are well matched.
- 7) Turn the template on to the first side (with the straight slots). Make certain to use the correct guide ring and the CMT dovetail bit.
- 8) Move up to and away from the workpiece from the front - not from above - to avoid the risk of missing the guide.
- 9) Position the router and follow the profile of the template to carry out the machining.
- 10) The first assembly is finished - repeat the previous procedure to make all X-axis cuts.
- 11) Remove the template and leave the scrap stock in place.
- 12) Place the wood part (Y1) vertically against the small positioning buffer and clamp the bar sufficiently to ensure it does not slip.
- 13) Match the ends of the two pieces of wood.
- 14) Tighten the clamping bar of the vertical part completely.
- 17) Turn the template on to the second (dovetail) side. Make certain to use the correct guide ring and the CMT straight bit.
- 16) Move up to and away from the workpiece from the front - not from above - to avoid the risk of missing the guide.
- 17) Position the router and follow the profile of the template to carry out the machining.
- 18) The first assembly is finished - repeat the previous procedure for the rest of the joints to be made.

The following page has some illustrations that help to better understand the stages described above.



10) Conclusions:

You have just assembled and used the **CMT300** system. In addition to these instructions, there is the commercial documentation of the items and relative code numbers of the **CMT300** system. In particular, there are the optional templates, the description of the bits use and the relative code numbers.

We hope you enjoy working with the **CMT300** system.

ÍNDICE	página
1) Contenido del embalaje	20
2) Montaje del CMT300	21
3) Instalación de la electrofresadora	23
4) Utilización del CMT300 y plantilla estándar CMT300-T128	23
5) Plantilla opcional CMT300-T064	25
6) Plantilla opcional CMT300-T080	27 - 29 - 30
7) Plantilla opcional CMT300-T127	28 - 29 - 30
8) Plantilla opcional CMT300-T129	31 - 33 - 34 - 35
9) Plantilla opcional CMT300-T190	32 - 33 - 34 - 35
10) Conclusiones	35

Le agradecemos la compra de nuestros productos y le deseamos buen trabajo.

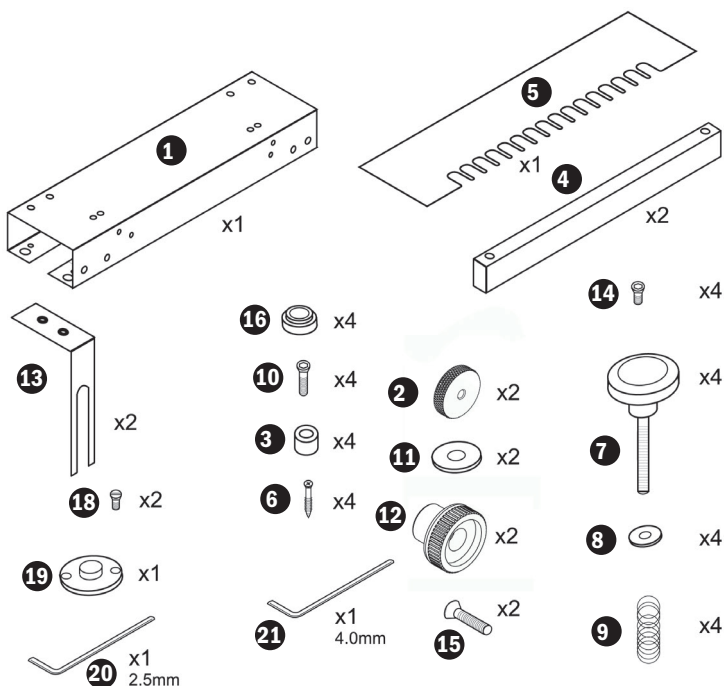
Que sea Ud. un profesional o no, con nuestro sistema de empalme universal podrá crear fácil y rápidamente cualquier tipo de encaje.

Este sistema puede adaptarse a cualquier tipo de electrofresadora gracias a la base universal especial de PETG transparente (suministrada a parte).

1. Contenido del embalaje

Al abrir el embalaje, encontrará las piezas siguientes:

No.	Código	Cant.
1	CMT300-01	1
2	CMT300-02	2
3	CMT300-03	4
4	CMT300-04	2
5	CMT300-T128	1
6	CMT300-06	4
7	CMT300-07	4
8	CMT300-08	4
9	CMT300-09	4
10	CMT300-10	4
11	CMT300-11	2
12	CMT300-12	2
13	CMT300-13	2
14	CMT300-14	4
15	CMT300-15	2
16	CMT300-16	4
18	CMT300-18	2
19	899.005.00	1
20	991.062.00	1
21	991.064.00	1



2) Montaje del CMT300

Fig. 1: La primera operación consiste en sujetar el **CMT300** sobre el banco. Para hacerlo tiene a disposición cuatro tornillos autorroscantes.

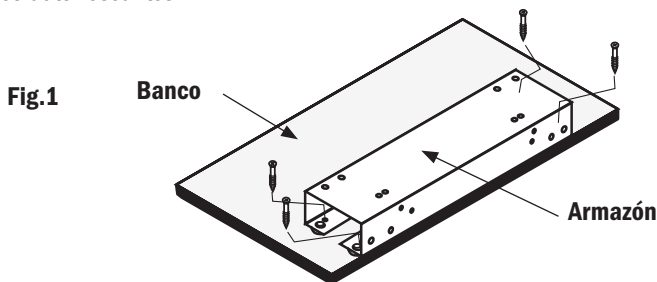


Fig. 2: Este esquema le permite entender cómo montar los elementos que servirán para ajustar el posicionamiento de la plantilla. Primero, hay que enroscar el tornillo 15 en el agujero del cuerpo utilizando la llave Allen (suministrada) y apretándola cuidadosamente, enrosque por el otro lado la tuerca de sujeción 2, ponga luego la arandela 11 y apriete la tuerca 12 manualmente. Repita esta operación en el lado opuesto del cuerpo.

Las piezas 3 y los tornillos 10 sirven para posicionar la pieza de madera. Enrosque los toques 3 al cuerpo 1 utilizando los tornillos 10. Coloque los toques en las posiciones U1 en la parte superior del dispositivo y F1 en la parte anterior del mismo.

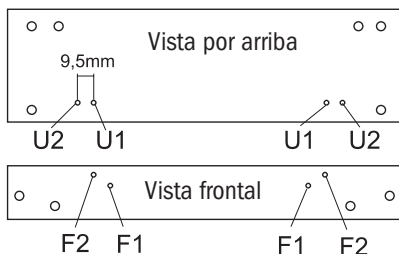
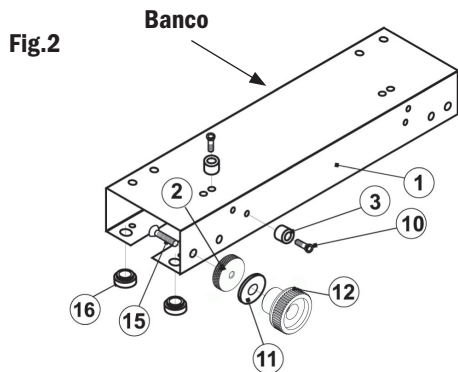


Fig. 3: Este esquema le permite montar la plantilla 5. Fije sobre el mismo los dos soportes ajustables 13 con los cuatro tornillos 14.

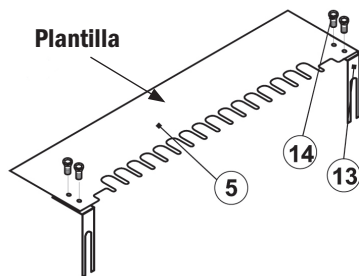


Fig. 4: Este esquema le ilustra cómo instalar las barras que le permitirán mantener en posición la pieza de madera que trabajar. Sobre estas barras podrá notar un revestimiento de papel lija. Éste permite una adherencia mejor y por lo tanto una sujeción mejor de la madera durante el trabajo.

Introduzca los dos tornillos con volante de l6bulo en las arandelas 8, la barra 4 y el muelle 9. Ahora, s6lo le queda que enroscar los dos tornillos con volante de l6bulo en los agujeros roscados. Repita esta operaci6n para la barra anterior.

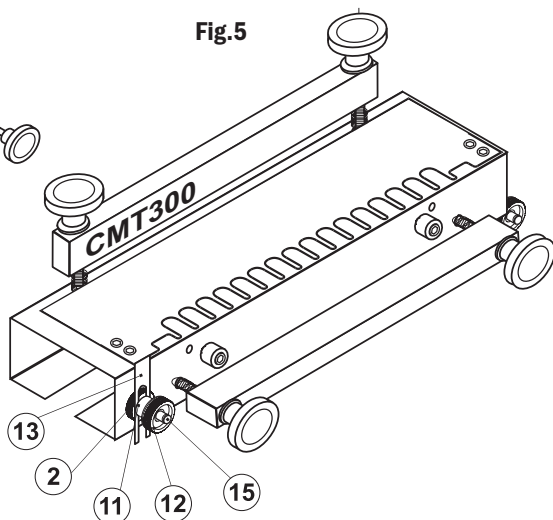
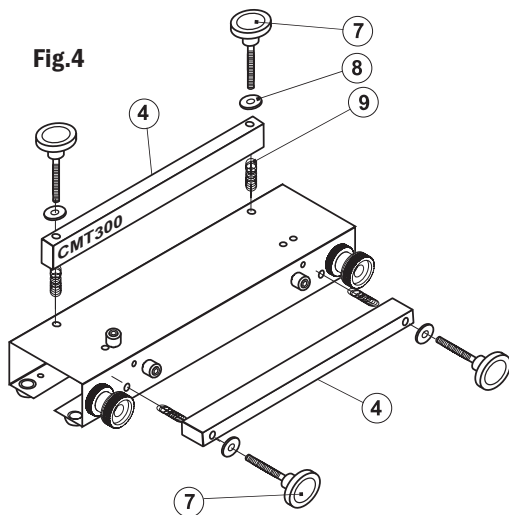
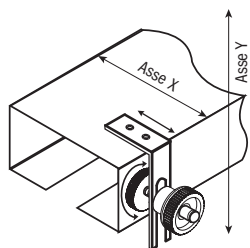


Fig. 6



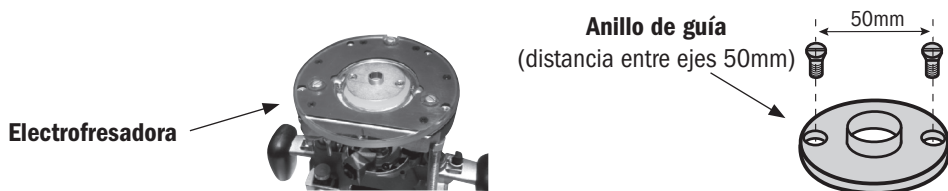
Ajuste de la plantilla

Fig. 5: Finalmente, coloque la plantilla sobre el cuerpo del dispositivo **CMT300**. Para hacerlo, es suficiente introducir los soportes 13 entre las partes 2 y 11.

Fig. 6: Despu6s de colocada en posici6n la plantilla, puede ajustarla de acuerdo con los dos ejes, en X o en Y. Es suficiente apretar o aflojar la tuerca de tope 2 para variaciones en X y levantar o bajar las gu6as 13 para ajustes en Y. Despu6s de efectuado el ajuste, apriete la tuerca 12 para la fijaci6n. Es ahora cuando ha terminado el montaje.

3) Instalación de la electrofresadora

Para utilizar el sistema **CMT300** es necesaria una electrofresadora, sobre la cual se tiene que instalar el anillo de guía, que permite pilotear la máquina sobre la plantilla.



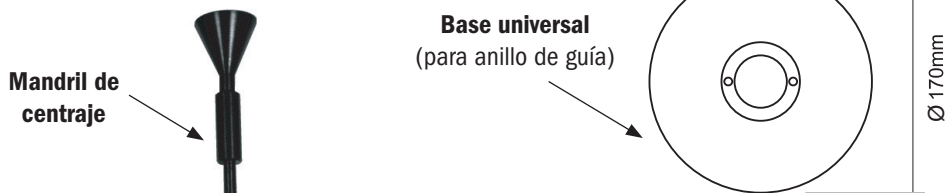
Si el anillo de guía no se pudiera instalar sobre su electrofresadora (por razones de tamaño), es posible conseguir una base universal (suministrada a parte).

Esta base tiene un diámetro exterior de 170mm y está provista de un mandril de centraje para poderla instalar correctamente sobre su electrofresadora.

Base universal “opcional” suministrada a parte

CMT300-SB1 (para enganche Ø8 y Ø12mm)

CMT300-SB2 (para enganche Ø6,35 y Ø12,7mm)



Después de instalada la guía sobre la electrofresadora, podrá montar una fresa con cola de milano CMT que realizará la elaboración de su madera.

4) Utilización del CMT300 con plantilla estándar CMT300-T128

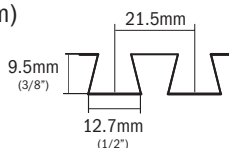
Junto con el sistema **CMT300** se suministra una plantilla estándar (**CMT300-T128**), con la cual podrá realizar empalmes de cola de milano semicultados de 12,7mm utilizando una simple fresa de cola de milano CMT que es posible comprar a parte.

Fresas que se pueden utilizar con plantilla estándar **CMT300-T128**:

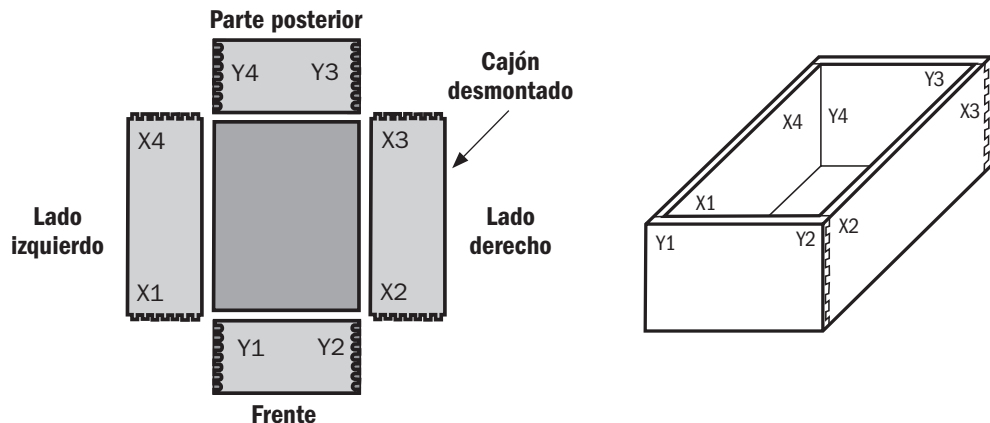
718.127.11 (enganche Ø6mm)

818.128.11 (enganche Ø6.35mm)

918.127.11 (enganche Ø8mm)



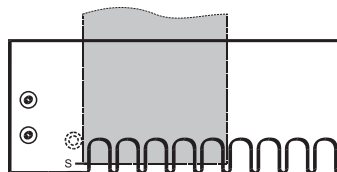
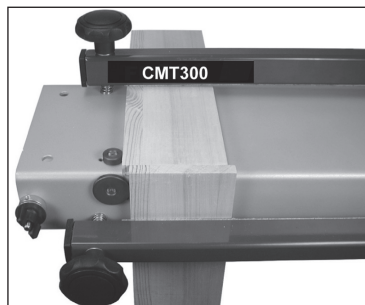
Ejemplo de realización de un cajón con plantilla estándar CMT300-T128:



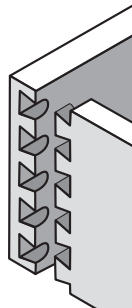
A cada pasada de la electrofresadora sobre el perfil, se habrá realizado un empalme completo (X1 con Y1, X2 con Y2...), para hacer un cajón entero será necesario efectuar 4 ciclos de elaboración.

Colocación de las piezas de madera y su elaboración:

- 1) Ponga la pieza de madera (X1, X2....) en posición vertical contra el pequeño paragolpes de posicionamiento y la apriete de forma suficiente con la barra, de modo que no deslice.
- 2) Ponga la pieza de madera (Y1, Y2....) en posición horizontal contra el pequeño paragolpes de posicionamiento y la apriete contra la parte vertical.
- 3) Nivele las dos piezas de madera.
- 4) Apriete de forma definitiva la barra de sujeción de la parte vertical.
- 5) Apriete de forma definitiva la barra de sujeción de la parte horizontal.
- 6) Coloque la plantilla y apriete las tuercas para mantenerla en posición.

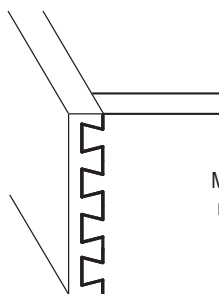
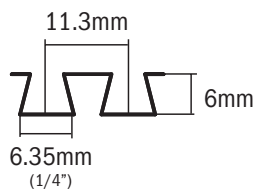


- 7) Se acerque y aleje de la pieza desde adelante y no desde arriba, para evitar el riesgo de fallar la guía y estropear el empalme.
- 8) Una vez posicionada la electrofresadora, siga el perfil de la plantilla para realizar su elaboración.
- 9) Su primer ensamblado ha terminado, repita las operaciones precedentes tantas veces como sea necesario.



5) Plantilla "opcional" CMT300-T064

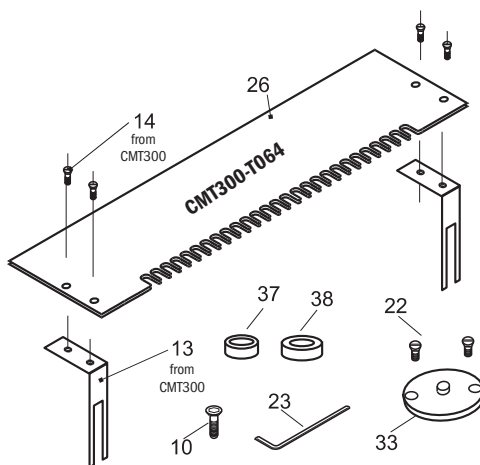
Es posible comprar como "opcional" la plantilla **CMT300-T064** que le permitirá realizar mini encajes de cola de milano semicultados.



Mini encajes de cola de milano semicultados.
(CMT300-T064)

1) Contenido del CMT300-T064:

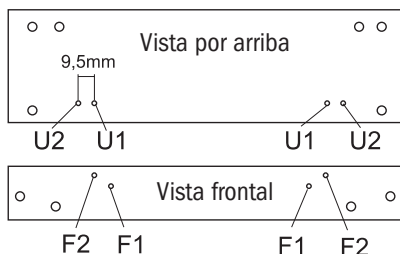
- 26) Plantilla **CMT300-T064**
- 14) No.4 tornillos M4x8mm
- 37) No.2 Anillos de tope Ø15,8x6mm
- 37) No.2 Anillos de tope Ø28,6x4mm
- 10) No.4 tornillos M4x16mm
- 33) Anillo de guía Ø7,8x4mm
- 22) No.2 tornillos M5x8mm
- 23) Llave hexagonal 2,5mm



Montaje de la plantilla: esta plantilla se monta como aquélla estándar.

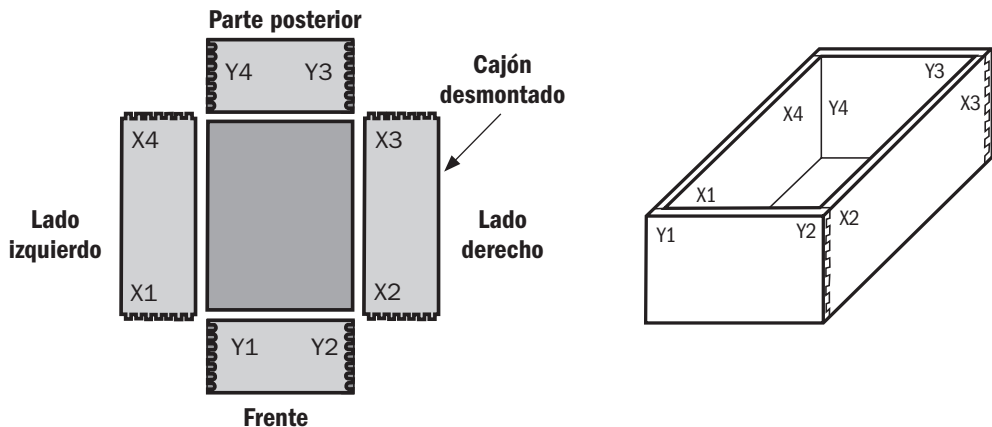
Desmante del sistema de empalme CMT la plantilla estándar y la reemplace por la plantilla 26, sujetándola sobre los soportes 13 (suministrados junto con el **CMT300**) utilizando los tornillos 14. Los anillos de tope 37 y 38 sustituyen los que vienen con el dispositivo estándar.

Los anillos 38, que tienen un diámetro superior que los 37, se montan frontalmente en F2, mientras que los 37 tienen que montarse en la parte superior en U1.



Montaje de anillo de guía: para utilizar esta plantilla, tendrá que desmontar el anillo de guía ya montado en su electrofresadora y reemplazarlo por el anillo 33. Luego, monte una fresa de cola de milano (718.060.11 con enganche Ø6mm o bien 818.064.11 con enganche Ø6,35mm) que servirá para realizar la elaboración sobre la madera.

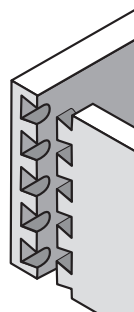
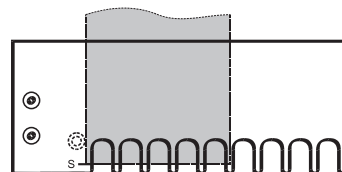
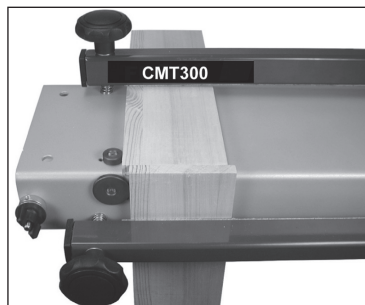
Ejemplo de realización de un cajón con plantilla estándar CMT300-T064:



A cada pasada de la electrofresadora sobre el perfil, habrá realizado un empalme completo (X1 con Y1, X2 con Y2...), para hacer un cajón entero será necesario efectuar 4 ciclos de elaboración.

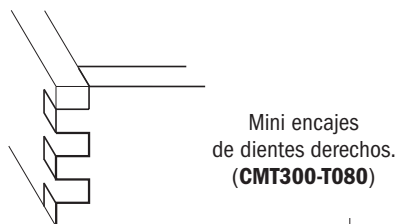
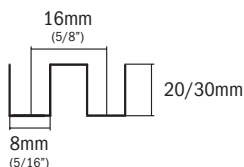
Colocación de las piezas de madera y su elaboración:

- 1) Ponga la pieza de madera (X1, X2....) en posición vertical contra el pequeño paragolpes de posicionamiento y la apriete de forma suficiente con la barra de modo que no deslice.
- 2) Ponga la pieza de madera (Y1, Y2....) en posición horizontal contra el pequeño paragolpes de posicionamiento y la apriete contra la parte vertical.
- 3) Nivele las dos piezas de madera.
- 4) Apriete de forma definitiva la barra de sujeción de la parte vertical.
- 5) Apriete de forma definitiva la barra de sujeción de la parte horizontal.
- 6) Coloque la plantilla y apriete las tuercas para mantenerla en posición.
- 7) Se acerque y aleje de la pieza desde adelante y no desde arriba, para evitar el riesgo de faltar la guía y estropear el empalme.
- 8) Una vez posicionada la electrofresadora, siga el perfil de la plantilla para realizar su elaboración.
- 9) Su primer ensamblado ha terminado, repita las operaciones precedentes tantas veces como sea necesario.



6) Plantilla "opcional" CMT300-T080

Es posible comprar como "opcional" la plantilla **CMT300-T080** que le permitirá realizar mini encajes de dientes derechos.



1) Contenido del CMT300-T080:

27) Plantilla **CMT300-T080**

14) No.4 tornillos M4x8mm

39) No.2 Anillos de tope Ø15x7/Ø21x18

69) No.2 tornillos M4x35mm

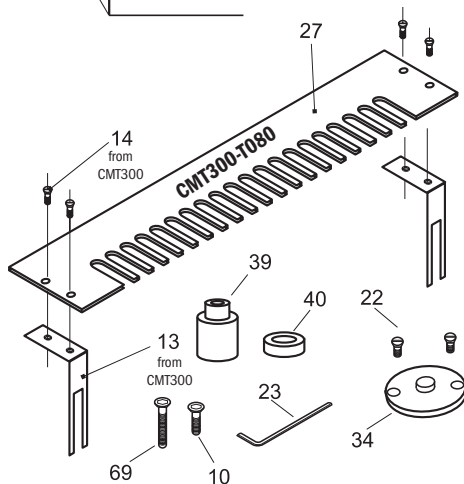
40) No.2 Anillos de tope Ø14x6mm

10) No.2 tornillos M4x16mm

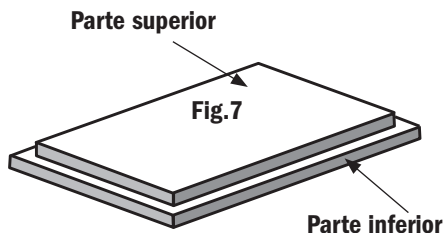
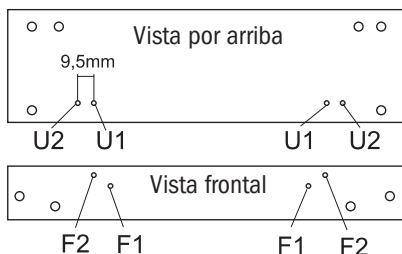
34) Anillo de guía Ø11,1x4

22) No.2 tornillos M5x8mm

23) Llave hexagonal 2,5mm



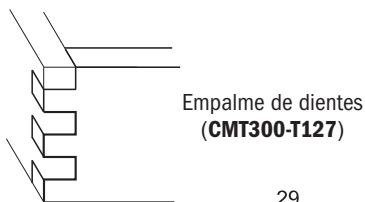
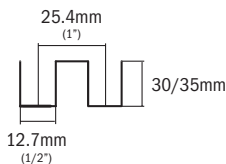
Montaje de la plantilla: esta plantilla se monta como aquélla estándar. Desmonte del sistema de empalme **CMT300** la plantilla estándar y la reemplace por la plantilla 27, sujetándola sobre los soportes 13 (suministrados junto con el **CMT300**) utilizando los tornillos 14. Los anillos de tope 39 y 40 sustituyen los que vienen con el dispositivo estándar. Los anillos 39 se montan frontalmente en F2, mientras que los 40 se fijan frontalmente en F1 y sirven sólo para la elaboración de una estructura particular, como se puede apreciar en la Fig. 7. En este caso, la parte superior de la madera va a tropezar contra el anillo 40 y la parte inferior da contra el anillo 39.



Montaje del anillo de guía: reemplace el anillo de guía presente en su electrofresadora por el anillo 34. Luego, monte una fresa derecha (811.081.11 con enganche Ø6,35mm - 912.080.11 con enganche Ø8mm) que servirá para realizar el trabajo sobre la madera.

7) Plantilla "opcional" CMT300-T127

Es posible comprar como "opcional" la plantilla **CMT300-T127**, que le permitirá realizar encajes de empalmes de dientes.



1) Contenido del CMT300-T127:

29) Plantilla **CMT300-T127**

14) No.4 tornillos M4x8mm

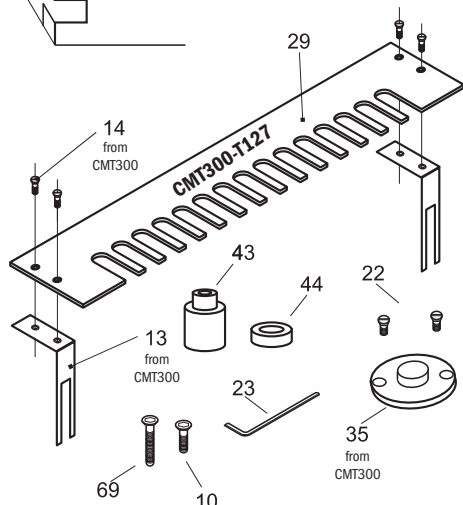
43) No.2 Anillos de tope Ø7,8x7/Ø17,2x24

69) No.2 tornillos M4x40mm

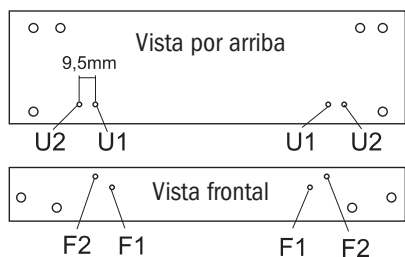
44) No.2 Anillos de tope Ø19,65x6mm

10) No.2 tornillos M4x16mm

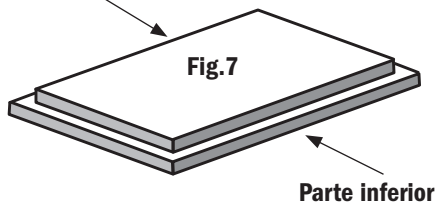
23) Llave hexagonal 2,5mm



Montaje de la plantilla: esta plantilla se monta como aquélla estándar. Desmonte del sistema de empalme **CMT300** la plantilla estándar y la reemplace por la plantilla 29, sujetándola sobre los soportes 13 (suministrados junto con el **CMT300**) utilizando los tornillos 14. Los anillos de tope 43 y 44 sustituyen los que vienen con el dispositivo estándar. Los anillos 43 (más largos), se montan frontalmente en F2, mientras que los 44 se fijan frontalmente en F1 y sirven sólo para la elaboración de una pieza de madera con forma particular, como se puede apreciar en la Fig. 7. En este caso, la parte superior de la madera da contra el anillo 44 y la parte inferior da contra el anillo 43.

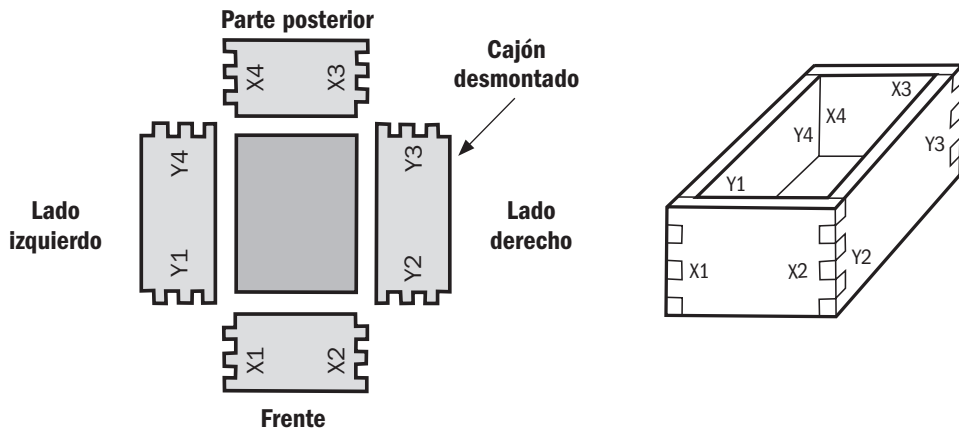


Parte superior



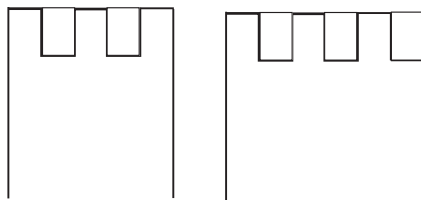
Montaje del anillo de guía: para la utilización de esta plantilla, será necesario montar el anillo de guía 35 (Ø15,8x4mm) ya presente en su **CMT300**. Luego, monte una fresa derecha CMT (812.127.11 con enganche Ø6,35mm - 912.127.11 con enganche Ø8mm - 812.627.11 con enganche Ø12,7mm) que servirá para realizar el trabajo sobre la madera.

Ejemplo de realización de un cajón con plantillas CMT300-T080 y CMT300-T127:

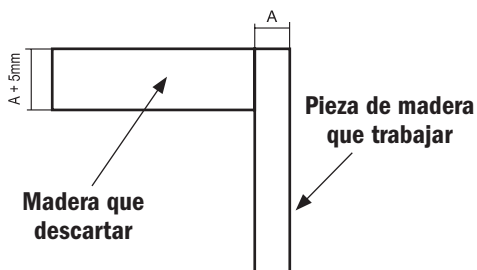


Cuando se realiza una elaboración, se realiza un ensamblado X1, X2..., Y1 Y2..., es decir que para hacer un cajón entero será necesario efectuar 8 ciclos de elaboración.

Con estas dos plantillas, es posible realizar dos tipos de encajes, como se puede ver en los dibujos siguientes.

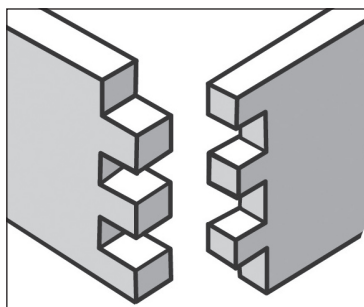
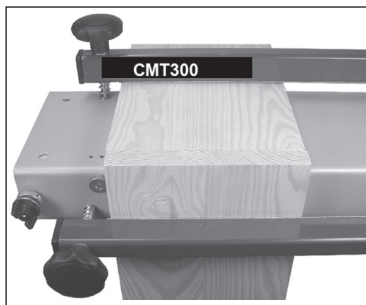


Para la elaboración, tiene que posicionar horizontalmente una pieza de maderá que luego se tirará, con un grosor de 5mm superior que la pieza que se tiene que trabajar. Esta pieza de madera horizontal sirve sólo como apoyo de la parte vertical que se vaya a trabajar.



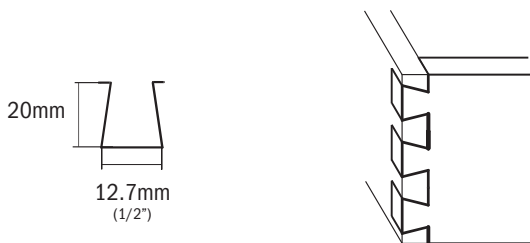
Colocación de las piezas de madera y su elaboración:

- 1) Ponga las piezas de madera (X1..., Y2....) en posición vertical contra el pequeño paragolpes de posicionamiento y las apriete de forma suficiente con la barra, de modo que no deslicen.
- 2) Ponga la pieza de madera que se va a tirar en posición horizontal y la empuje contra la pieza vertical.
- 3) Nivele la extremidad de las dos piezas de madera.
- 4) Apriete de forma definitiva la barra de sujeción de la parte vertical.
- 5) Apriete de forma definitiva la barra de sujeción de la parte horizontal.
- 6) Coloque la plantilla y apriete las tuercas para mantenerla en posición.
- 7) Se acerque con su electrofresadora desde adelante y no desde arriba, para evitar el riesgo de fallar la guía.
- 8) Una vez posicionada la electrofresadora, siga el perfil de la plantilla para realizar su elaboración.
- 9) Su primer ensamblado ha terminado, repita las operaciones precedentes tantas veces como sea necesario.



8) Plantilla "opcional" CMT300-T129

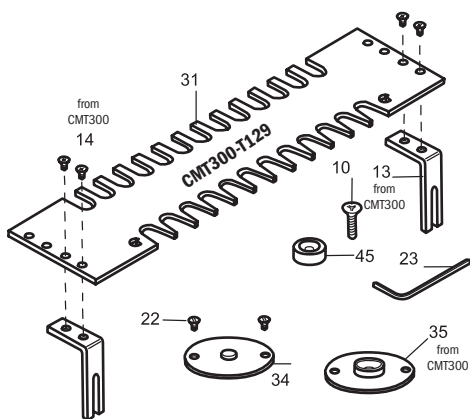
Es posible comprar como "opcional" la plantilla **CMT300-T129**, que le permitirá realizar mini encajes de cola de milano abierta de 12,7x20mm.



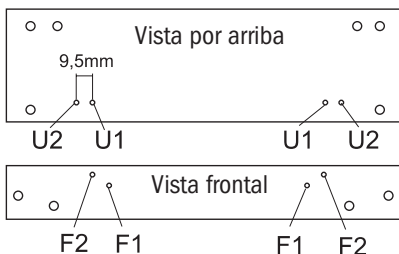
Encajes de cola de milano abierta
(CMT300-T129)

Contenido del CMT300-T129

- 31) Plantilla CMT300-T129**
- 14) No.4 tornillos M4x8mm**
- 45) No.2 Anillos de tope Ø21.85x6mm**
- 10) No.2 tornillos M4x16mm**
- 34) Anillo de guía Ø11,1x4mm**
- 22) No.2 tornillos M5x8mm**
- 23) Llave hexagonal 2,5mm**



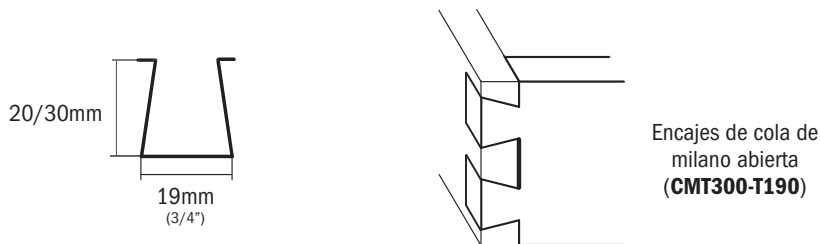
Montaje de la plantilla: esta plantilla se monta como aquella estándar. Desmonte del sistema de empalme **CMT300** la plantilla estándar y la reemplace por la plantilla 31, sujetándola sobre los soportes 13 (suministrados junto con el **CMT300**) utilizando los tornillos 14. Los anillos de tope 45 sustituyen los que vienen con el dispositivo estándar y se montan en posición frontal F2.



Montaje del anillo de guía: esta plantilla tiene dos lados, ya que el encaje se realiza utilizando dos fresas: una por cada lado de la plantilla. En el primer lado, el derecho, se utiliza la fresa de cola de milano de Ø12.7 (818.129.11 con enganche Ø6,35mm ó 918.129.11 con enganche Ø8mm) con el anillo de guía estándar Ø15,8x4mm (suministrado en el **CMT300**), mientras que en el otro lado de cola de milano se utilizará la fresa derecha de (811.081.11 con enganche Ø6,35mm ó 912.080.11 con enganche Ø8mm) con el anillo 34 (Ø11,1x4mm) suministrado con la plantilla.

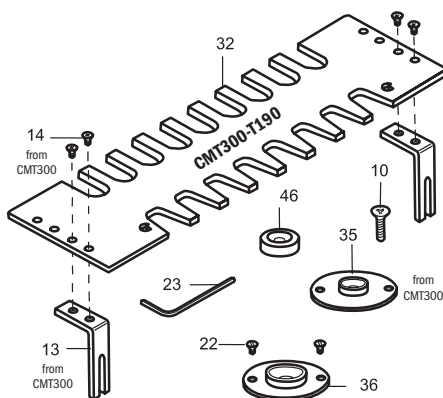
9) Plantilla "opcional" CMT300-T190

Es posible comprar como "opcional" la plantilla **CMT300-T190**, que le permitirá realizar mini encajes de cola de milano abierta de 19x22mm.

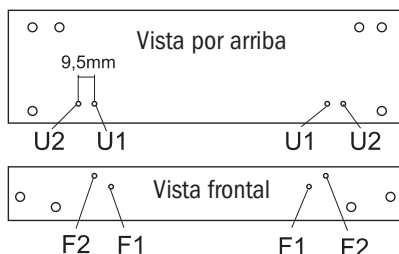


Contenido del CMT-T190

- 32)** Plantilla **CMT300-T190**
- 14)** No.4 tornillos M4x8mm
- 46)** No.2 Anillos de tope Ø16,3x6mm
- 10)** No.2 tornillos M4x16mm
- 36)** Anillo de guía Ø22x4mm
- 22)** No.2 tornillos M5x8mm
- 23)** Llave hexagonal 2,5mm

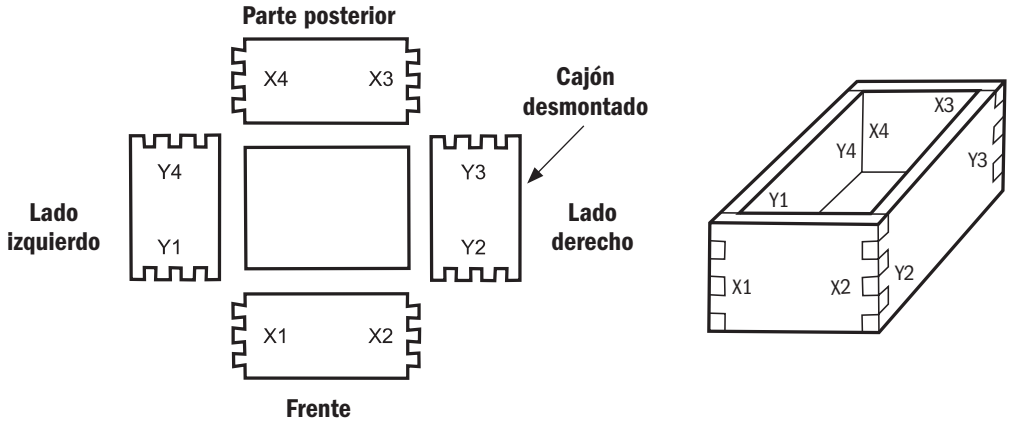


Montaje de la plantilla: esta plantilla se monta como aquella estándar. Desmonte del sistema de empalme **CMT300** la plantilla estándar y la reemplace por la plantilla 32, sujetándola sobre los soportes 13 (suministrados junto con el **CMT300**) utilizando los tornillos 14. Los anillos de tope 46 sustituyen los que vienen con el dispositivo estándar y se montan en posición frontal F2.



Montaje del anillo de guía: esta plantilla tiene dos lados, ya que el encaje se realiza utilizando dos fresas: una por cada lado de la plantilla. En el primer lado, el derecho, se utiliza la fresa de cola de milano de Ø19mm (718.190.11 enganche Ø6mm - 818.190.11 enganche Ø6,35mm - 918.190.11 enganche Ø8mm - 918.690.11 enganche Ø12mm - 818.690.11 enganche Ø12,7mm) con el anillo de guía 36 (Ø22x4mm) suministrado con la plantilla, mientras que en el otro lado de cola de milano se utilizará la fresa derecha de Ø12,7mm (812.127.11 enganche Ø6,35mm - 912.127.11 enganche Ø8mm - 811.627.11 enganche Ø12,7mm) con el anillo estándar (Ø15.8x4mm) suministrado con el **CMT300**.

Ejemplo de realización de un cajón con plantillas CMT300-T129 y CMT300-T190:



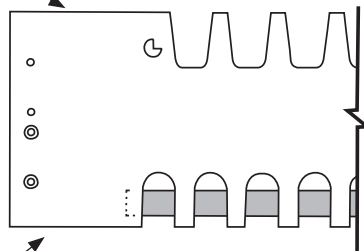
A cada pasada acabada, se habrá realizado un empalme X1, X2..., Y1 Y2..., por lo tanto, para hacer un cajón será necesario efectuar 8 ciclos de elaboración.

Utilización de los dos lados:

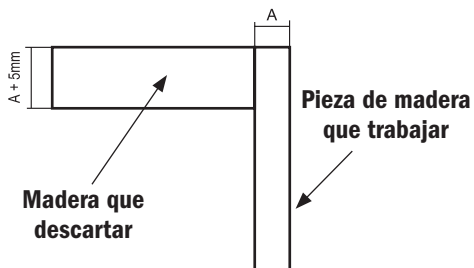
La primera parte de la plantilla (con canales derechos) permite realizar las X (X1, X2...), utilizando una fresa de cola de milano CMT y el anillo de guía correspondiente.
 La segunda parte de la plantilla (de cola de milano) permite realizar las Y (Y1, Y2...), utilizando una fresa derecha CMT y el anillo de guía correspondiente.

Segundo lado de la plantilla
 (que utilizar con la fresa derecha)

Primer lado de la plantilla
 (que utilizar con la fresa de cola de milano)



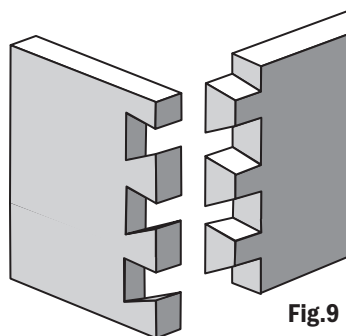
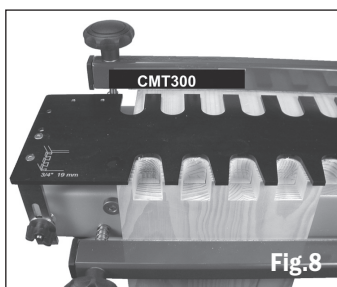
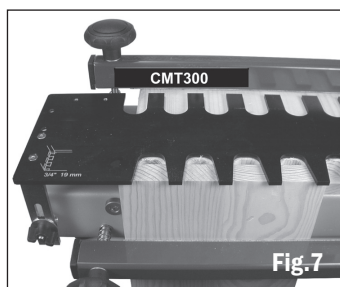
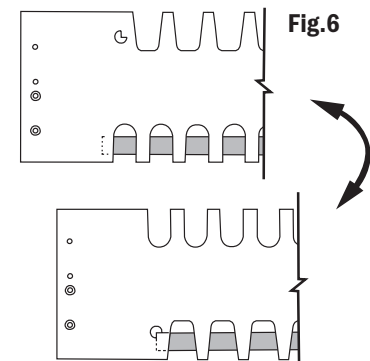
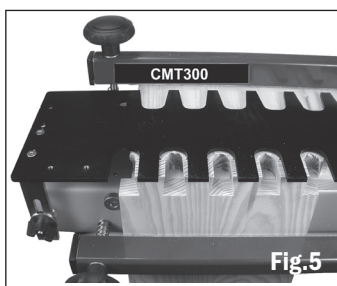
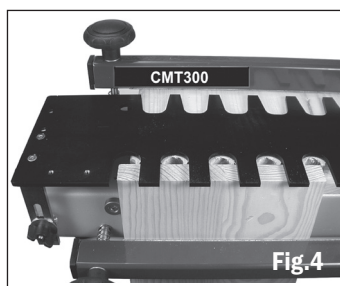
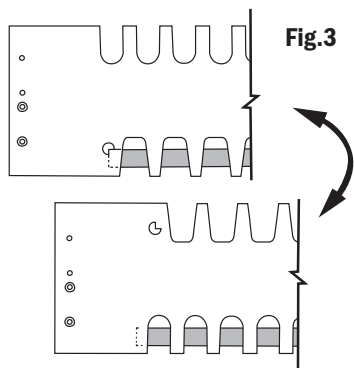
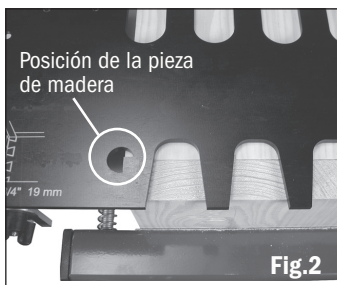
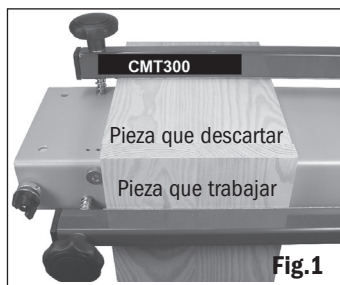
Para trabajar las piezas de madera, hay que posicionar horizontalmente una pieza de madera necesaria para la elaboración, que luego se tirará, con un grosor de 5mm superior que la pieza que se tiene que trabajar. Esta pieza de ayuda sirve para mantener a tope la parte vertical que se va a trabajar.



Colocación de las piezas de madera y su elaboración:

- 1) Ponga la pieza de madera X1 en posición vertical contra el pequeño paragolpes de posicionamiento y la apriete de forma suficiente con la barra, de modo que no deslice.
- 2) Ponga la pieza de madera de ayuda en posición horizontal y la empuje contra la pieza vertical.
- 3) Nivele la extremidad de las dos piezas de madera.
- 4) Apriete de forma definitiva la barra de sujeción de la parte vertical.
- 5) Apriete de forma definitiva la barra de sujeción de la parte horizontal.
- 6) Coloque la plantilla en su segundo lado (aquél en forma de cola de milano) y compruebe en el pequeño agujero de la plantilla que las dos piezas estén bien alineadas.
- 7) Gire la plantilla en el primer lado (aquél con los canales derechos). Cuide de utilizar el anillo de guía correcto y la fresa de cola de milano CMT.
- 8) Se acerque a la pieza desde adelante y no desde arriba, para evitar el riesgo de fallar la guía.
- 9) Una vez posicionada la electrofresadora, siga el perfil de la plantilla para realizar su elaboración.
- 10) Su primer ensamblado ha terminado, repita las operaciones precedentes para realizar todas las X.
- 11) Desmonte la plantilla y deje en su posición la pieza de ayuda.
- 12) Ponga la pieza de madera Y1 en posición vertical contra el pequeño paragolpes de posicionamiento y la apriete de forma suficiente con la barra, de modo que no deslice.
- 13) Nivele la extremidad de las dos piezas de madera.
- 14) Apriete de forma definitiva la barra de apriete de la parte vertical.
- 15) Gire la plantilla en el segundo lado (aquél de cola de milano). Cuide de utilizar el anillo de guía correcto y la fresa derecha CMT.
- 16) Se acerque a la pieza desde adelante y no desde arriba, para evitar el riesgo de faltar la guía.
- 17) Una vez posicionada la electrofresadora, siga el perfil de la plantilla para realizar su elaboración.
- 18) Su primer ensamblado ha terminado, repita las operaciones precedentes para realizar los demás encajes necesarios.

En la página siguiente se encuentran las imágenes que le ayudarán a comprender mejor las etapas descritas arriba.



10) Conclusiones:

Ud. ha acabado de probar el montaje y la utilización del sistema **CMT300**. Para completar esta nota de utilización, puede encontrar la documentación comercial de los artículos y los códigos correspondientes del dispositivo **CMT300**. En particular, podrá encontrar las plantillas opcionales, la descripción de las fresas que utilizar y los códigos correspondientes.

Le deseamos un empleo provechoso del sistema **CMT300**.

SOMMAIRE

	page
1) Contenu de la confection	36
2) Montage du CMT300	37
3) Installation de la fraiseuse électrique	39
4) Utilisation du CMT300 et du calibre standard CMT300-T128	39
5) Calibre fourni en option CMT300-T064	41
6) Calibre fourni en option CMT300-T080	43 - 45 - 46
7) Calibre fourni en option CMT300-T127	44 - 45 - 46
8) Calibre fourni en option CMT300-T129	47 - 49 - 50 - 51
9) Calibre fourni en option CMT300-T190	48 - 49 - 50 - 51
10) Conclusions	51

Vous remerciant d'avoir acheté nos produits, nous vous souhaitons bon travail!!

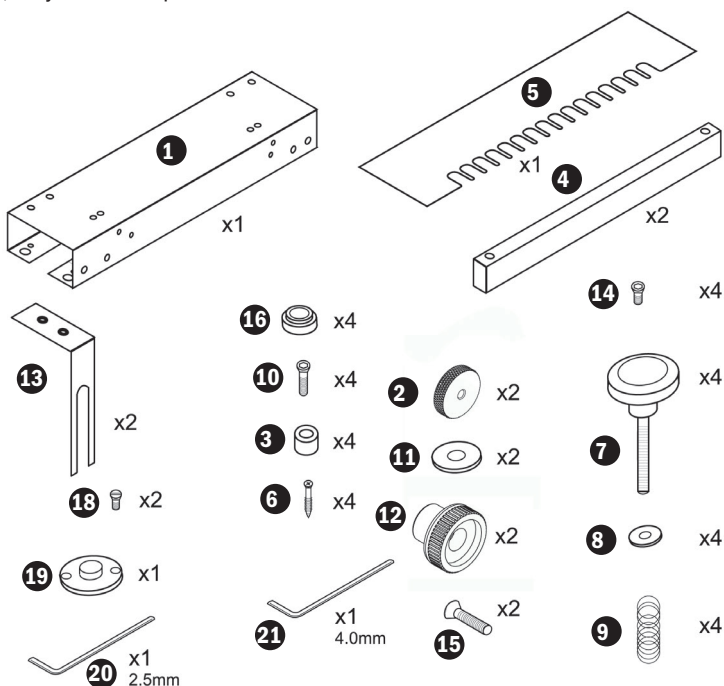
Que vous soyez un professionnel ou non, notre système d'assemblage universel vous permet de créer facilement et rapidement n'importe quel type d'encastrement.

Ce système s'adapte sur n'importe quel type de fraiseuse électrique grâce à la base universelle en PETG transparent (fournie à part).

1) Contenu de la confection

Lorsque l'on déballage la confection, on y trouve les pièces suivantes:

Nr.	Référence	Q.té
1	CMT300-01	1
2	CMT300-02	2
3	CMT300-03	4
4	CMT300-04	2
5	CMT300-T128	1
6	CMT300-06	4
7	CMT300-07	4
8	CMT300-08	4
9	CMT300-09	4
10	CMT300-10	4
11	CMT300-11	2
12	CMT300-12	2
13	CMT300-13	2
14	CMT300-14	4
15	CMT300-15	2
16	CMT300-16	4
18	CMT300-18	2
19	899.005.00	1
20	991.062.00	1
21	991.064.00	1



2) Montage du CMT300

Fig. 1: La première opération consiste à fixer le **CMT300** sur l'établi. Quatre vis autotaraudeuses sont prévues à cet effet.

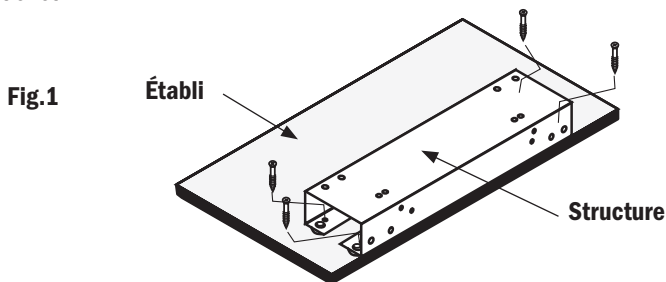


Fig. 2: Ce schéma permet de comprendre comment doivent être montés les éléments qui serviront à régler le positionnement du calibre. Il faut en premier lieu visser la vis 15 dans le trou du corps en utilisant la clé Allen (incluse) et, en la serrant soigneusement, visser de l'autre côté l'écrou d'arrêt 2. Ensuite, mettre la rondelle 11 et serrer l'écrou 12 à la main. Effectuer la même opération sur le côté opposé du corps. Les pièces 3 et les vis 10 servent au positionnement du bois. Visser les butées 3 sur le corps 1 en utilisant les vis 10. Agencer les arrêts aux positions U1 sur la partie supérieure de l'installation et F1 sur la partie antérieure de l'installation.

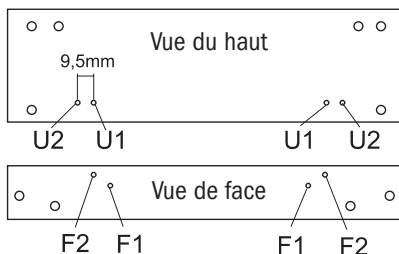
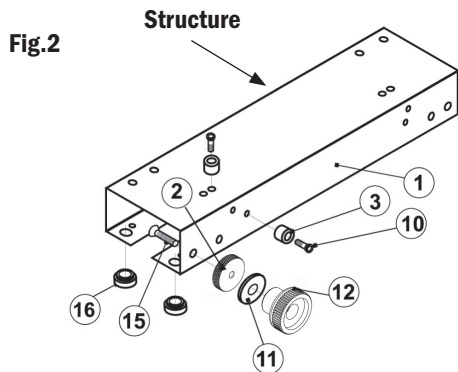


Fig. 3: Ce schéma permet de monter le calibre 5. Fixer sur le calibre les deux supports réglables 13 avec les quatre vis 14.

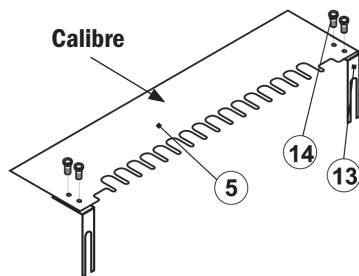


Fig. 4: Ce schéma illustre comment installer les barres qui permettent de maintenir en place le bois à travailler. Ces barres présentent un revêtement en papier de verre. Cela garantit une meilleure adhérence et, par voie de conséquence, une meilleure fixation du bois pendant le travail.

Introduire les deux vis à volant à lobes 7 dans les rondelles 8, dans la barre 4 et dans le ressort 9. Il ne reste plus qu'à visser les deux vis à volant à lobes dans les trous filetés. Refaire cette opération pour la barre antérieure.

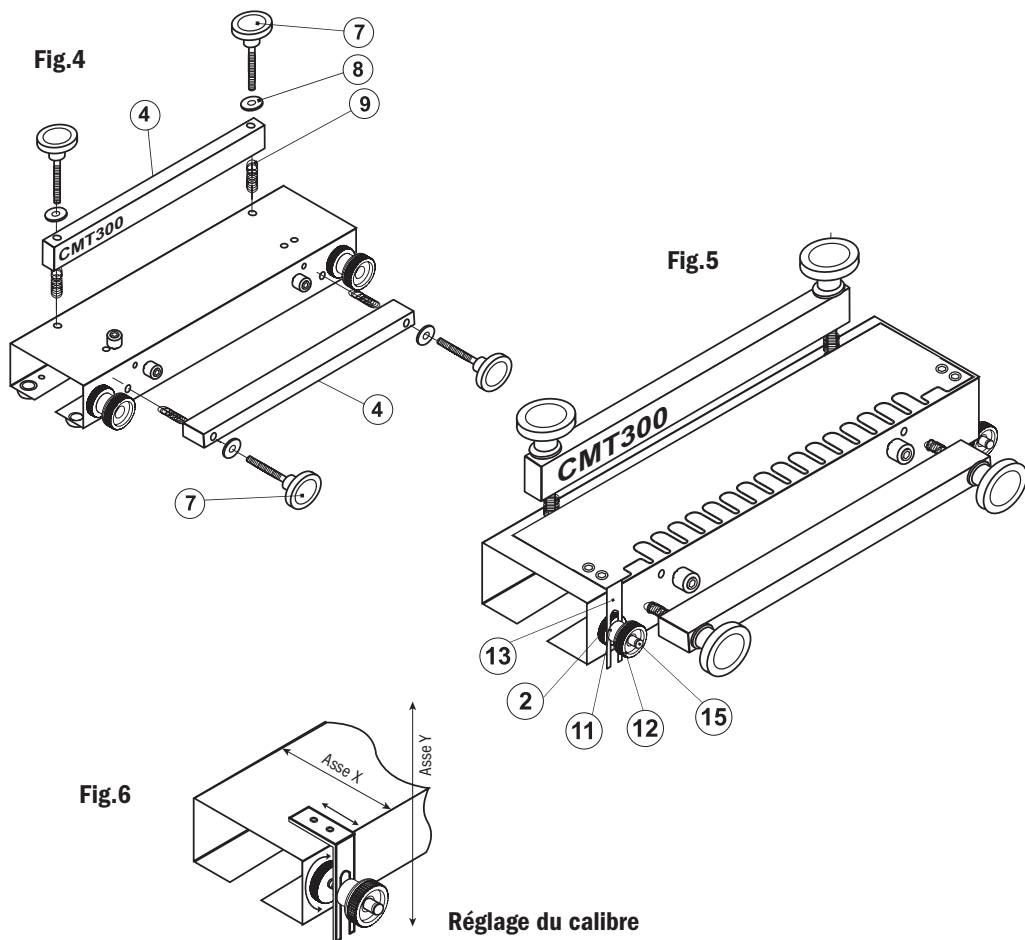


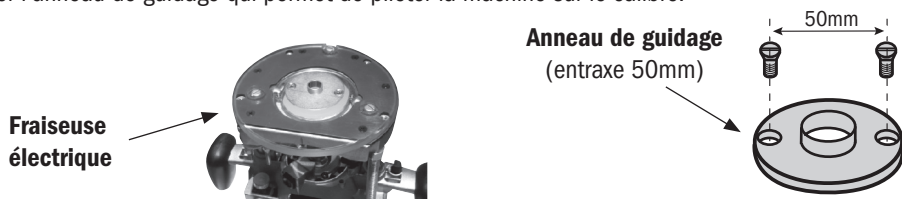
Fig. 5: Enfin, placer le calibre sur le corps du **CMT300**.

Pour ce faire, il suffit d'introduire les supports 13 entre les parties 2 et 11.

Fig. 6: Une fois que le calibre est en place, il est possible de régler selon deux axes, en X ou en Y. Il suffit de serrer ou de desserrer l'écrou d'arrêt 2, pour les variations en X, et d'élever ou d'abaisser les glissières 13 pour les réglages en Y. Une fois que la mise au point est effectuée, serrer l'écrou 12 pour la fixation. L'assemblage est alors achevé.

3) Installation de la fraiseuse électrique

Pour l'utilisation du système **CMT300**, il est nécessaire d'avoir une fraiseuse électrique sur laquelle il faut installer l'anneau de guidage qui permet de piloter la machine sur le calibre.



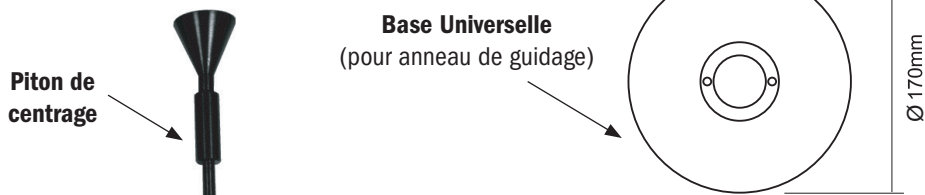
Au cas où l'anneau de guidage ne pourrait pas être installé sur la fraiseuse électrique (pour des raisons de dimensions), il est possible de se procurer une base universelle (**fournie à part**).

Cette base a un diamètre extérieur de 170mm et elle est munie d'un piton de centrage pour pouvoir l'installer correctement sur la fraiseuse électrique.

Base universelle fournie à part et en option

CMT300-SB1 (pour fixation Ø 8 et Ø 12mm)

CMT300-SB2 (pour fixation Ø 6,35 et Ø 12,7mm)



Une fois que le guide est installé sur la fraiseuse électrique, il est possible de monter une fraise en queue d'aronde CMT qui effectuera le travail du bois.

4) Utilisation du CMT300 et du calibre standard CMT300-T128

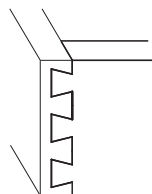
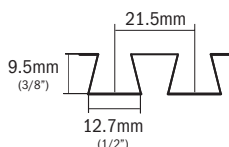
Le système **CMT300** est fourni avec un calibre standard (**CMT300-T128**) qui permet de réaliser des assemblages à queue d'aronde semi-cachés de 12,7mm avec l'utilisation d'une simple fraise à queue d'aronde CMT à acheter à part.

Fraises utilisables avec calibre standard **CMT300-T128**:

718.127.11 (fixation Ø6mm)

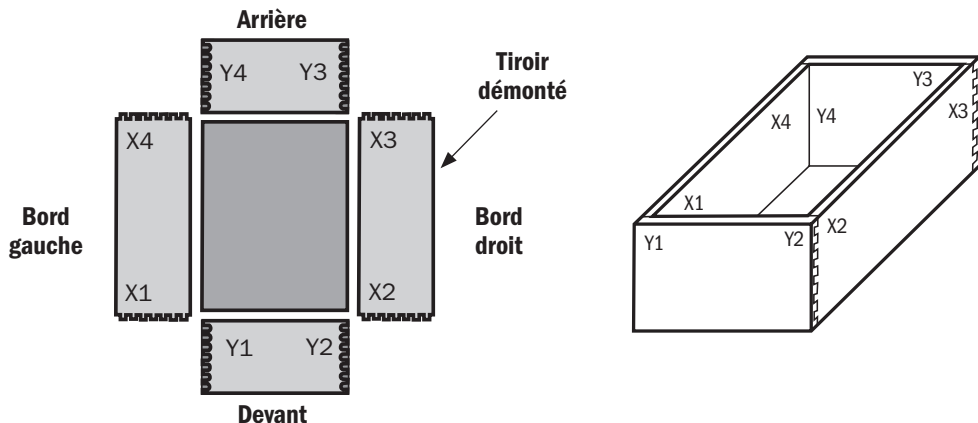
818.128.11 (fixation Ø6.35mm)

918.127.11 (fixation Ø8mm)



Assemblage à queue d'aronde semi-cachée
(CMT300-T128)

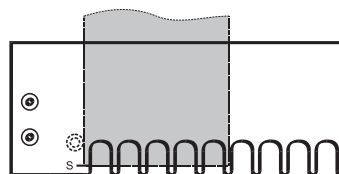
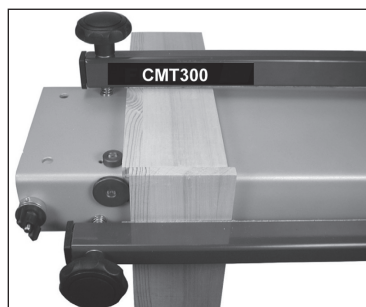
Exemple de réalisation d'un tiroir avec calibre standard CMT300-T128:



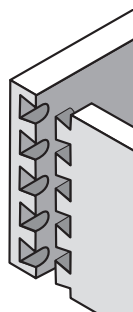
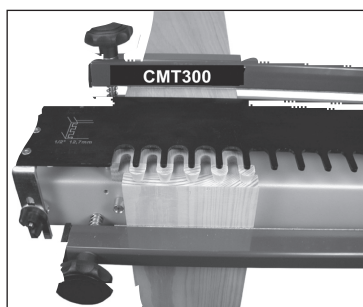
À chaque passage de la fraiseuse électrique sur le profil, on exécute un assemblage complet (X1 avec Y1, X2 avec Y2...), pour faire un tiroir complet, il faut donc effectuer 4 cycles de travail.

Positionnement des pièces en bois et travail:

- 1) Mettre la pièce en bois (X1, X2....) à la verticale contre le petit pare-chocs de positionnement et serrer suffisamment avec la barre de façon à ce qu'elle ne glisse pas.
- 2) Mettre la pièce en bois (Y1, Y2...) à l'horizontale contre le petit pare-chocs de positionnement et la pousser contre la pièce verticale.
- 3) Mettre les deux pièces à niveau.
- 4) Serrer définitivement la barre de serrage de la pièce verticale.
- 5) Serrer définitivement la barre de serrage de la pièce horizontale.
- 6) Placer le calibre et serrer les écrous pour le maintenir en place.

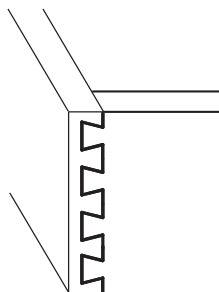
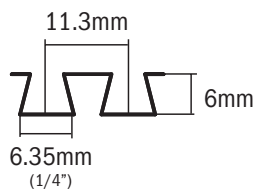


- 7) S'approcher et s'éloigner de la pièce sur le devant et non pas par le haut, pour ne pas courir le risque de rater le guidage et d'abîmer le joint.
- 8) Une fois que la fraiseuse électrique est en place, suivre le profil du calibre pour effectuer le travail.
- 9) Le premier assemblage est terminé. Refaire alors les opérations précédentes aussi souvent que nécessaire.



5) Calibre fourni en option CMT300-T064

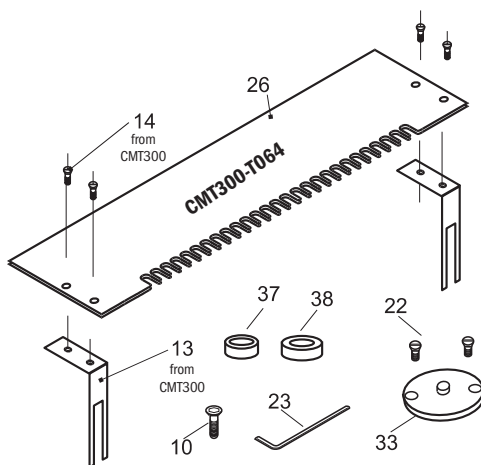
Il est possible d'acheter en option le calibre **CMT300-T064** qui permet de réaliser des mini-encastresments à queue d'aronde semi-cachés.



Mini-encastresments à queue d'aronde semi-cachés (CMT300-T064)

Contenu du CMT300-T064:

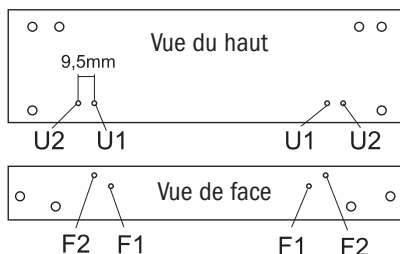
- 26) Calibre **CMT300-T064**
- 14) 4 vis M4x8mm
- 37) 2 anneaux de butée Ø15,8x6mm
- 38) 2 anneaux de butée Ø28,6x4mm
- 10) 4 vis M4x16mm
- 33) Anneau de guidage Ø7,8x4mm
- 22) 2 vis M5x8mm
- 23) Clé six-pans 2,5mm



Montage du calibre: Ce calibre se monte comme le calibre standard.

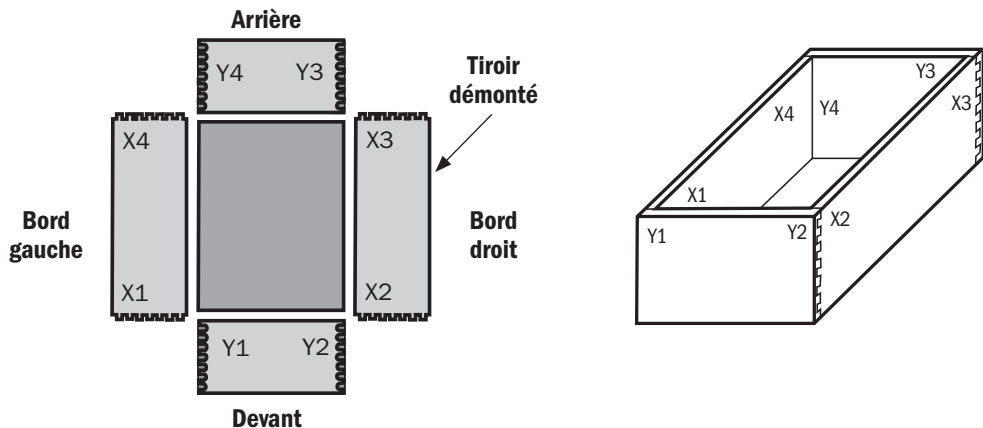
Démonter du système d'assemblage **CMT300** le calibre standard et le remplacer par le calibre 26, en le fixant sur les supports 13 (inclus dans le **CMT300**), au moyen des vis 14. Les anneaux de butée 37 et 38 remplacent ceux de la fourniture standard.

Les anneaux 38, qui ont un diamètre supérieur à celui des 37, se montent sur le devant dans F2, tandis que les 37 se montent dans la partie supérieure dans U1.



Montage de l'anneau de guidage: Pour utiliser ce calibre, il faut démonter l'anneau de guidage déjà présent sur la fraiseuse électrique et le remplacer avec l'anneau 33. Puis, monter une fraise à queue d'aronde (718.060.11 avec fixation Ø 6mm ou 818.064.11 avec fixation Ø 6,35mm) qui effectuera le travail sur le bois.

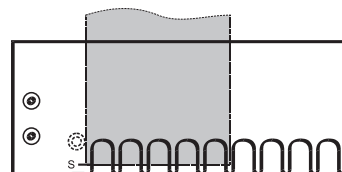
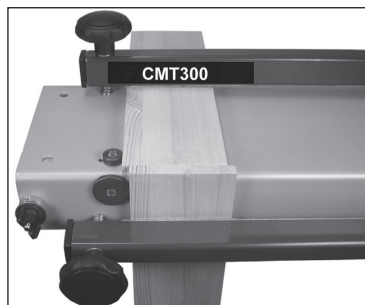
Exemple de réalisation d'un tiroir avec calibre standard CMT300-T064:



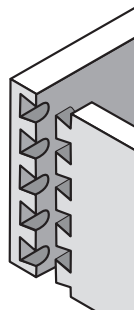
À chaque passage de la fraiseuse électrique sur le profil, on exécute un assemblage complet (X1 avec Y1, X2 avec Y2...), pour faire un tiroir complet, il faut donc effectuer 4 cycles de travail.

Positionnement des pièces en bois et travail:

- 1) Mettre la pièce en bois (X1, X2....) à la verticale contre le petit pare-chocs de positionnement et serrer suffisamment avec la barre de façon à ce qu'elle ne glisse pas.
- 2) Mettre la pièce en bois (Y1, Y2...) à l'horizontale contre le petit pare-chocs de positionnement et la pousser contre la pièce verticale.
- 3) Mettre les deux pièces à niveau.
- 4) Serrer définitivement la barre de serrage de la pièce verticale.
- 5) Serrer définitivement la barre de serrage de la pièce horizontale.
- 6) Placer le calibre et serrer les écrous pour le maintenir en place.

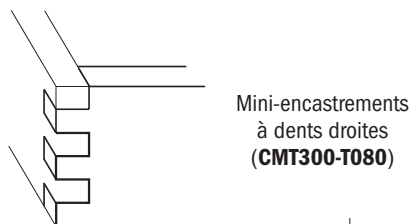
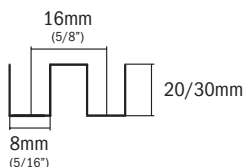


- 7) S'approcher et s'éloigner de la pièce sur le devant et non pas par le haut, pour ne pas courir le risque de rater le guidage et d'abîmer le joint.
- 8) Une fois que la fraiseuse électrique est en place, suivre le profil du calibre pour effectuer le travail.
- 9) Le premier assemblage est terminé. Refaire alors les opérations précédentes aussi souvent que nécessaire.



6) Calibre fourni en option CMT300-T080

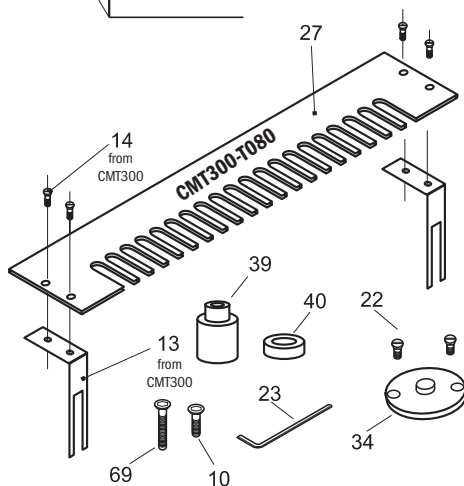
Il est possible d'acheter en option le calibre **CMT300-T080** qui permet de réaliser des mini-encastresments à dents droites.



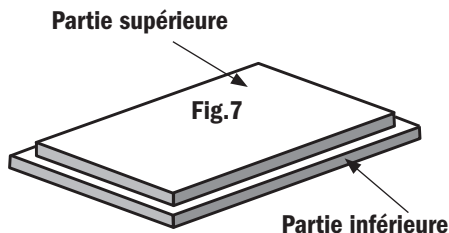
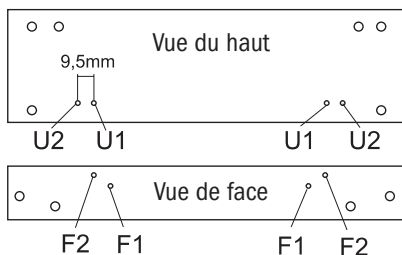
Contenu du CMT300-T080:

27) Calibre CMT300-T080

- 14) 4 vis M4x8mm
- 39) 2 anneaux de butée Ø15x7/Ø21x18
- 69) 2 vis M4x35mm
- 40) 2 anneaux de butée Ø14x6mm
- 10) 2 vis M4x16mm
- 34) Anneau de guidage Ø11,1x4
- 22) 2 vis M5x8mm
- 23) Clé six-pans 2,5mm



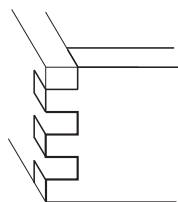
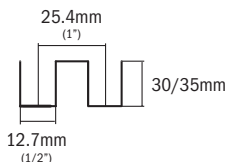
Montage du calibre: Ce calibre se monte comme le calibre standard. Démontez du système d'assemblage **CMT300** le calibre standard et le remplacez par le calibre 27, en le fixant sur les supports 13 (inclus dans le **CMT300**), au moyen des vis 14. Les anneaux de butée 39 et 40 remplacent ceux de la fourniture standard. Les deux anneaux 39 se montent sur le devant dans F2, tandis que les 40 se fixent sur le devant dans F1 et servent uniquement pour le travail d'une structure particulière, comme le montre la Fig. 7. Dans ce cas, la partie supérieure du bois bute contre l'anneau 40 et la partie inférieure bute contre l'anneau 39.



Montage de l'anneau de guidage: Remplacer l'anneau de guidage déjà présente sur la fraiseuse électrique par l'anneau 34. Puis monter une fraise droite (811.081.11 à fixation Ø 6,35mm - 912.080.11 à fixation Ø8mm) qui effectuera le travail du bois.

7) Calibre fourni en option CMT300-T127

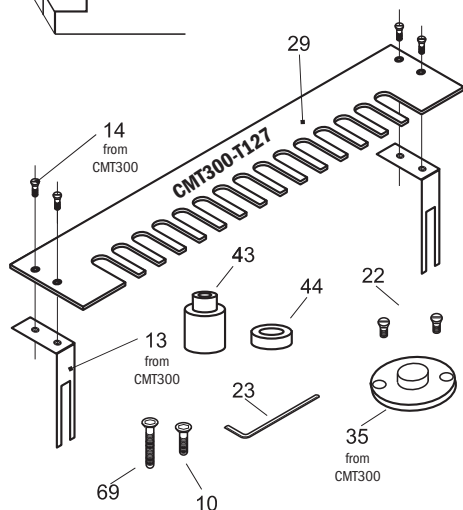
Il est possible d'acheter en option le calibre **CMT300-T127** qui permet de réaliser des encastresments d'assemblages à dents.



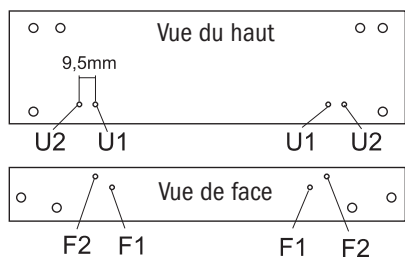
Assemblage à dents
(CMT300-T127)

Contenu du CMT300-T127:

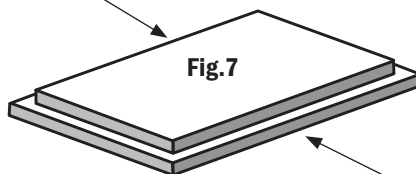
- 29) Calibre **CMT300-T127**
- 14) 4 vis M4x8mm
- 43) 2 anneaux de butée Ø7,8x7/Ø17,2x24
- 69) 2 vis M4x40mm
- 44) 2 anneaux de butée Ø19,65x6mm
- 10) 2 vis M4x16mm
- 23) Clé six-pans 2,5mm



Montage du calibre: Ce calibre se monte comme le calibre standard. Démontez du système d'assemblage **CMT300** le calibre standard et le remplacez par le calibre 29, en le fixant sur les supports 13 (inclus dans le **CMT300**), au moyen des vis 14. Les anneaux de butée 43 et 44 remplacent ceux de la fourniture standard. Les deux anneaux 43 (les plus longs) se montent sur le devant dans F2, tandis que les 44 se fixent sur le devant dans F1 et servent uniquement pour le travail d'une structure particulière, comme le montre la Fig. 7. Dans ce cas, la partie supérieure du bois bute contre l'anneau 44 et la partie inférieure bute contre l'anneau 43.



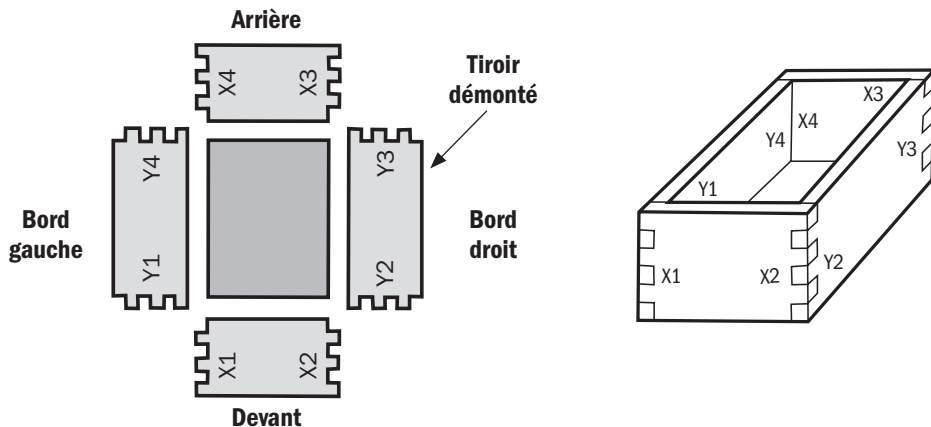
Partie supérieure



Partie inférieure

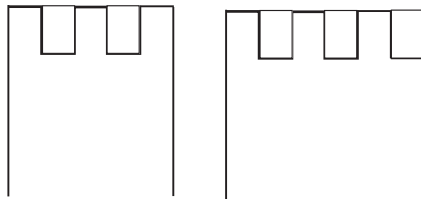
Montage de l'anneau de guidage: Pour utiliser ce calibre, il est nécessaire de monter l'anneau de guidage 35 (Ø15,8x4mm) déjà présent sur le **CMT300**. Puis, monter une fraise droite CMT (812.127.11 à fixation Ø 6,35mm - 912.127.11 à fixation 8mm - 812.627.11 à fixation Ø 12,7mm) qui réalisera le travail du bois.

Exemple de réalisation d'un tiroir avec calibre CMT300-T080 et CMT300-T127:

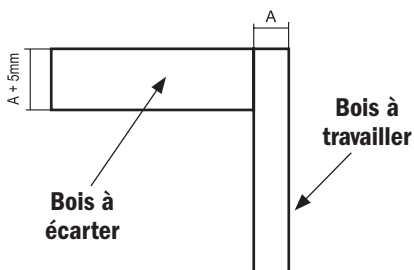


Quand on réalise un travail, on exécute un assemblage X1, X2..., Y1 Y2...). Cela revient à dire que, pour faire un tiroir complet, il faut effectuer 8 cycles de travail

Ces deux calibres permettent de réaliser deux types d'encastements, comme il est indiqué sur les figures suivantes.

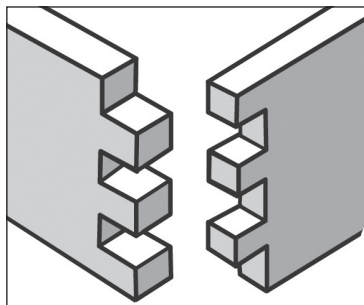
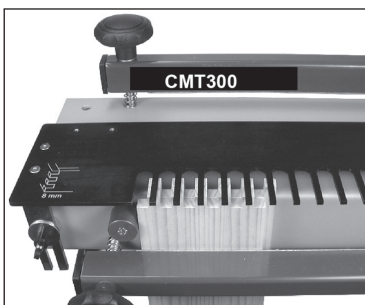


Pour le travail, placer horizontalement un bois que l'on jettera ensuite, avec une épaisseur supérieure de 5mm à celles de la pièce que l'on envisage de travailler. Ce bois horizontal est une pièce qui sert uniquement d'appui pour la partie verticale qu sera travaillée.



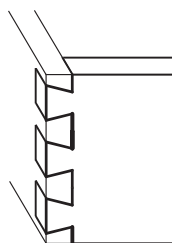
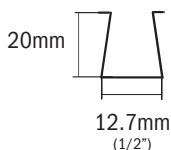
Positionnement des pièces en bois et travail:

- 1) Mettre la pièce en bois (X1..., Y1....) à la verticale contre le petit pare-chocs de positionnement et serrer suffisamment avec la barre de façon à ce qu'elle ne glisse pas.
- 2) Mettre la pièce en bois, que l'on jettera par la suite, à l'horizontale et la pousser contre la pièce verticale.
- 3) Mettre à niveau l'extrémité des deux pièces.
- 4) Serrer définitivement la barre de serrage de la pièce verticale.
- 5) Serrer définitivement la barre de serrage de la pièce horizontale.
- 6) Placer le calibre et serrer les écrous pour le maintenir en place.
- 7) S'approcher de la fraiseuse électrique sur le devant et non pas par le haut, pour ne pas courir le risque de rater le guidage.
- 8) Une fois que la fraiseuse électrique est en place, suivre le profil du calibre pour effectuer le travail.
- 9) Le premier assemblage est terminé. Refaire alors les opérations précédentes aussi souvent que nécessaire.



8) Calibre fourni en option CMT300-T129

Il est possible d'acheter en option le calibre **CMT300-T129** qui permet de réaliser des encastresments à queue d'aronde ouverte de 12,7x20mm.

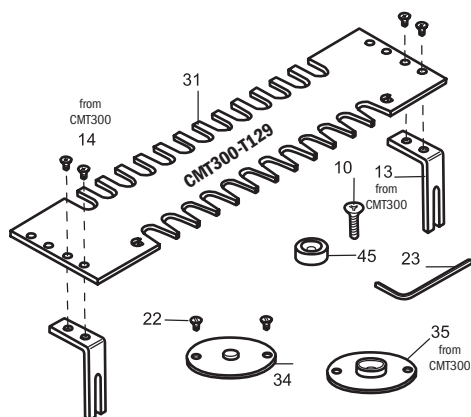


Encastresments à queue d'aronde ouverte
(CMT300-T129)

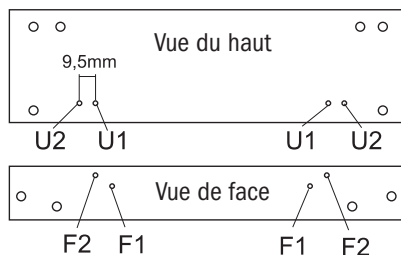
Contenu du CMT300-T129

31) Calibre **CMT300-T129**

- 14) 4 vis M4x8mm
- 45) 2 anneaux de butée Ø21,85x6mm
- 10) 2 vis M4x16mm
- 34) Anneau de guidage Ø11,1x4mm
- 22) 2 vis M5x8mm
- 23) Clé six-pans 2,5mm



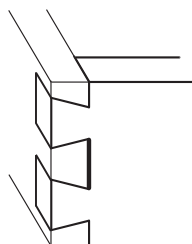
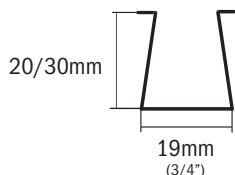
Montage du calibre: Ce nouveau calibre se monte comme le calibre standard. Démontez du système d'assemblage **CMT300** le calibre standard et le remplacez par le calibre 31, en le fixant sur les supports 13 (inclus dans le **CMT300**), au moyen des vis 14. Les anneaux de butée 45 et 38 remplacent ceux de la fourniture standard.



Montage de l'anneau de guidage: Il est clair que ce calibre possède deux côtés, dans la mesure où l'encastrement est effectué en utilisant deux fraises, une pour chaque côté du calibre. Sur le premier côté (le droit), on utilisera la fraise à queue d'aronde de Ø12.7 (818.129.11 à fixation Ø 6,35mm ou 918.129.11 à fixation Ø 8mm) à anneau de guidage standard Ø 15,8 x 4mm (fourni avec le **CMT300**), tandis que sur l'autre côté à queue d'aronde, on utilisera la fraise droite de Ø 8mm (811.081.11 à fixation Ø 6,35mm ou 912.080.11 à fixation Ø 8mm) avec l'anneau 34 (Ø 11,1 x 4mm) fourni avec le calibre.

9) Calibre fourni en option CMT300-T190

Il est possible d'acheter en option le calibre **CMT300-T190** qui permet de réaliser des encastresments à queue d'aronde ouverte de 19x22mm.

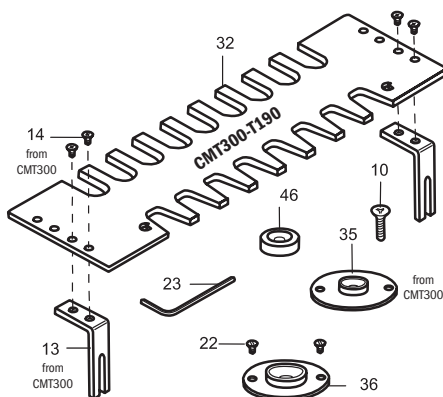


Encastresments à queue d'aronde ouverte
(CMT300-T190)

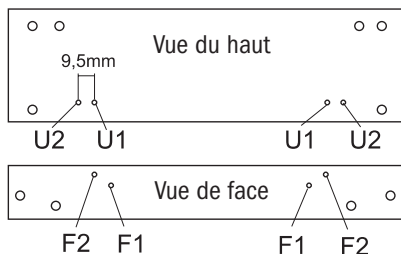
Contenu du CMT-T190

32) Calibre CMT300-T190

- 14) 4 vis M4x8mm
- 46) 2 anneaux de butée Ø16,3x6mm
- 10) 2 vis M4x16mm
- 36) Anneau de guidage Ø22,1x4mm
- 22) 2 vis M5x8mm
- 23) Clé six-pans 2,5mm

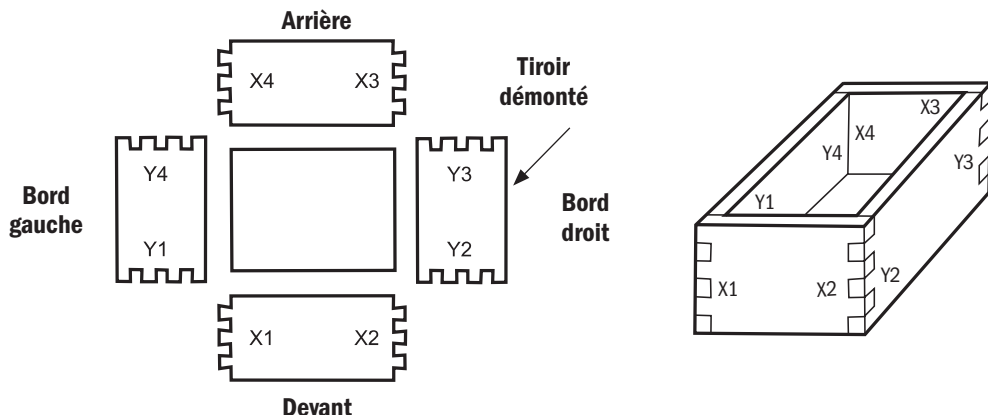


Assemblage du calibre: Ce calibre se monte comme le calibre standard. Démontez du système d'assemblage **CMT300** le calibre standard et le remplacez par le calibre 32, en le fixant sur les supports 13 (inclus dans le **CMT300**), au moyen des vis 14. Les anneaux de butée 46 remplacent ceux de la fourniture standard.



Montage de l'anneau de guidage: Il est clair que ce calibre possède deux côtés, dans la mesure où l'encastrement est effectué en utilisant deux fraises, une pour chaque côté du calibre. Sur le premier côté (le droit), on utilisera la fraise à queue d'aronde de Ø19mm (718.190.11 fixation Ø 6mm - 818.190.11 fixation Ø 6,35mm - 918.190.11) fixation Ø8mm - 918.690.11 fixation Ø12mm - 818.690.11 fixation Ø12,7mm) avec l'anneau de guidage 36 (Ø22x4mm) fourni avec le calibre, tandis que sur l'autre côté à queue d'aronde, on utilisera la fraise droite Ø 12,7mm (812.127.11 fixation Ø 6,35mm - 912.127.11 fixation Ø 8mm - 811.627.11 fixation Ø 12,7mm) avec l'anneau standard (Ø 15,8 x 4mm) fourni avec le **CMT300**.

Exemple de réalisation d'un tiroir avec calibre CMT300-T129 et CMT300-T190:

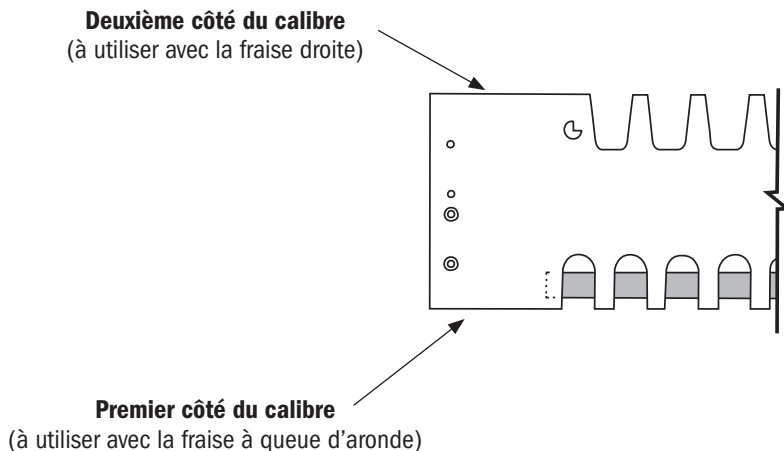


À chaque passage fini, on a fait un assemblage X1, X2..., Y1 Y2...). Cela revient à dire que, pour faire un tiroir, il faut effectuer 8 cycles de travail

Utilisation des deux côtés :

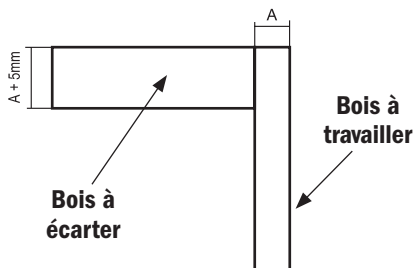
La première partie du calibre (avec canaux droits) permet réaliser les X (X1, X2...), en utilisant une fraise à queue d'aronde CMT et l'anneau de guidage correspondant.

La deuxième partie du calibre (à queue d'aronde) permet de réaliser les Y (Y1, Y2...), en utilisant une fraise droite CMT et l'anneau de guidage correspondant.



Pour le travail des pièces en bois, placer horizontalement une pièce nécessaire à l'opération, que l'on jettera ensuite, avec une épaisseur supérieure de 5mm à celles de la pièce que l'on envisage de travailler.

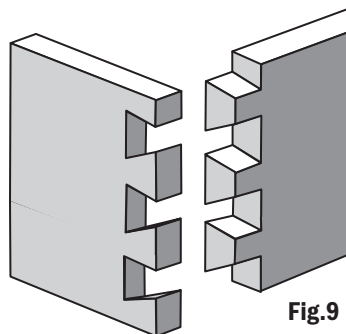
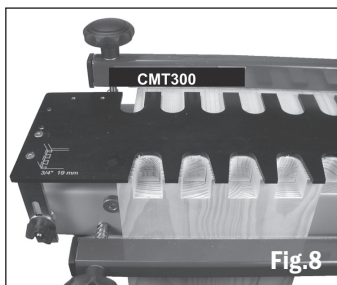
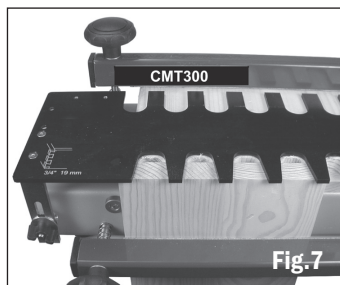
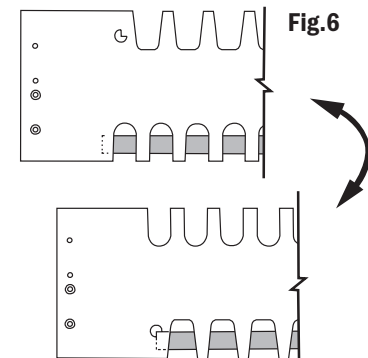
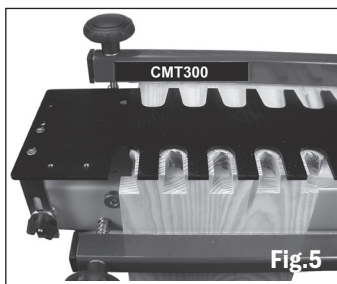
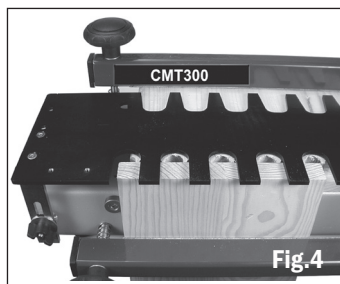
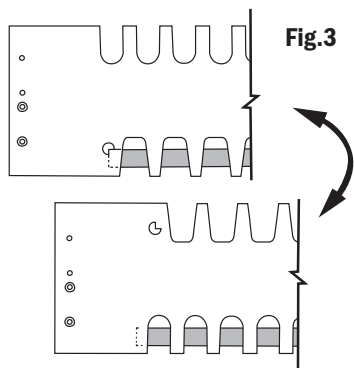
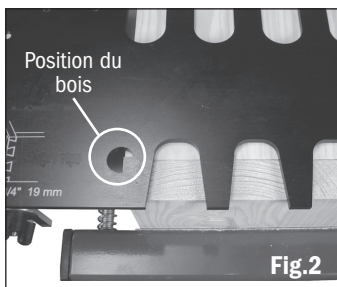
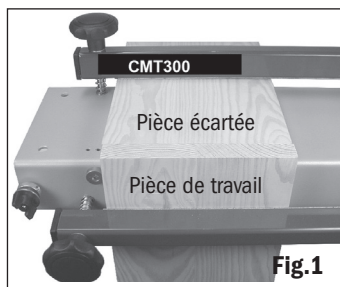
Cette pièce d'aide est une pièce de bois qui sert à maintenir en butée la partie verticale que l'on envisage de travailler.



Positionnement des pièces en bois et travail:

- 1) Mettre la pièce en bois X1 à la verticale contre le petit pare-chocs de positionnement et serrer suffisamment avec la barre de façon à ce qu'elle ne glisse pas.
- 2) Mettre la pièce d'aide à l'horizontale et la pousser contre la pièce verticale.
- 3) Mettre à niveau l'extrémité des deux pièces de bois.
- 4) Serrer définitivement la barre de serrage de la pièce verticale.
- 5) Serrer définitivement la barre de serrage de la pièce horizontale.
- 6) Placer le calibre sur le deuxième côté (à queue d'aronde) et, dans le petit trou du calibre, s'assurer que les deux pièces sont bien alignées.
- 7) Tourner le calibre sur le premier côté (à canaux droits) Veiller à utiliser le bon anneau de guidage et la fraise à queue d'aronde CMT.
- 8) S'approcher du bois sur le devant et non pas par le haut, pour ne pas courir le risque de rater le guidage.
- 9) Une fois que la fraiseuse électrique est en place, suivre le profil du calibre pour effectuer le travail.
- 10) Le premier assemblage est terminé. Refaire alors les opérations précédentes pour faire tous les X.
- 11) Démontez le calibre et laissez en place la pièce d'aide.
- 12) Mettre la pièce en bois Y1 à la verticale contre le petit pare-chocs de positionnement et serrer suffisamment avec la barre de façon à ce qu'elle ne glisse pas.
- 13) Mettre à niveau l'extrémité des deux pièces de bois.
- 14) Serrer définitivement la barre de serrage de la pièce verticale.
- 15) Tourner le calibre sur le deuxième côté (à queue d'aronde). Veiller à utiliser le bon anneau de guidage et la fraise droite CMT.
- 16) S'approcher du bois sur le devant et non pas par le haut, pour ne pas courir le risque de rater le guidage.
- 17) Une fois que la fraiseuse électrique est en place, suivre le profil du calibre pour effectuer le travail.
- 18) Le premier assemblage est terminé. Refaire alors les opérations précédentes pour les autres encastresments à faire.

À la page suivante, l'on trouvera des images qui aident à mieux comprendre les opérations décrites ci-dessus.



10) Conclusions:

L'on vient donc de tester l'assemblage du système **CMT300** et son utilisation. Pour compléter cette note d'utilisation, il est possible de trouver la documentation commerciale des articles et les codes relatifs concernant le système **CMT300**. L'on trouvera, en particulier, les calibres en option, la description des fraises à utiliser et les codes correspondants.

Bon travail avec le système **CMT300**!

INDICE	pagina
1) Contenuto della confezione	52
2) Montaggio del CMT300	53
3) Installazione dell'elettrofresatrice	55
4) Utilizzo del CMT300 e dima standard CMT300-T128	55
5) Dima opzionale CMT300-T064	57
6) Dima opzionale CMT300-T080	59 - 61 - 62
7) Dima opzionale CMT300-T127	60 - 61 - 62
8) Dima opzionale CMT300-T129	63 - 65 - 66 - 67
9) Dima opzionale CMT300-T190	64 - 65 - 66 - 67
10) Conclusioni	67

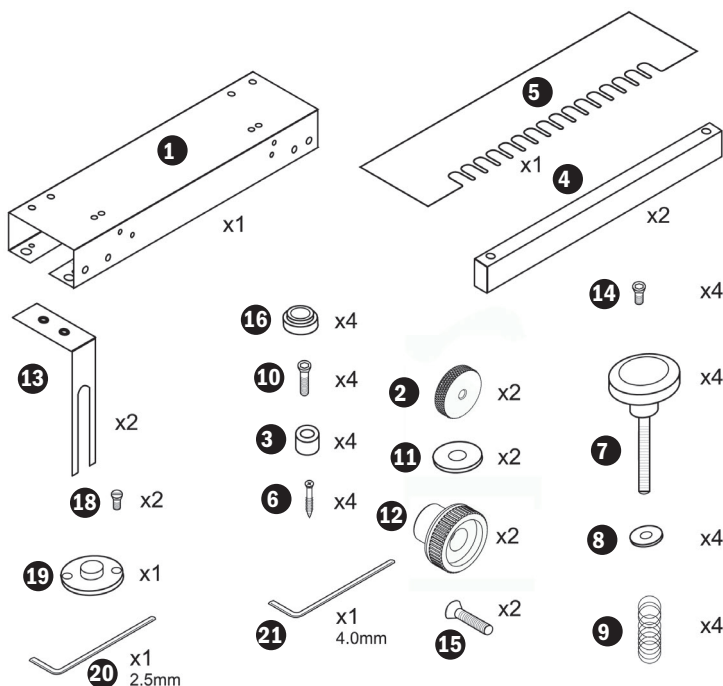
Vi ringraziamo per l'acquisto dei nostri prodotti e vi auguriamo un buon lavoro!!

Che siate professionista o no, con il nostro sistema d'assemblaggio universale potrete creare facilmente e rapidamente qualsiasi tipo di incastro. Questo sistema è adattabile su ogni tipo di elettrofresatrice grazie alla speciale base universale in PETG trasparente (fornita separatamente).

1) Contenuto della confezione

Quando aprite l'imballo, al suo interno troverete le seguenti parti:

Nr.	Codice	Q.tà
1	CMT300-01	1
2	CMT300-02	2
3	CMT300-03	4
4	CMT300-04	2
5	CMT300-T128	1
6	CMT300-06	4
7	CMT300-07	4
8	CMT300-08	4
9	CMT300-09	4
10	CMT300-10	4
11	CMT300-11	2
12	CMT300-12	2
13	CMT300-13	2
14	CMT300-14	4
15	CMT300-15	2
16	CMT300-16	4
18	CMT300-18	2
19	899.005.00	1
20	991.062.00	1
21	991.064.00	1



2) Montaggio del CMT300

Fig. 1: La prima operazione consiste nel fissaggio del **CMT300** sul banco. Per questo avrete a disposizione quattro viti autofilettanti.

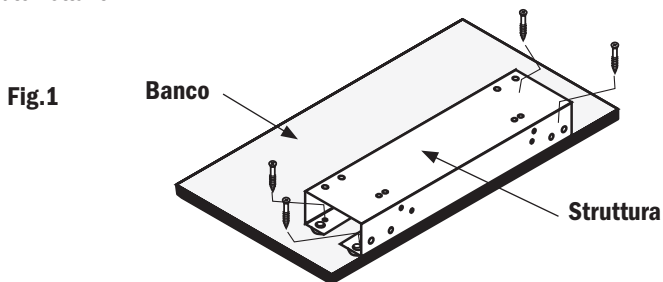


Fig. 2: Questo schema vi permette di comprendere come montare gli elementi che serviranno a regolare il posizionamento della dima. Occorre innanzitutto avvitare la vite 15 nel foro del corpo usando la chiave a brugola (inclusa) e stringendole accuratamente, avvitate dall'altra parte il dado d'arresto 2 con la chiave fornita, infilate poi la rondella 11 e stringete il dado 12 manualmente. Ripetete questa operazione nella parte opposta del corpo.

Le parti 3 e le viti 10 servono al posizionamento del legno. Avvitare gli arresti 3 al corpo 1 usando le viti 10. Sistemare gli arresti alle posizioni U1 sulla parte superiore dell'impianto e F1 sulla parte anteriore dell'impianto.

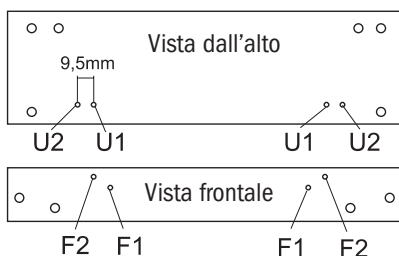
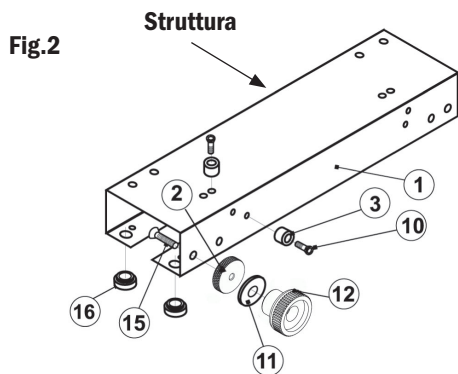


Fig. 3: Questo schema vi permette di montare la dima 5. Fissare su di esso i due supporti regolabili 13 con le quattro viti 14.

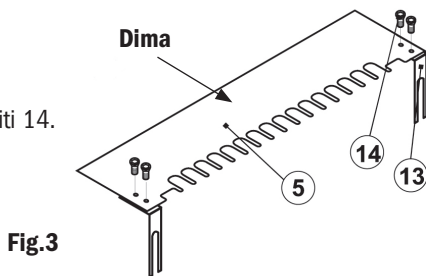


Fig. 4: Questo schema vi illustra come installare le sbarre che vi permetteranno di tenere in posizione il legno da lavorare. Su queste sbarre potete notare un rivestimento in carta vetrata. Ciò permette una migliore aderenza e dunque un migliore fissaggio del legno durante la lavorazione.

Infilare le due viti con volantino a lobi 7 nelle rondelle 8, nella sbarra 4 e nella molla 9. Non vi rimane che avvitare le due viti con volantino a lobi nei fori filettati. Ripetete questa operazione per la sbarra anteriore.

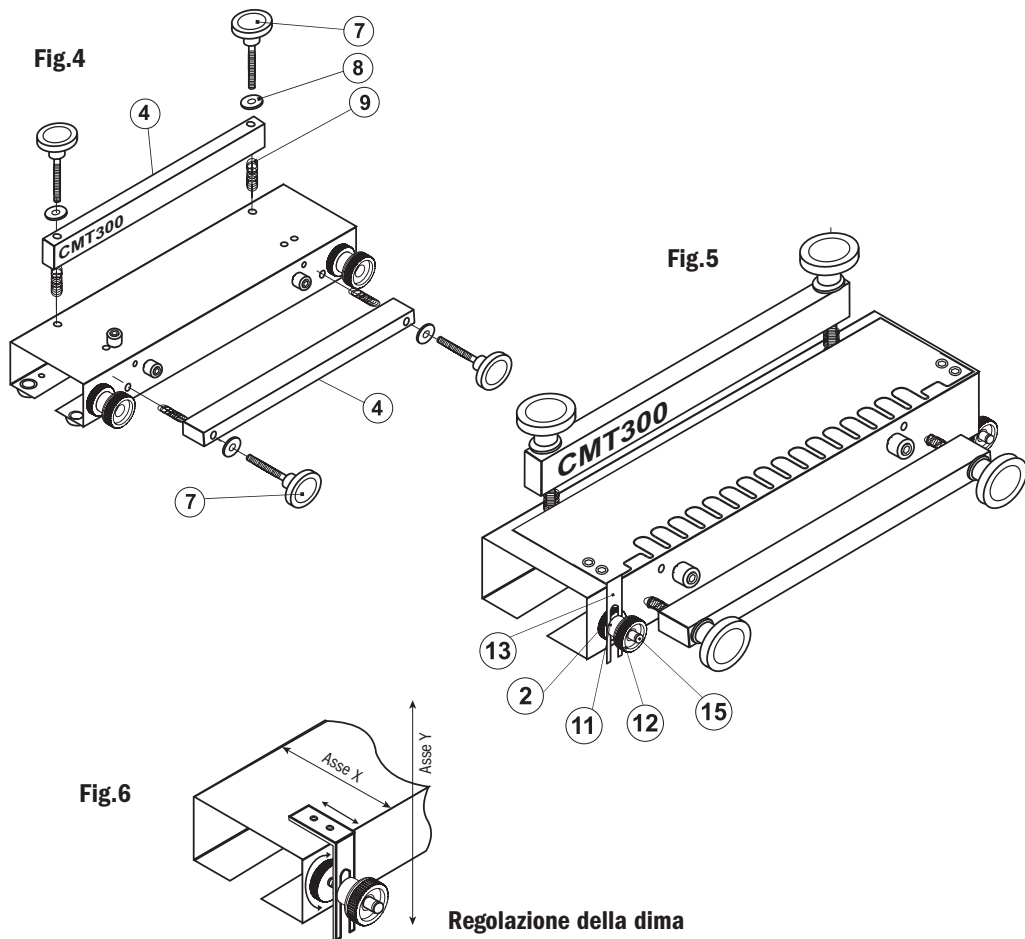
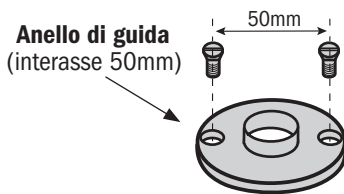
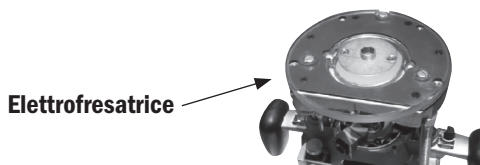


Fig. 5: Infine, piazzerete la dima sul corpo del **CMT300**. Per far ciò basta introdurre i supporti 13 tra le parti 2 e 11.

Fig. 6: Una volta posizionata la dima, potete regolarla secondo due assi, in X o in Y. Vi basta stringere o allentare il dado d'arresto 2, per variazioni in X, e alzare o abbassare le guide 13 per regolazioni in Y. Una volta effettuata la messa a punto stringete il dado 12 per il fissaggio. L'assemblaggio è ora terminato.

3) Installazione dell'elettrofresatrice

Per l'utilizzo del sistema **CMT300**, è necessaria un elettrofresatrice, sulla quale dovete installare l'anello di guida, che permette di pilotare la macchina sulla dima.



Qualora l'anello di guida non sia installabile sulla vostra elettrofresatrice (per ragioni di dimensioni), avete la possibilità di procurarvi una base universale (**fornita separatamente**).

Questa base ha un diametro esterno di 170mm ed è fornita con un perno di centraggio per poterla installare correttamente sulla vostra elettrofresatrice.

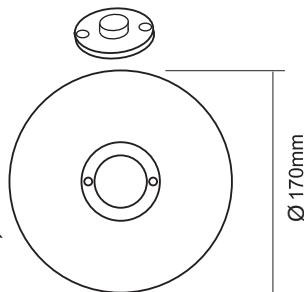
Base universale "opzionale" fornita separatamente

CMT300-SB1 (per attacco Ø8 e Ø12mm)

CMT300-SB2 (per attacco Ø6.35 e Ø12.7mm)



Base Universale
(per anello di guida)



Una volta installata la guida sull'elettrofresatrice, potrete montare una fresa a coda di rondine CMT che realizzerà la lavorazione del vostro legno.

4) Utilizzo del CMT300 con dima standard CMT300-T128

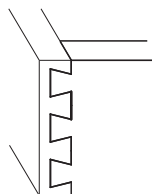
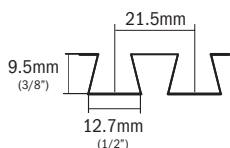
Insieme al sistema **CMT300** viene fornita una dima standard (**CMT300-T128**), con cui potrete realizzare unioni a coda di rondine seminascoste da 12.7mm con l'utilizzo di una semplice fresa a coda di rondine CMT da acquistare separatamente.

Frese utilizzabili con dima standard **CMT300-T128**:

718.127.11 (attacco Ø6mm)

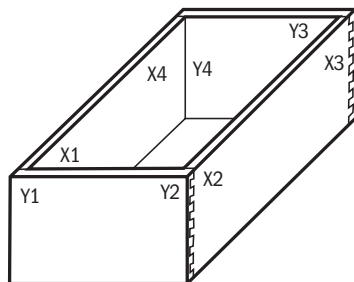
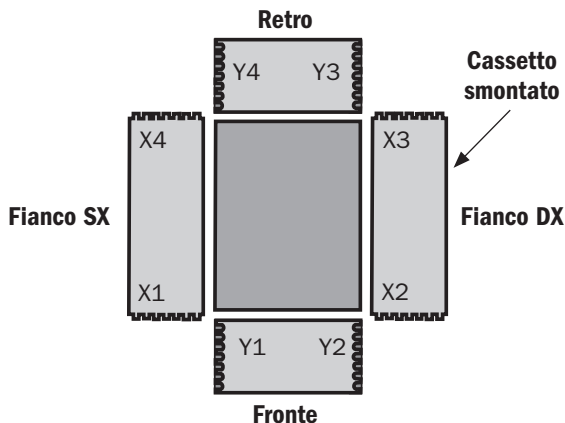
818.128.11 (attacco Ø6.35mm)

918.127.11 (attacco Ø8mm)



Unione a coda di rondine seminascosta (**CMT300-T128**)

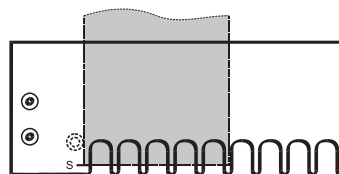
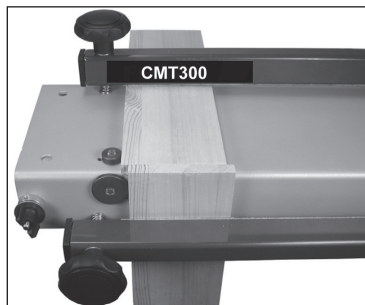
Esempio di realizzazione di un cassetto con dima standard CMT300-T128:



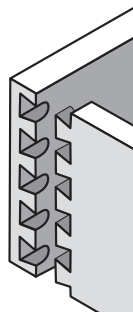
Ad ogni passaggio dell'elettrofresatrice sul profilo avrete fatto un assemblaggio completo (X1 con Y1, X2 con Y2...), per fare un cassetto intero vi occorrerà effettuare 4 cicli di lavorazione.

Posizionamento delle parti in legno e lavorazione:

- 1) Mettete la parte in legno (X1, X2....) in verticale contro il piccolo paracolpi di posizionamento e stringete sufficientemente con la sbarra in modo che non scivoli.
- 2) Mettete la parte in legno (Y1, Y2...) in orizzontale contro il piccolo paracolpi di posizionamento e spingetela contro la parte verticale.
- 3) Livellate i due legni.
- 4) Stringete definitivamente la sbarra di serraggio della parte verticale.
- 5) Stringete definitivamente la sbarra di serraggio della parte orizzontale.
- 6) Piazzate la dima e stringete i dadi per mantenerla in posizione.

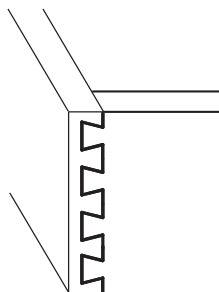
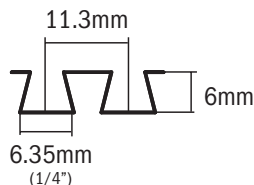


- 7) Avvicinatevi e allontanatevi dal pezzo da davanti e non dall'alto, per evitare il rischio di mancare la guida e rovinare il giunto.
- 8) Posizionata la vostra elettrofresatrice, seguite il profilo della dima per effettuare la vostra lavorazione.
- 9) Il vostro primo assemblaggio è terminato, ripete le operazioni precedenti tante volte quante necessarie.



5) Dima "opzionale" CMT300-T064

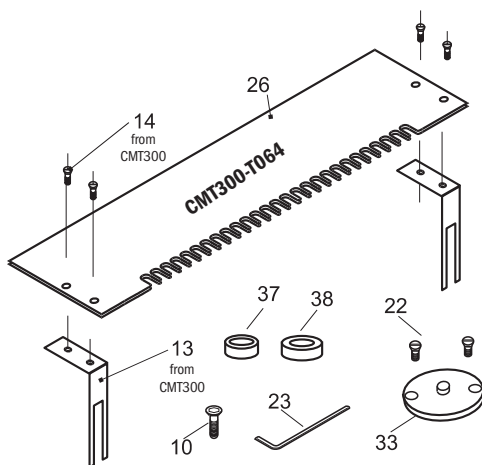
Avete la possibilità di acquistare come "optional" la dima **CMT300-T064** che Vi permetterà di realizzare mini incastri a coda di rondine seminascosti.



Mini incastri a coda di rondine seminascosti (**CMT300-T064**)

Contenuto del CMT300-T064:

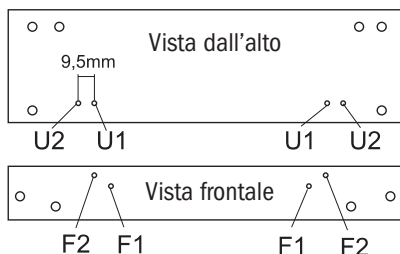
- 26)** Dima **CMT300-T064**
- 14)** Nr.4 Viti M4x8mm
- 37)** Nr.2 Anelli di battuta Ø15.8x6mm
- 38)** Nr.2 Anelli di battuta Ø28.6x4mm
- 10)** Nr.4 viti M4x16mm
- 33)** Anello di guida Ø7.8x4mm
- 22)** Nr.2 Viti M5x8mm
- 23)** Chiave esagonale 2.5mm



Montaggio della dima: questa dima si monta come quella standard.

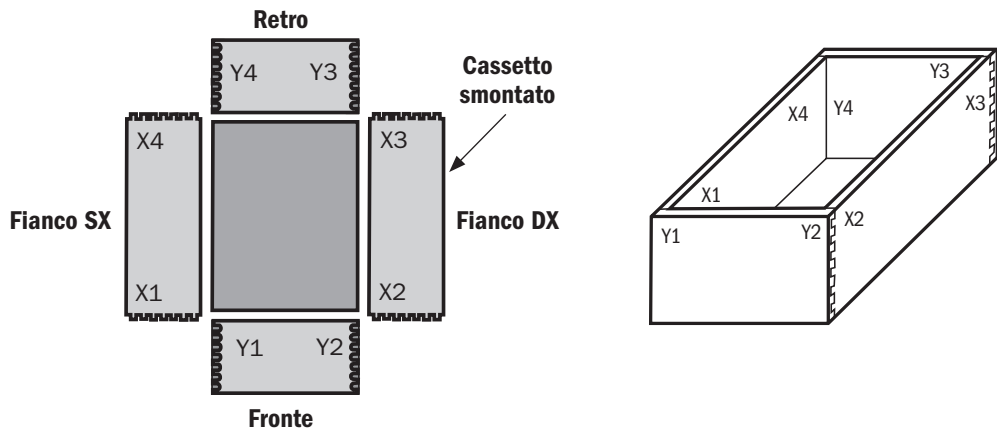
Smontate dal sistema di giunzione **CMT300** la dima standard e sostituirla con la dima 26, fissandola sui supporti 13 (inclusi nel **CMT300**), tramite le viti 14. Gli anelli di battuta 37 e 38 sostituiscono quelli in dotazione standard.

Gli anelli 38, che hanno un diametro più grande di quelli 37, si montano frontalmente in F2, mentre quelli 37 vanno montati nella parte superiore in U1.



Montaggio dell'anello di guida: per l'utilizzo di questa dima, dovrete smontare l'anello di guida già presente sulla vostra elettrofresatrice, e sostituirlo con l'anello 33. Poi montate una fresa a coda di rondine (718.060.11 con attacco Ø6mm oppure 818.064.11 con attacco Ø6.35mm) che realizzerà la vostra lavorazione sul legno.

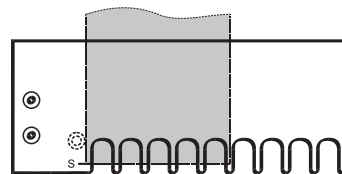
Esempio di realizzazione di un cassetto con dima standard CMT300-T064:



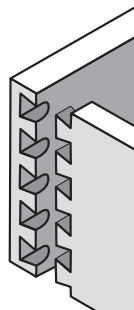
Ad ogni passaggio dell'elettrofresatrice sul profilo avrete fatto un assemblaggio completo (X1 con Y1, X2 con Y2...), per fare un cassetto intero vi occorrerà effettuare 4 cicli di lavorazione.

Posizionamento delle parti in legno e lavorazione:

- 1) Mettete la parte in legno (X1, X2....) in verticale contro il piccolo paracolpi di posizionamento e stringete sufficientemente con la sbarra in modo che non scivoli.
- 2) Mettete la parte in legno (Y1, Y2...) in orizzontale contro il piccolo paracolpi di posizionamento e spingetela contro la parte verticale.
- 3) Livellate i due legni.
- 4) Stringete definitivamente la sbarra di serraggio della parte verticale.
- 5) Stringete definitivamente la sbarra di serraggio della parte orizzontale.
- 6) Piazzate la dima e stringete i dadi per mantenerlo in posizione.

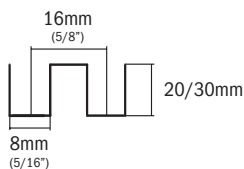


- 7) Avvicinatevi e allontanatevi dal pezzo da davanti e non dall'alto, per evitare il rischio di mancare la guida e rovinare il giunto.
- 8) Posizionata l'elettrofresatrice, seguite il profilo della dima per effettuare la vostra lavorazione.
- 9) Il vostro primo assemblaggio è terminato, ripete le operazioni precedenti tante volte quante necessarie.



6) Dima "opzionale" CMT300-T080

Avete la possibilità di acquistare come "optional" la dima **CMT300-T080**, che Vi permetterà di realizzare mini-incastri a denti diritti.



Contenuto del CMT300-T080:

27) Dima **CMT300-T080**

14) Nr.4 Viti M4x8mm

39) Nr.2 Anelli di battuta Ø15x7/Ø21x18

69) Nr.2 Viti M4x35mm

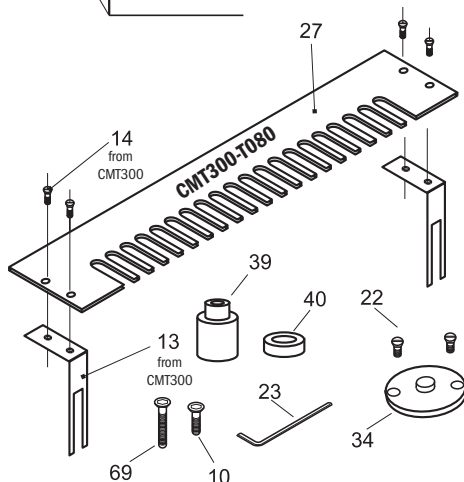
40) Nr.2 Anelli di battuta Ø14x6mm

10) Nr.2 viti M4x16mm

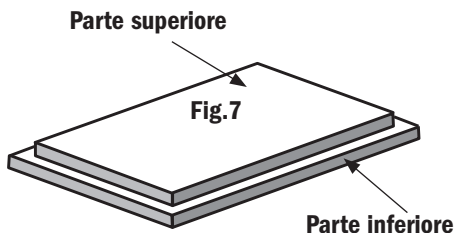
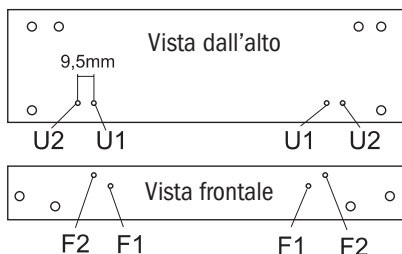
34) Anello di guida Ø11.1x4

22) Nr.2 Viti M5x8mm

23) Chiave esagonale 2.5mm



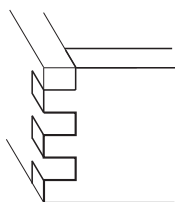
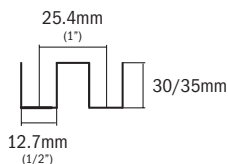
Montaggio della dima: questa dima si monta come quella standard. Smontate dal sistema di giunzione **CMT300** la dima standard e sostituirla con la dima 27, fissandola sui supporti 13 (inclusi sul **CMT300**), tramite le viti 14. Gli anelli di battuta 39 e 40 sostituiscono quelli in dotazione standard. I due anelli 39 si montano frontalmente in F2, mentre quelli 40 si fissano frontalmente in F1 e servono soltanto per la lavorazione di una particolare struttura, come potete vedere in Fig.7. In questo caso, la parte superiore del legno viene ad inciampare contro l'anello 40 e la parte inferiore viene a sbattere contro l'anello 39.



Montaggio dell'anello di guida: sostituite l'anello di guida già presente sulla vostra elettrofresatrice, con l'anello 34. Poi montate una fresa dritta (811.081.11 con attacco Ø6.35mm - 912.080.11 con attacco Ø8mm) che realizzerà la lavorazione del vostro legno.

7) Dima "opzionale" CMT300-T127

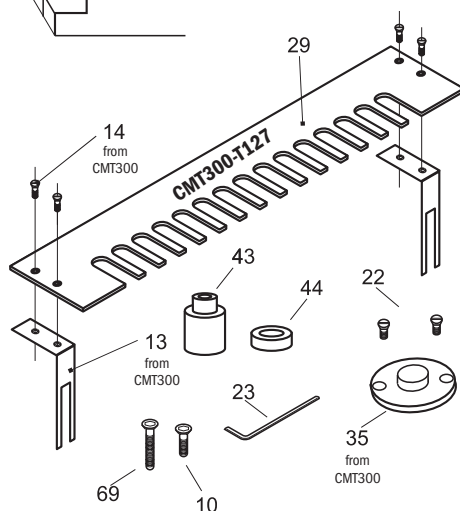
Avete la possibilità di acquistare come "optional" la dima **CMT300-T127**, che Vi permetterà di realizzare incastri di unioni a denti.



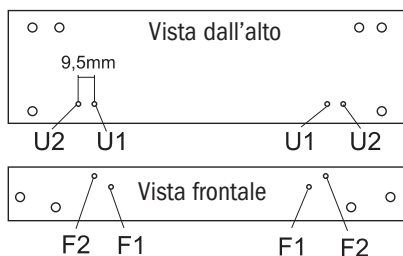
Unione a Denti
(CMT300-T127)

Contenuto del CMT300-T127:

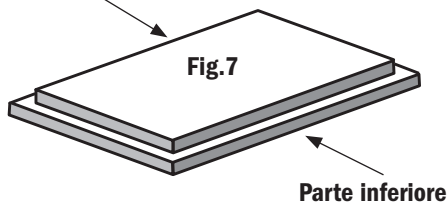
- 29) Dima **CMT300-T127**
- 14) Nr.4 Viti M4x8mm
- 43) Nr.2 Anelli di battuta Ø7.8x7/Ø17.2x24
- 69) Nr.2 Viti M4x40mm
- 44) Nr.2 Anelli di battuta Ø19.65x6mm
- 10) Nr.2 viti M4x16mm
- 23) Chiave esagonale 2.5mm



Montaggio della dima: questa dima si monta come quella standard. Smontate dal sistema di giunzione **CMT300** la dima standard e sostituirla con la dima 29, fissandola sui supporti 13 (inclusi nel **CMT300**), tramite le viti 14. Gli anelli di battuta 43 e 44 sostituiscono quelli in dotazione standard. I due anelli 43 (più lunghi), si montano frontalmente in F2, mentre quelli 44 si fissano frontalmente in F1 e servono soltanto per la lavorazione di un legno con una particolare forma come si vede in Fig.7. In questo caso, la parte superiore del legno viene a sbattere contro l'anello 44 e la parte inferiore viene a sbattere contro l'anello 43.

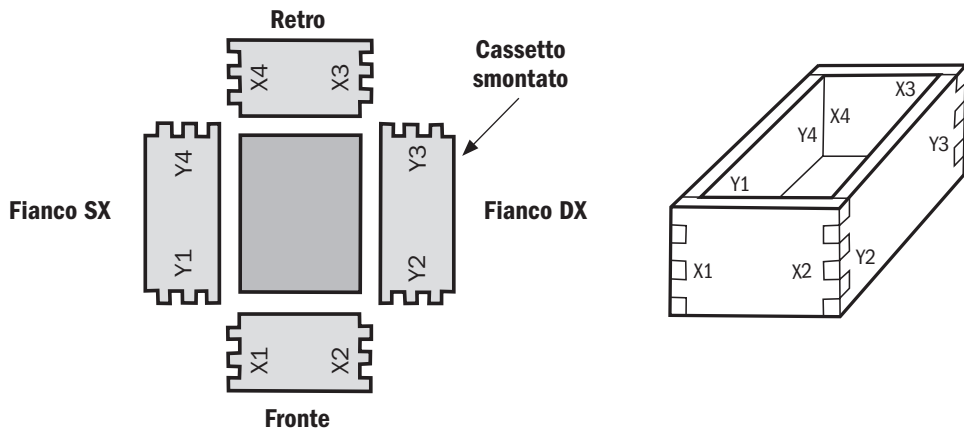


Parte superiore



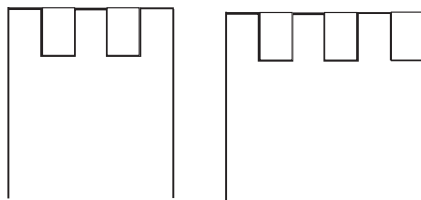
Montaggio dell'anello di guida: per l'utilizzo di questa dima, vi occorrerà montare l'anello di guida 35 (Ø15.8x4mm) già presente sul vostro **CMT300**. Poi montate una fresa diretta CMT (812.127.11 con attacco Ø6.35mm - 912.127.11 con attacco 8mm - 812.627.11 con attacco Ø12.7mm) che realizzerà la lavorazione del vostro legno.

Esempio di realizzazione su un cassetto con dima CMT300-T080 e CMT300-T127:

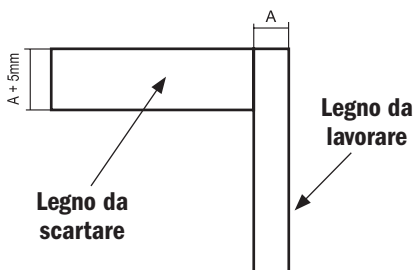


Quando realizzate una lavorazione, avete fatto un assemblaggio X1, X2..., Y1 Y2... vale a dire che per fare un cassetto completo vi occorrerà effettuare 8 cicli di lavorazione.

Con queste due dime avete la possibilità di realizzare due tipi di incastri, come potete vedere nei seguenti disegni.

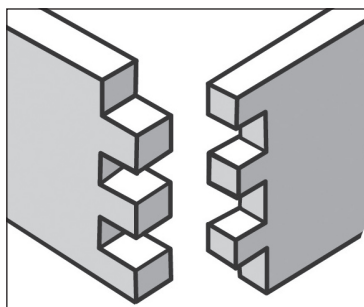


Per la lavorazione, dovete piazzare orizzontalmente un legno che poi butterete via, con uno spessore superiore di 5mm a quella della parte che dovete lavorare. Questo legno orizzontale è un pezzo che funge solamente da appoggio della parte verticale che verrà lavorata.



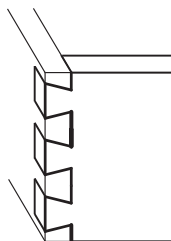
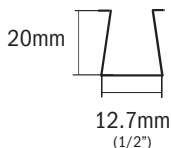
Posizionamento delle parti in legno e lavorazione:

- 1) Mettete la parti in legno (X1..., Y1....) in verticale contro il piccolo paracolpi di posizionamento e stringete sufficientemente con la sbarra in modo che non scivoli.
- 2) Mettete il pezzo di legno che butterete in orizzontale e spingetelo contro il pezzo verticale.
- 3) Livellate la fine dei due legni.
- 4) Stringete definitivamente la sbarra di serraggio della parte verticale.
- 5) Stringete definitivamente la sbarra di serraggio della parte orizzontale.
- 6) Piazzate la dima e stringete i dadi per mantenerlo in posizione.
- 7) Avvicinatevi con la vostra elettrofresatrice da davanti e non dall'alto per non rischiare di mancare la guida.
- 8) Posizionata l'elettrofresatrice, seguite il profilo della dima per effettuare la vostra lavorazione.
- 9) Il vostro primo assemblaggio è terminato, ripetete le operazioni precedenti tante volte quante necessarie.



8) Dima "opzionale" CMT300-T129

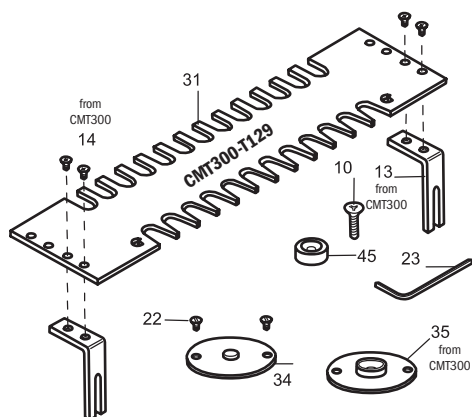
Avete la possibilità di acquistare come "optional" la dima **CMT300-T129**, che Vi permetterà di realizzare incastri a coda di rondine aperta da 12.7x20mm.



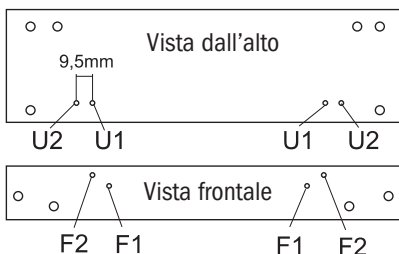
Incastri a coda di rondine aperta
(**CMT300-T129**)

Contenuto del CMT300-T129

- 31)** Dima **CMT300-T129**
- 14)** Nr.4 Viti M4x8mm
- 45)** Nr.2 Anelli di battuta Ø21.85x6mm
- 10)** Nr.2 Viti M4x16mm
- 34)** Anello di guida Ø11.1x4mm
- 22)** Nr.2 Viti M5x8mm
- 23)** Chiave esagonale 2.5mm



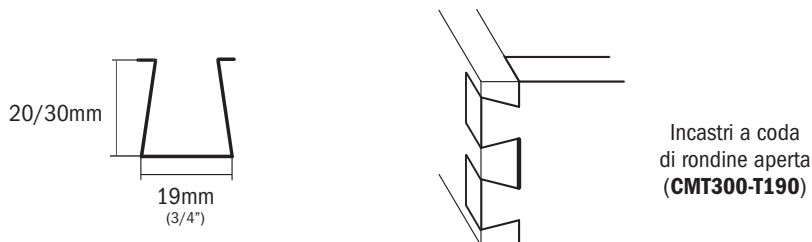
Montaggio della dima: questa nuova dima si monta come la standard. Smontate dal sistema di giunzione **CMT300** la dima standard e sostituirla con la dima 31, fissandola sui supporti 13 (inclusi nel **CMT300**), tramite le viti 14. Gli anelli di battuta 45 sostituiscono quelli in dotazione standard e si montano frontalmente in F2.



Montaggio dell'anello di guida: si può vedere che questa dima possiede due lati, in quanto l'incastro viene eseguito utilizzando due frese; una per ogni lato della dima. Sul primo lato, quello diritto si utilizzerà la fresa a coda di rondine da Ø12.7 (818.129.11 con attacco Ø6.35mm o 918.129.11 con attacco Ø8mm) con l'anello di guida standard Ø15.8x4mm (in dotazione con il **CMT300**), mentre sull'altro lato a coda di rondine si utilizzerà la fresa diritta da Ø8mm (811.081.11 con attacco Ø6.35mm o 912.080.11 con attacco Ø8mm) con l'anello 34 (Ø11.1x4mm) in dotazione con la dima.

9) Dima "opzionale" CMT300-T190

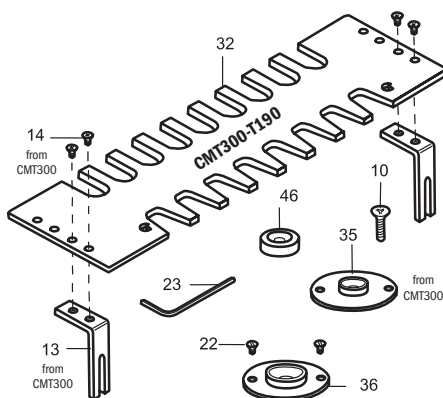
Avete la possibilità di acquistare come "optional" la dima **CMT300-T190**, che Vi permetterà di realizzare incastrati a coda di rondine aperta da 19x22mm.



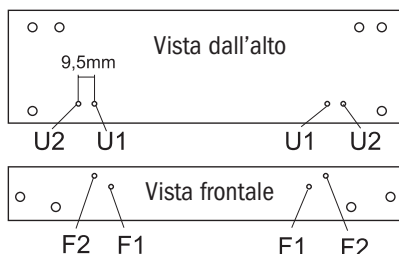
Contenuto del CMT-T190

32) Dima CMT300-T190

- 14) Nr.4 Viti M4x8mm
- 46) Nr.2 Anelli di battuta Ø16.3x6mm
- 10) Nr.2 viti M4x16mm
- 36) Anello di guida Ø22x4mm
- 22) Nr.2 Viti M5x8mm
- 23) Chiave esagonale 2.5mm

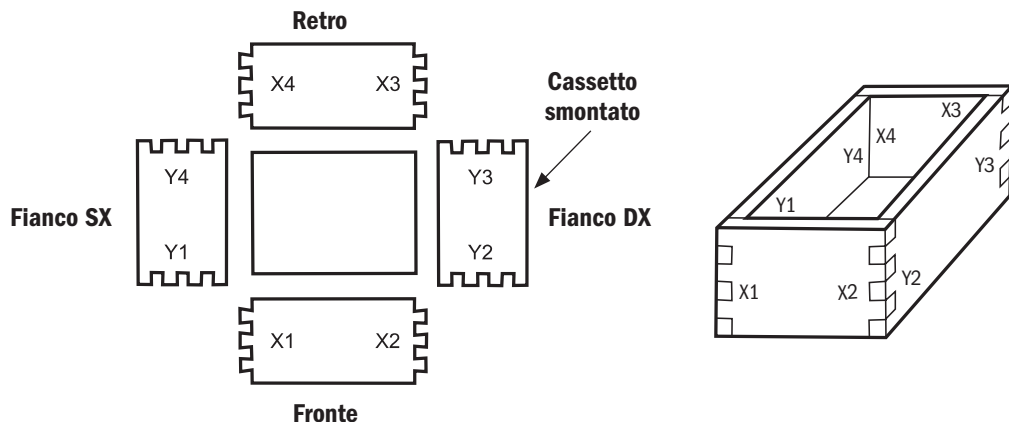


Assemblaggio della dima: questa dima si monta come la standard. Smontate dal sistema di giunzione **CMT300** la dima standard e sostituitemela con la dima 32, fissandola sui supporti 13 (inclusi nel **CMT300**), tramite le viti 14. Gli anelli di battuta 46 sostituiscono quelli in dotazione standard e si montano frontalmente in F2.



Montaggio dell'anello di guida: si può vedere che questa dima possiede due lati, in quanto l'incastrato viene eseguito utilizzando due frese; una per ogni lato della dima. Sul primo lato, quello diritto si utilizzerà la fresa a coda di rondine da Ø19mm (718.190.11 attacco Ø6mm - 818.190.11 attacco Ø6.35mm - 918.190.11 attacco Ø8mm - 918.690.11 attacco Ø12mm - 818.690.11 attacco Ø12.7mm) con l'anello di guida 36 (Ø22x4mm) in dotazione con la dima, mentre sull'altro lato a coda di rondine si utilizzerà la fresa diritta da Ø12.7mm (812.127.11 attacco Ø6.35mm - 912.127.11 attacco Ø8mm - 811.627.11 attacco Ø12.7mm) con l'anello standard (Ø15.8x4mm) in dotazione con il **CMT300**.

Esempio di realizzazione di un cassetto con dima CMT300-T129 e CMT300-T190:



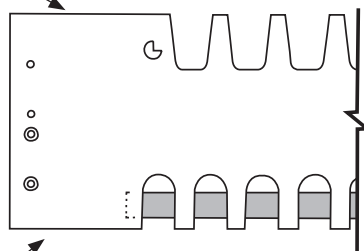
Ad ogni passaggio finito, avete fatto un assemblaggio X1, X2..., Y1 Y2... quindi per fare un cassetto vi occorrerà effettuare 8 cicli di lavorazione.

Utilizzo dei due lati:

La prima parte della dima (con canali diritti) permette di realizzare le X (X1, X2...), utilizzando una fresa a coda di rondine CMT e l'anello di guida corrispondente.

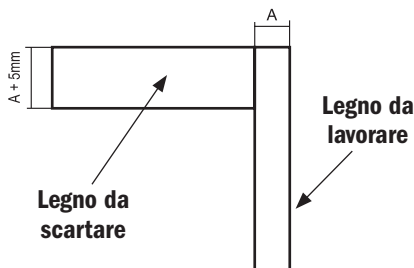
La seconda parte della dima (a coda di rondine) permette di realizzare le Y (Y1, Y2...), utilizzando una fresa diritta CMT e l'anello di guida corrispondente.

Secondo lato della dima
(da utilizzare con la fresa diritta)



Primo lato della dima
(da utilizzare con la fresa a coda di rondine)

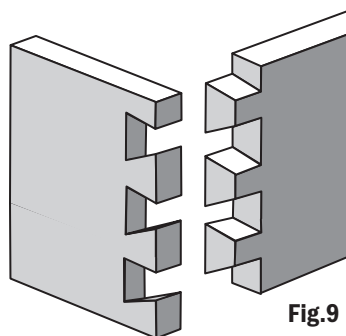
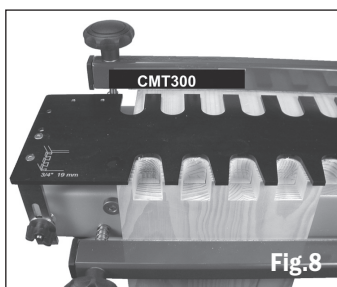
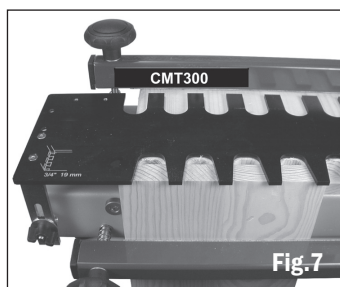
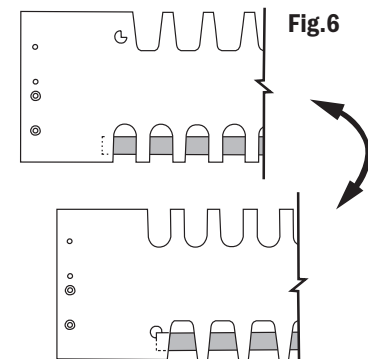
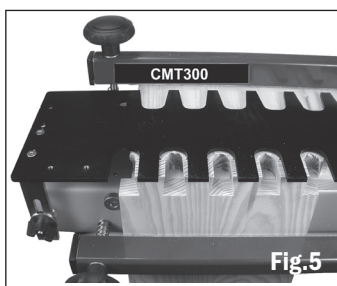
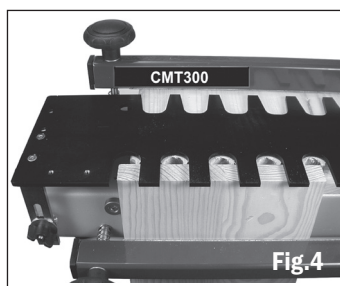
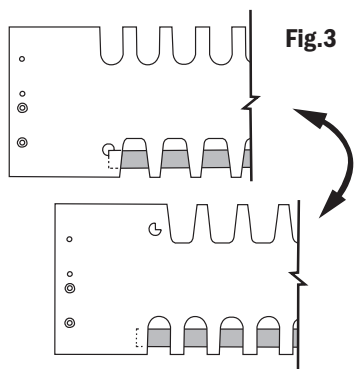
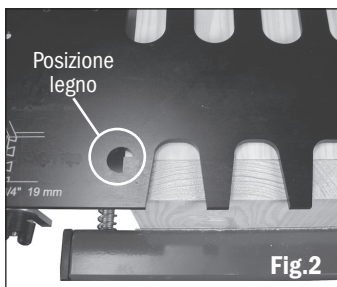
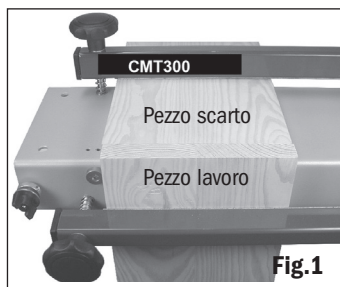
Per realizzare la lavorazione delle parti in legno, piazzare orizzontalmente un pezzo necessario per la lavorazione, che poi butterete via, con uno spessore superiore di 5mm alla parte che andrete a lavorare. Questo pezzo d'aiuto è un pezzo di legno che serve per tenere in battuta la parte verticale che si lavorerà.



Posizionamento delle parti in legno e lavorazione:

- 1) Mettete la parte di legno X1 in verticale contro il piccolo paracolpi di posizionamento e stringete sufficientemente la sbarra in modo che non scivoli.
- 2) Mettete il pezzo d'aiuto in orizzontale e spingetelo contro il pezzo verticale.
- 3) Livellate la fine dei due pezzi di legno.
- 4) Stringete definitivamente la sbarra di serraggio della parte verticale.
- 5) Stringete definitivamente la sbarra di serraggio della parte orizzontale.
- 6) Piazzate la dima sul suo secondo lato (quello a coda di rondine) e verificate nel piccolo foro della dima, che i due pezzi siano ben allineati.
- 7) Girate la dima sul primo lato (quello con canali dritti). Attenzione ad utilizzare l'anello di guida giusto e la fresa a coda di rondine CMT.
- 8) Avvicinatevi al legno da davanti e non dall'alto, per evitare il rischio di mancare la guida.
- 9) Posizionata l'elettrofresatrice, seguite il profilo della dima per effettuare la vostra lavorazione.
- 10) Il vostro primo assemblaggio è terminato, ripetete le operazioni precedenti per fare tutti le X.
- 11) Smontate la dima e lasciate in posizione il pezzo d'aiuto.
- 12) Mettete la parte di legno Y1 in verticale contro il piccolo paracolpi di posizionamento e stringete sufficientemente la sbarra in modo che non scivoli.
- 13) Livellate la fine dei due pezzi di legno.
- 14) Stringete definitivamente la sbarra di serraggio della parte verticale.
- 15) Girate la dima sul secondo lato (quello a coda di rondine). Attenzione ad utilizzare l'anello di guida giusto e la fresa dritta CMT.
- 16) Avvicinatevi al legno da davanti e non dall'alto, per evitare il rischio di mancare la guida.
- 17) Posizionata l'elettrofresatrice, seguite il profilo della dima per effettuare la vostra lavorazione.
- 18) Il vostro primo assemblaggio è terminato, ripetete le operazioni precedenti per il resto degli incastri da fare.

Potete trovare sulla pagina seguente, le immagini che vi aiuteranno a comprendere meglio le tappe descritte sopra.



10) Conclusioni:

Avete appena provato l'assemblaggio del sistema **CMT300** e il suo utilizzo. Come complemento di questa nota d'utilizzo, potete trovare la documentazione commerciale degli articoli e relativi codici riguardanti il sistema **CMT300**. Troverete in particolare le dime opzionali, la descrizione delle frese da utilizzare e i codici corrispondenti.

Vi auguriamo un buon utilizzo del sistema **CMT300**.

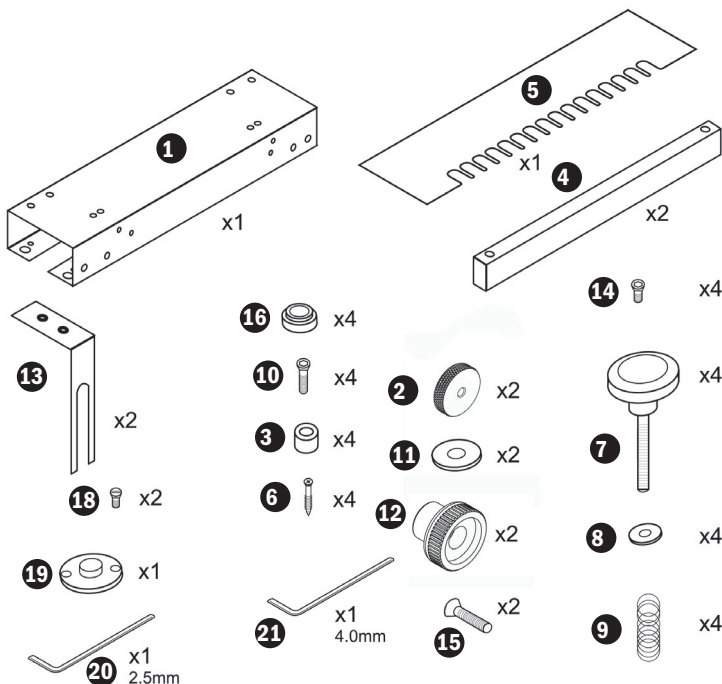
INHALT	Seite
1) Packungsinhalt	68
2) Montage der CMT300	69
3) Installation der elektrofräse	71
4) Benutzung der CMT300 und standardschablone CMT300-T128	71
5) Optional-Schablone CMT300-T064	73
6) Optional-Schablone CMT300-T080	75 - 77 - 78
7) Optional-Schablone CMT300-T127	76 - 77 - 78
8) Optional-Schablone CMT300-T129	79 - 81 - 82 - 83
9) Optional-Schablone CMT300-T190	80 - 81 - 82 - 83
10) Schlussfolgerungen	83

Wir bedanken uns, dass Sie eines unserer Produkte gekauft haben und wünschen Ihnen eine gute und erfolgreiche Arbeit!! Mit unserem Universal-Montagesystem können Sie als Profi und als Heimwerker schnell und einfach jede Art von Verbindung herstellen. Dank der (separat erhältlichen) transparenten Universalbasis kann es an jede Elektrofräse angepasst werden.

1) Packungsinhalt

Die Packung enthält die folgenden Teile:

Nr.	Bestell-Nr.	Stk.
1	CMT300-01	1
2	CMT300-02	2
3	CMT300-03	4
4	CMT300-04	2
5	CMT300-T128	1
6	CMT300-06	4
7	CMT300-07	4
8	CMT300-08	4
9	CMT300-09	4
10	CMT300-10	4
11	CMT300-11	2
12	CMT300-12	2
13	CMT300-13	2
14	CMT300-14	4
15	CMT300-15	2
16	CMT300-16	4
18	CMT300-18	2
19	899.005.00	1
20	991.062.00	1
21	991.064.00	1



2) Montage der CMT300

Abb. 1: Zuerst müssen Sie die **CMT300** auf der Arbeitsbank befestigen. Dazu benutzen Sie die vier selbstschneidenden Schrauben.

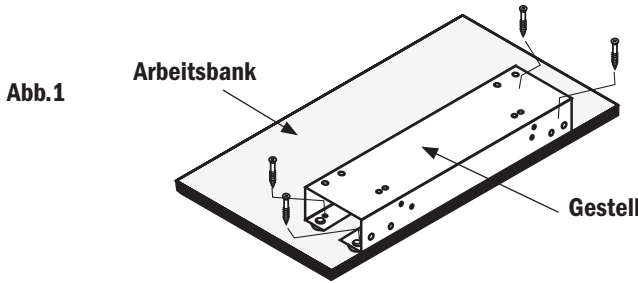


Abb. 2: Anhand dieser Skizze können Sie sehen, wie die Elemente zum Einstellen der Schablone montiert werden müssen. Ziehen Sie die Schraube 15 im Loch des Korpus mit dem mitgelieferten Inbusschlüssel gut fest, schrauben Sie auf der anderen Seite die Haltemutter 2 an, stecken Sie die Zwischenlegscheibe 11 auf und ziehen Sie die Mutter 12 von Hand fest. Wiederholen Sie diesen Vorgang auch auf der anderen Korpusseite.

Die Teile 3 und die Schrauben 10 dienen zum Positionieren des Holzes. Schrauben Sie die Anschläge 3 mit den Schrauben 10 am Korpus 1 an. Positionieren Sie die Anschläge auf den Stellen U1 am oberen und F1 am vorderen Teil der Anlage.

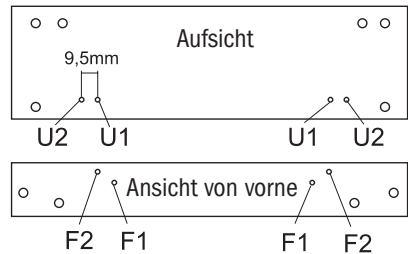
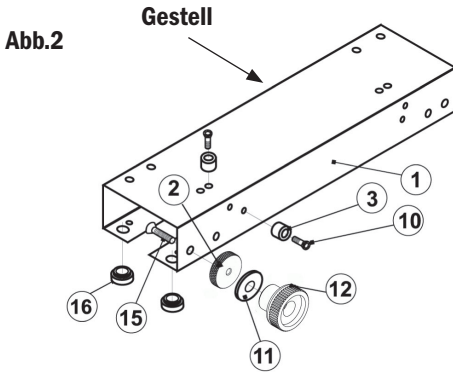


Abb. 3: Anhand dieser Skizze können Sie die Schablone 5 montieren. Die verstellbaren Auflagen 13 mit den vier Schrauben 14 befestigen.

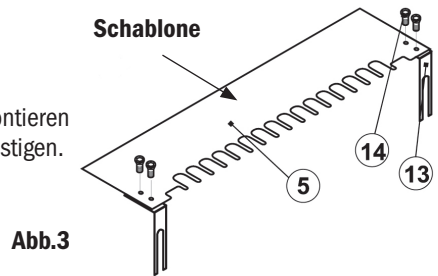
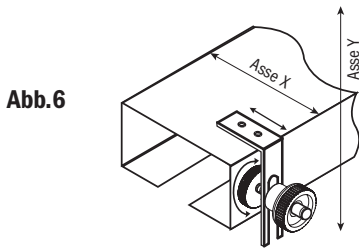
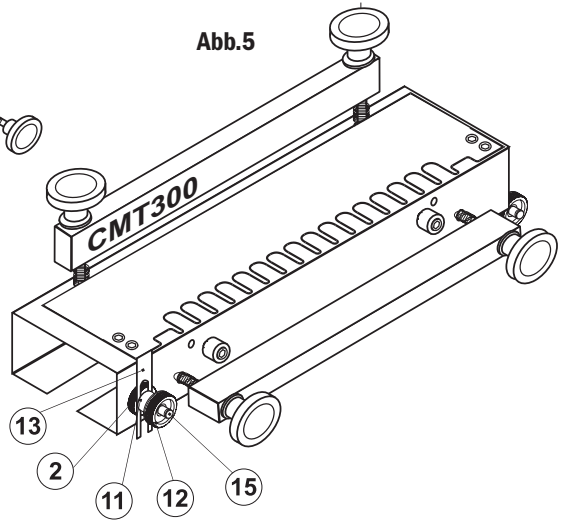
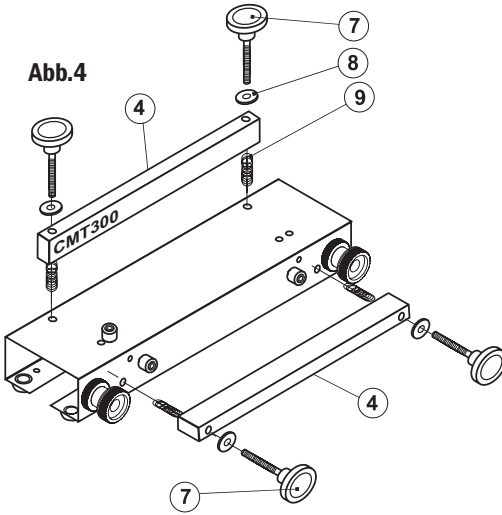


Abb. 4: Diese Skizze zeigt, wie die Stangen installiert werden, mit deren Hilfe Sie das Werkstück in seiner Stellung halten können. Die Stangen sind mit Glaspapier verkleidet. Dadurch haftet das Holz während der Bearbeitung besser und kann nicht verrutschen.

Setzen Sie die zwei Schrauben mit Nasenhebel 7 in die Zwischenlegscheiben 8, die Stange 4 und die Feder 9 ein.

Ziehen Sie die beiden Schrauben in den Gewindelöchern fest. Wiederholen Sie diesen Vorgang auch für die vordere Stange.



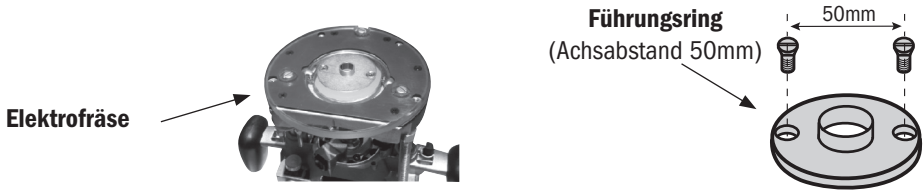
Einstellen der Schablone

Abb. 5: Platzieren Sie zum Schluss die Schablone auf dem Körper der **CMT300**. Setzen Sie dazu einfach die Auflager 13 zwischen die Teile 2 und 11 ein.

Abb. 6: Die positionierte Schablone können Sie nun in den Richtungen x und y einstellen. Für Einstellungen auf der x-Achse einfach die Mutter 2 lockern bzw. anziehen, für Einstellungen auf der y-Achse die Führungen 13 anheben oder absenken. Zum Schluss die Mutter 12 wieder anziehen. Nun ist die Montage beendet.

3) Installation der elektrofräse

Für die Benutzung des Systems **CMT300** benötigen Sie eine Elektrofräse, auf der Sie den Führungsring installieren müssen, mit dem die Maschine dann auf der Schablone geführt wird.



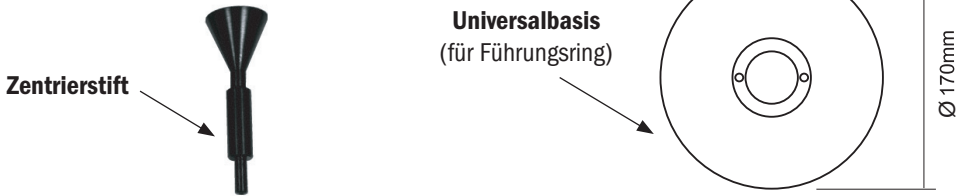
Kann der Führungsring aufgrund der Abmessungen nicht auf Ihrer Elektrofräse installiert werden, können Sie auch eine separat erhältliche Universalbasis kaufen.

Diese hat 170mm Außendurchmesser und einen Zentrierstift, mit dem sie auf jeder Elektrofräse korrekt montiert werden kann.

Als Zusatzausstattung separat erhältliche Universalbasis

CMT300-SB1 (für Anschluss Ø8 und Ø12mm)

CMT300-SB2 (für Anschluss Ø6.35 und Ø12.7mm)



Ist die Führung auf der Fräse installiert, können Sie einen CMT-Schwalbenschwanzfräser für die Ausführung der Bearbeitung montieren.

4) Benutzung der CMT300 mit standardschablone CMT300-T128

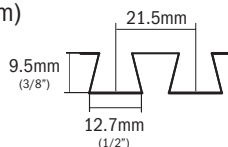
Zusammen mit dem System **CMT300** wird eine Standardschablone (**CMT300-T128**) geliefert, mit der Sie halbverdeckte 12,7-mm-Schwalbenschwanzverbindungen mit einem separat zu kaufenden, einfachen CMT-Schwalbenschwanzfräser ausführen können.

Mit der Standardschablone **CMT300-T128** einsetzbare Fräser:

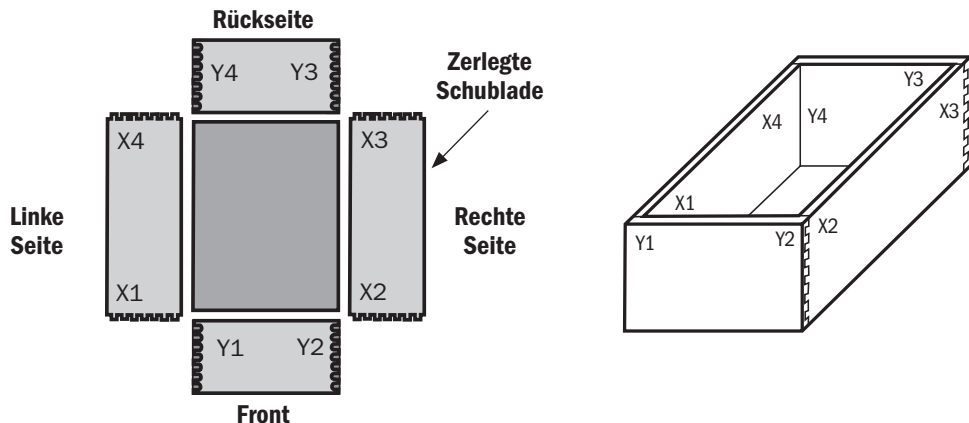
718.127.11 (Anschluss Ø6mm)

818.128.11 (Anschluss Ø6.35mm)

918.127.11 (Anschluss Ø8mm)



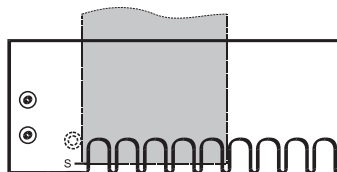
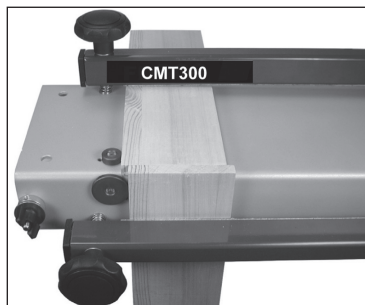
Beispiel für die Ausführung einer Lade mit Standardschablone CMT300-T128.



Mit jedem Durchgang der Elektrofräse auf dem Profil machen Sie eine komplette Verbindung (X1 mit Y1, X2 mit Y2 ...), für eine komplette Schublade sind 4 Zyklen erforderlich.

Positionieren der Holzteile und Bearbeitung:

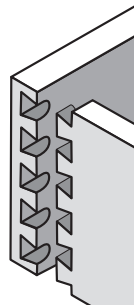
- 1) Mettete la parte in legno (X1, X2....) in verticale contro il piccolo paracolpi di posizionamento e stringete sufficientemente con la sbarra in modo che non scivoli.
- 2) Das Holzteil (Y1, Y2 ...) senkrecht gegen den kleinen Anschlag legen und gegen das vertikale Teil drücken.
- 3) Die beiden Holzelemente ausrichten.
- 4) Die Stange zum Feststellen des vertikalen Teils definitiv anziehen.
- 5) Die Stange zum Feststellen des horizontalen Teils definitiv anziehen.
- 6) Die Schablone platzieren und die Stellmuttern anziehen.



7) Immer nur von vorn und niemals von oben zum/vom Werkstück gehen, da sonst die Gefahr besteht, dass Sie die Führung verfehlen und die Verbindung nicht gelingt.

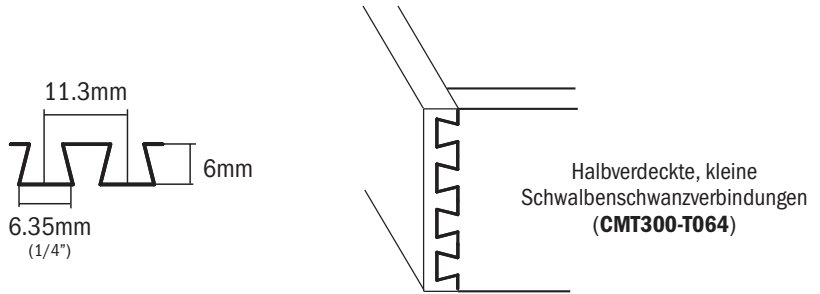
8) Die Elektrofräse positionieren, dem Profil der Schablone folgen und die Bearbeitung ausführen.

9) Ihre erste Montage ist fertig, die o. a. Schritte so oft als notwendig wiederholen.



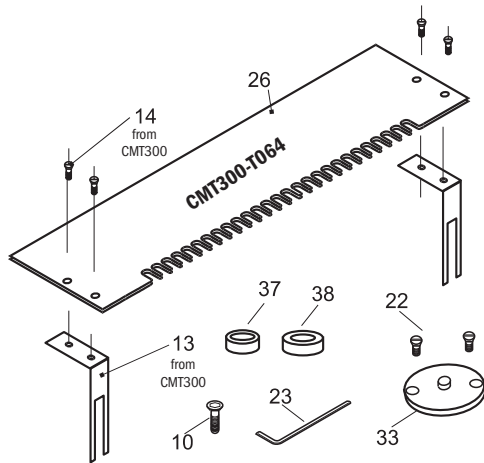
5) Optional-Schablone CMT300-T064

Als Optional können Sie die Schablone **CMT300-T064** kaufen, mit der Sie kleine, halbverdeckte Schwalben schwanzverbindungen herstellen können.



Packungsinhalt CMT300-T064:

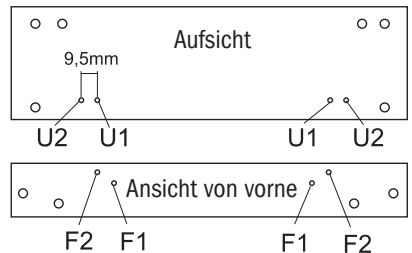
- 26)** Schablone **CMT300-T064**
- 14)** 4 Stk. Schrauben M4x8mm
- 37)** 2 Stk. Anschlagringe Ø15.8x6mm
- 38)** 2 Stk. Anschlagringe Ø28.6x4mm
- 10)** 4 Stk. Schrauben M4x16mm
- 33)** Führungsring Ø7.8x4mm
- 22)** 2 Stk. Schrauben M5x8mm
- 23)** Inbusschlüssel 2.5mm



Montage der Schablone: Diese Schablone wird wie die Standardschablone montiert.

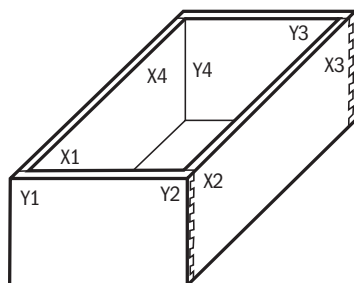
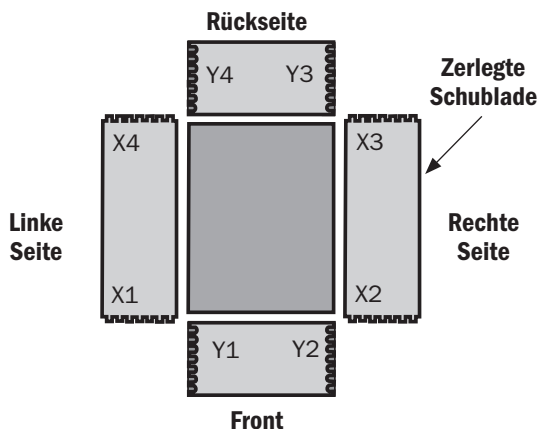
Nehmen Sie die Standardschablone vom System **CMT300** und ersetzen Sie sie durch die Schablone 26; befestigen Sie die neue Schablone mit den Schrauben 14 an den Auflagern 13 (die zum **CMT300** gehören). Die zur Standardausstattung gehörenden Anschlagringe werden durch die Ringe 37 und 38 ersetzt.

Die Ringe 38, die einen größeren Durchmesser haben als die Ringe 37, werden vorne an F2 montiert, die Ringe 37 im oberen Teil an U1.



Montage des Führungsrings: Um diese Schablone zu benutzen, müssen Sie den auf Ihrer Elektrofräse vorhandenen Führungsring abnehmen und durch den Ring 33 ersetzen und einen Schwalbenschwanzfräser (718.060.11 mit Anschluss Ø6mm oder 818.064.11 mit Anschluss Ø6.35mm) montieren, damit Sie Ihre Bearbeitung ausführen können.

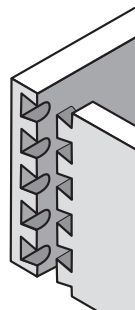
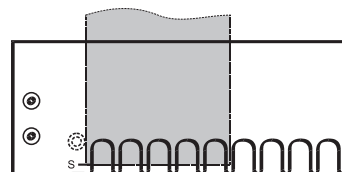
Beispiel für die Ausführung einer Lade mit Standardschablone CMT300-T064.



Mit jedem Durchgang der Elektrofräse auf dem Profil machen Sie eine komplette Verbindung (X1 mit Y1, X2 mit Y2 ...), für eine komplette Schublade sind 4 Zyklen erforderlich.

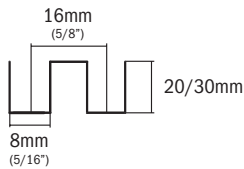
Positionieren der Holzteile und Bearbeitung:

- 1) Das Holzteil (X1, X2 ...) senkrecht gegen den kleinen Anschlag legen und mit der Stange so einspannen, dass es nicht wegrutscht.
- 2) Das Holzteil (Y1, Y2 ...) senkrecht gegen den kleinen Anschlag legen und gegen das vertikale Teil drücken.
- 3) Die beiden Holzelemente ausrichten.
- 4) Die Stange zum Feststellen des vertikalen Teils definitiv anziehen.
- 5) Die Stange zum Feststellen des horizontalen Teils definitiv anziehen.
- 6) Die Schablone platzieren und die Stellmuttern anziehen.
- 7) Immer nur von vorn und niemals von oben zum/vom Werkstück gehen, da sonst die Gefahr besteht, dass Sie die Führung verfehlen und die Verbindung nicht gelingt.
- 8) Die Elektrofräse positionieren, dem Profil der Schablone folgen und die Bearbeitung ausführen.
- 9) Ihre erste Montage ist fertig, die o. a. Schritte so oft als notwendig wiederholen.



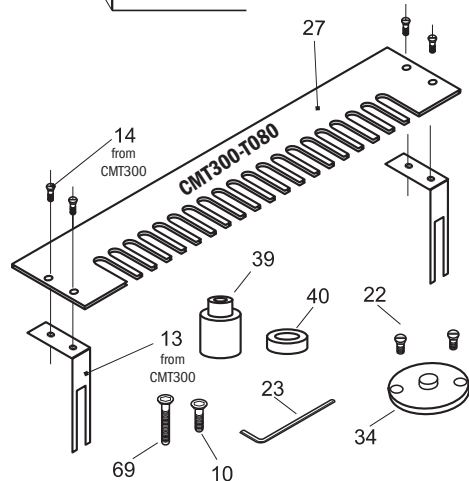
6) Optional-Schablone CMT300-T080

Als Optional können Sie die Schablone **CMT300-T080** kaufen, mit der Sie kleine Verbindungen mit geraden Zinken herstellen können.

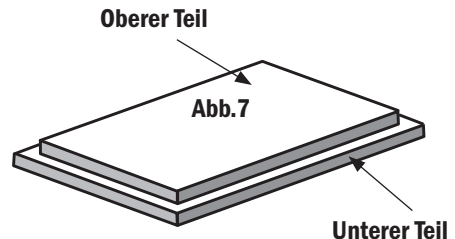
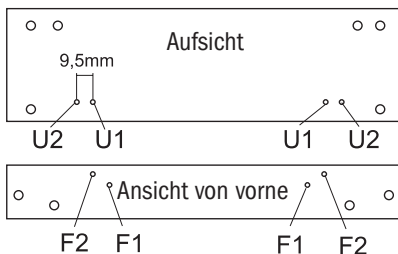


Packungsinhalt CMT300-T080:

- 27) Schablone **CMT300-T080**
- 14) 4 Stk. Schrauben M4x8mm
- 39) 2 Stk. Anschlagringe Ø15x7/Ø21x18
- 69) 2 Stk. Schrauben M4x35mm
- 40) 2 Stk. Anschlagringe Ø14x6mm
- 10) 2 Stk. Schrauben M4x16mm
- 34) Führungsring Ø11.1x4
- 22) 2 Stk. Schrauben M5x8mm
- 23) Inbusschlüssel 2.5mm



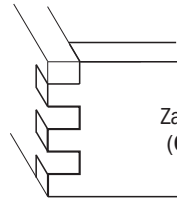
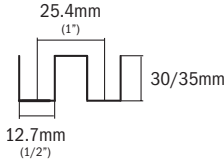
Montage der Schablone: Diese Schablone wird wie die Standardschablone montiert. Nehmen Sie die Standardschablone vom System **CMT300** und ersetzen Sie sie durch die Schablone 27; befestigen Sie die neue Schablone mit den Schrauben 14 an den Auflagern 13 (die zum **CMT300** gehören). Die zur Standardausstattung gehörenden Anschlagringe werden durch die Ringe 39 und 40 ersetzt. Die beiden Ringe 39 vorne in F2 montieren, die Ringe 40 vorne in F1, sie werden nur für eine spezielle Struktur benötigt, die in Abb. 7 gezeigt wird. In diesem Fall liegt der obere Teil des Werkstückes am Ring 40 und der untere Teil am Ring 39.



Montage des Führungsrings: Ersetzen Sie den auf Ihrer Elektrofräse vorhandenen Führungsring durch den Ring 34 und montieren Sie einen geraden Fräser (811.081.11 mit Anschluss Ø6.35mm - 912.080.11 mit Anschluss Ø8mm), damit Sie Ihre Bearbeitung ausführen können.

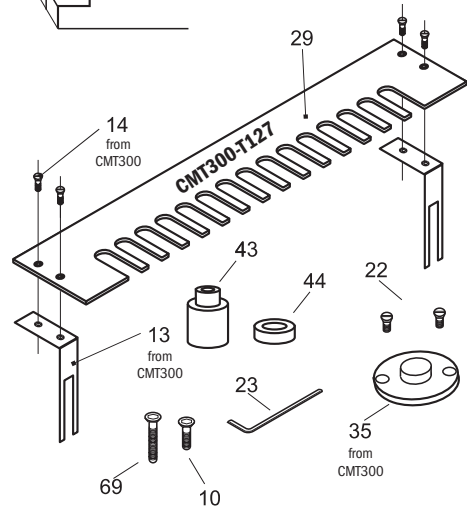
7) Optional-Schablone CMT300-T127

Als Optional können Sie die Schablone **CMT300-T127** kaufen, mit der Sie Zapfenverbindungen herstellen können.

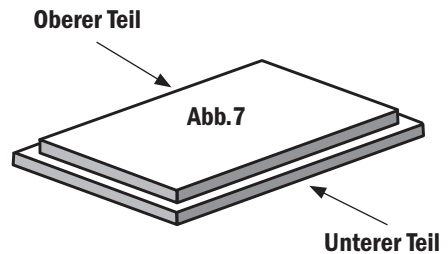
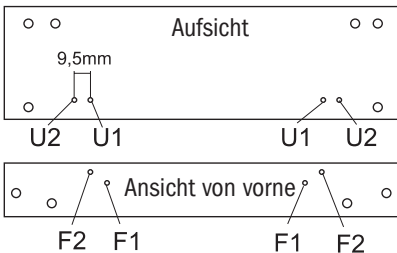


Packungsinhalt CMT300-T127:

- 29) Schablone **CMT300-T127**
- 14) 4 Stk. Schrauben M4x8mm
- 43) 2 Stk. Anschlagringe Ø7.8x7/Ø17.2x24
- 69) 2 Stk. Schrauben M4x40mm
- 44) 2 Stk. Anschlagringe Ø19.65x6mm
- 10) 2 Stk. Schrauben M4x16mm
- 23) Inbusschlüssel 2.5mm

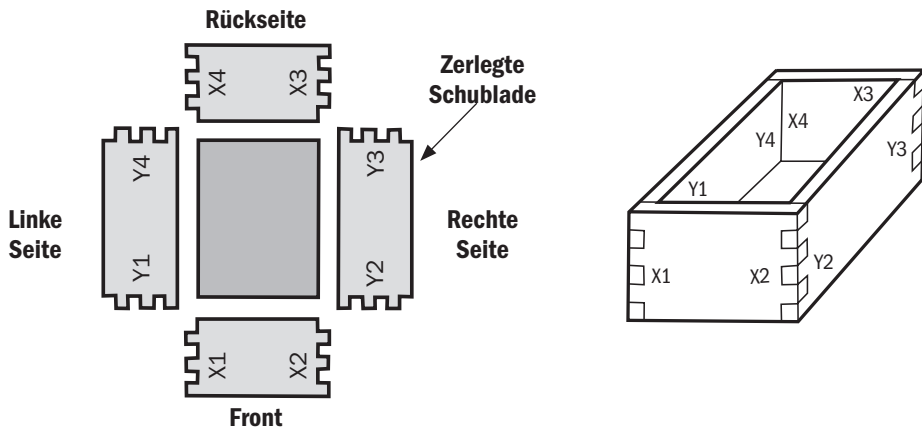


Montage der Schablone: Diese Schablone wird wie die Standardschablone montiert. Nehmen Sie die Standardschablone vom System **CMT300** und ersetzen Sie sie durch die Schablone 29; befestigen Sie die neue Schablone mit den Schrauben 14 an den Auflagen 13 (die zum **CMT300** gehören). Die zur Standardausstattung gehörenden Anschlagringe werden durch die Ringe 43 und 44 ersetzt. Die beiden (Längeren) Ringe 43 vorne in F2 montieren, die Ringe 44 vorne in F1, sie werden nur für Werkstücke mit einer besonderen Form benötigt, die in Abb. 7 gezeigt wird. In diesem Fall liegt der obere Teil des Werkstückes am Ring 44 und der untere Teil am Ring 43.

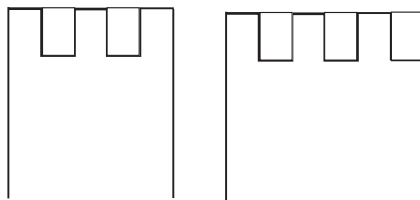


Montage des Führungsrings: Montieren Sie den auf Ihrem **CMT300** vorhandenen Führungsring 35 (Ø15.8x4mm) und einen geraden CMT-Fräser (812.127.11 mit Anschluss Ø6.35mm - 912.127.11 mit Anschluss 8mm - 812.627.11 mit Anschluss Ø12.7mm), damit Sie Ihre Bearbeitung ausführen können.

Beispiel für die Ausführung einer Lade mit Schablone CMT300-T080 und CMT300-T127:

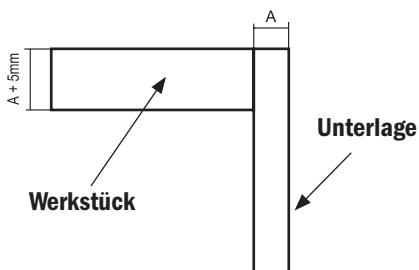


Mit einer Bearbeitung stellen Sie eine Verbindung X1, X2 ..., Y1, Y2 ... her, d. h., für eine komplette Schublade sind 8 Zyklen erforderlich.



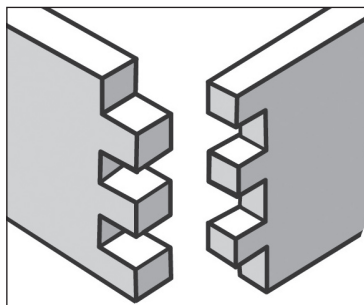
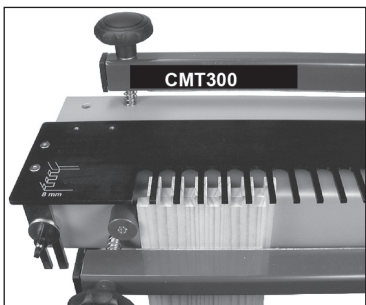
Mit diesen beiden Schablonen können Sie also zwei Arten von Verbindungen herstellen, wie aus den folgenden Zeichnungen ersichtlich ist.

Für die Bearbeitung müssen Sie ein Holzstück, das 5mm stärker ist als das zu bearbeitende Werkstück und das Sie nachher wegwerfen können, waagrecht auflegen. Dieses Holzteil fungiert lediglich als Unterlage für das vertikale Werkstück.



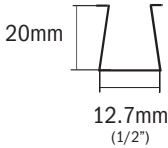
Positionieren der Holzteile und Bearbeitung:

- 1) Das Holzteil (X1 ..., Y1 ...) senkrecht gegen den kleinen Anschlag legen und mit der Stange so einspannen, dass es nicht wegrutscht.
- 2) Die Unterlage waagrecht aufliegen und gegen das vertikale Werkstück drücken.
- 3) Das Ende der beiden Holzteile ausrichten.
- 4) Die Stange zum Feststellen des vertikalen Teils definitiv anziehen.
- 5) Die Stange zum Feststellen des horizontalen Teils definitiv anziehen.
- 6) Die Schablone platzieren und die Stellmuttern anziehen.
- 7) Mit der Elektrofräse immer nur von vorn und niemals von oben zum/vom Werkstück gehen, da sonst die Gefahr besteht, dass Sie die Führung verfehlen und die Verbindung nicht gelingt.
- 8) Die Elektrofräse positionieren, dem Profil der Schablone folgen und die Bearbeitung ausführen.
- 9) Ihre erste Montage ist fertig, die o. a. Schritte so oft als notwendig wiederholen.



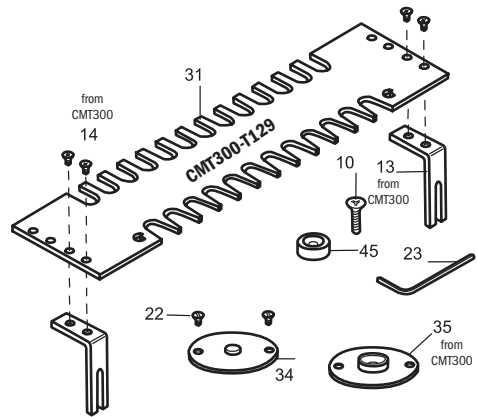
8) Optional-Schablone CMT300-T129

Als Optional können Sie die Schablone **CMT300-T129** kaufen, mit der Sie offene Schwalbenschwanzverbindungen 12.7x20mm herstellen können.

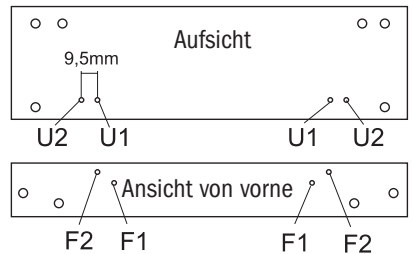


Packungsinhalt CMT300-T129

- 31) Schablone **CMT300-T129**
- 14) 4 Stk. Schrauben M4x8mm
- 45) 2 Stk. Anschlagringe Ø21.85x6mm
- 10) 2 Stk. Schrauben M4x16mm
- 34) Führungsring Ø11.1x4mm
- 22) 2 Stk. Schrauben M5x8mm
- 23) Inbusschlüssel 2.5mm



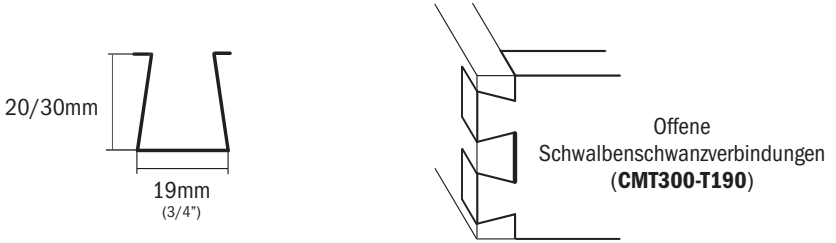
Montage der Schablone: Diese neue Schablone wird wie die Standardschablone montiert. Nehmen Sie die Standardschablone vom System **CMT300** und ersetzen Sie sie durch die Schablone 31; befestigen Sie die neue Schablone mit den Schrauben 14 an den Auflagen 13 (die zum **CMT300** gehören). Die zur Standardausstattung gehörenden Anschlagringe werden durch die Ringe 45 ersetzt, die vorne in F2 montiert werden.



Montage des Führungsrings: Diese Schablone hat zwei Seiten, da die Verbindung mit zwei Fräsern - je ein Fräser pro Seite - ausgeführt wird. Auf der ersten, geraden Seite, benutzt man den Schwalbenschwanzfräser Ø12.7 (818.129.11 mit Anschluss Ø6.35mm oder 918.129.11 mit Anschluss Ø8mm) mit dem Standard-Führungsring Ø15.8x4mm (gehört zum **CMT300**), auf der Schwalbenschwanzseite benutzt man den geraden Fräser Ø8mm (811.081.11 mit Anschluss Ø6.35mm oder 912.080.11 mit Anschluss Ø8mm) mit dem Ring 34 (Ø11.1x4mm), der mit der Schablone mitgeliefert wird.

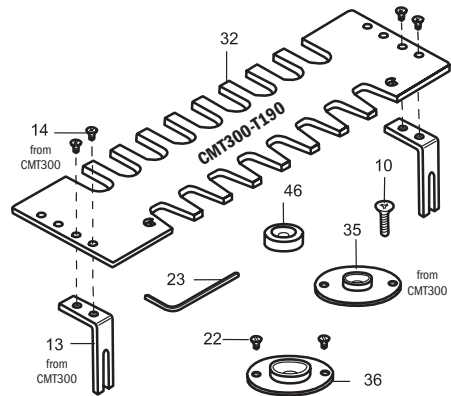
9) Optional-Schablone CMT300-T190

Als Optional können Sie die Schablone **CMT300-T190** kaufen, mit der Sie offene Schwalbenschwanzverbindungen 19x22mm herstellen können.

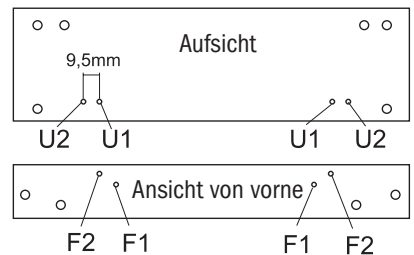


Packungsinhalt CMT-T190

- 32)** Schablone **CMT300-T190**
- 14)** 4 Stk. Schrauben M4x8mm
- 46)** 2 Stk. Anschlagringe Ø16.3x6mm
- 10)** 2 Stk. Schrauben M4x16mm
- 36)** Führungsring Ø22x4mm
- 22)** 2 Stk. Schrauben M5x8mm
- 23)** Inbusschlüssel 2.5mm

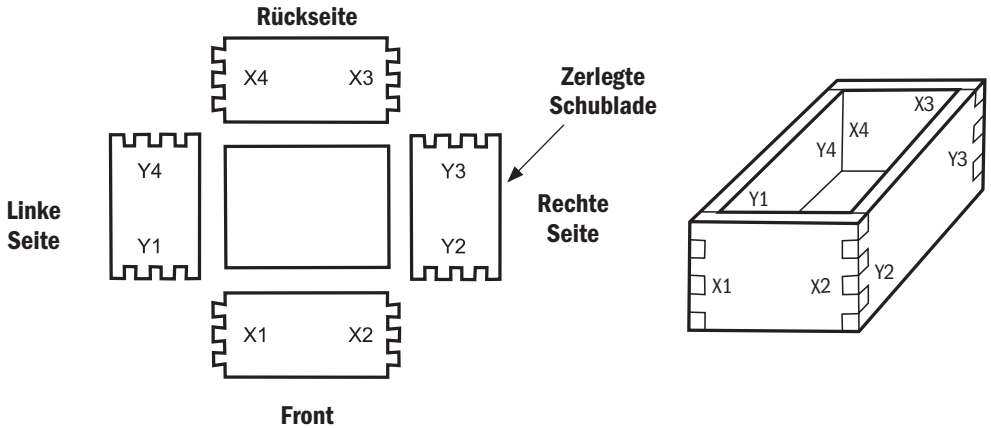


Montage der Schablone: Diese Schablone wird wie die Standardschablone montiert. Nehmen Sie die Standardschablone vom System **CMT300** und ersetzen Sie sie durch die Schablone 32; befestigen Sie die neue Schablone mit den Schrauben 14 an den Auflagen 13 (die zum **CMT300** gehören). Die zur Standardausstattung gehörenden Anschlagringe werden durch die Ringe 46 ersetzt, die vorne in F2 montiert werden.



Montage des Führungsrings: Diese Schablone hat zwei Seiten, da die Verbindung mit zwei Fräsern - je ein Fräser pro Seite - ausgeführt wird. Auf der ersten, geraden Seite, benutzt man den Schwalbenschwanzfräser Ø19mm (718.190.11 Anschluss Ø6mm - 818.190.11 Anschluss Ø6.35mm - 918.190.11 Anschluss Ø8mm - 918.690.11 Anschluss Ø12mm - 818.690.11 Anschluss Ø12.7mm) mit dem mit der Schablone mitgelieferten Führungsring 36 (Ø22x4mm), auf der Schwalbenschwanzseite benutzt man den geraden Fräser Ø12.7mm (812.127.11 Anschluss Ø6.35mm - 912.127.11 Anschluss Ø8mm - 811.627.11 Anschluss Ø12.7mm) mit dem mit dem **CMT300** mitgelieferten Standardring (Ø15.8x4mm).

Beispiel für die Ausführung einer Lade mit Schablone CMT300-T129 und CMT300-T190:

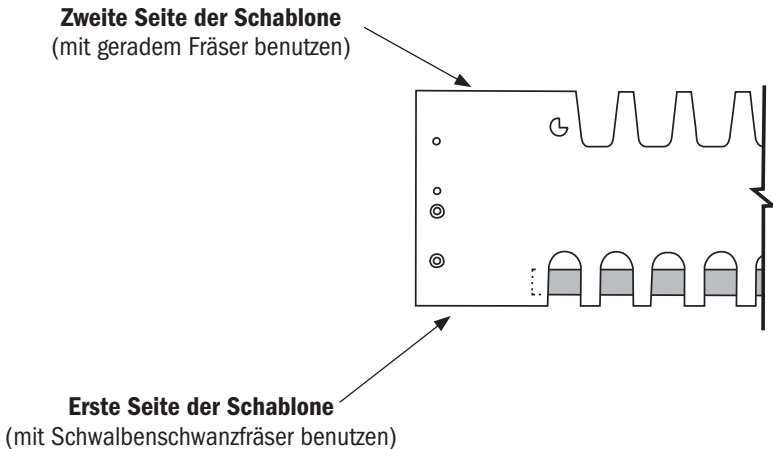


Mit jedem fertigen Durchgang stellen Sie eine Verbindung X1, X2 ..., Y1, Y2 ... her, für eine komplette Schublade sind also 8 Zyklen erforderlich.

Benutzung der beiden Seiten:

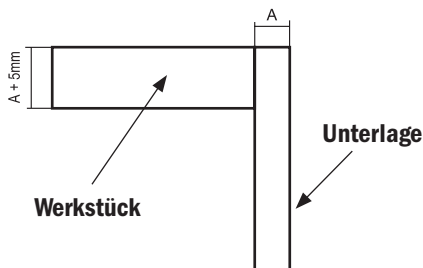
Der ersten Teil der Schablone (mit geraden Rillen) dient zum Ausführen der X (X1, X2 ...) mit einem CMT-Schwalbenschwanzfräser und dem entsprechenden Führungsring.

Der zweite Teil der Schablone (Schwalbenschwanz) dient zum Ausführen der Y (Y1, Y2 ...) mit einem geraden Fräser und dem entsprechenden Führungsring.



Für die Bearbeitung der Holzstücke müssen Sie ein Holzstück, das 5mm stärker ist als das zu bearbeitende Werkstück und das Sie nachher wegwerfen können, waagrecht auflegen.

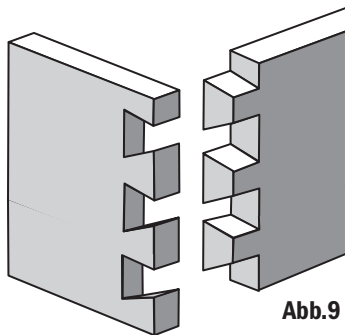
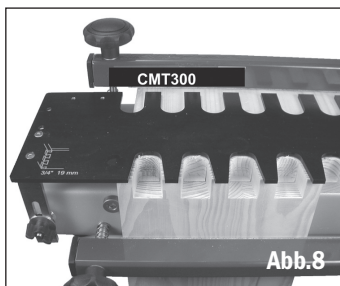
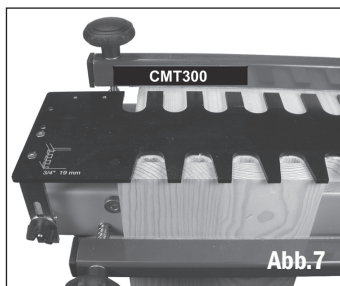
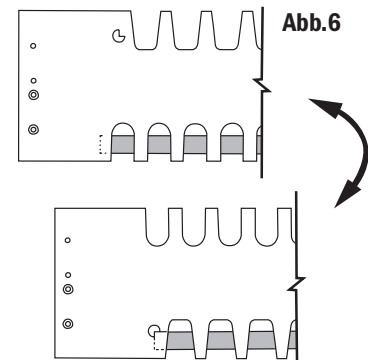
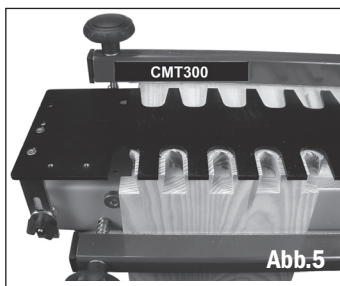
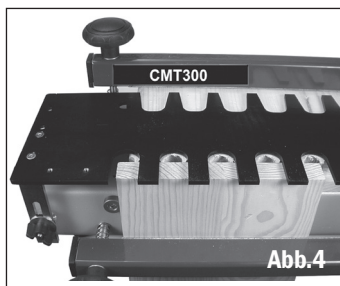
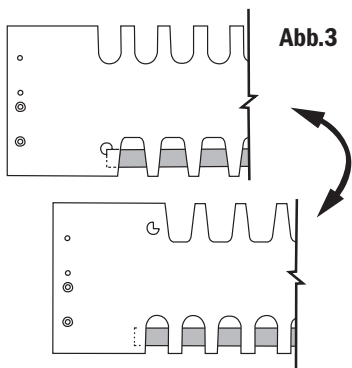
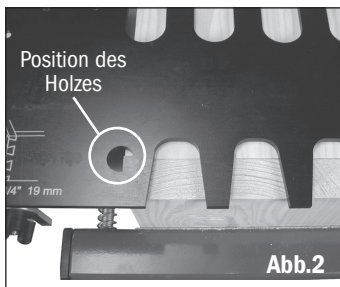
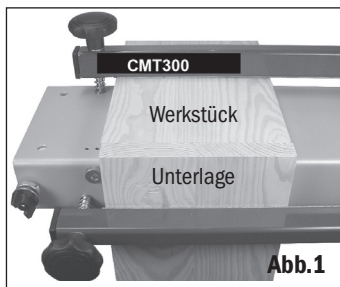
Diese Unterlage dient lediglich dazu, das vertikale Werkstück am Anschlag zu halten.



Positionieren der Holzteile und Bearbeitung:

- 1) Das Holzteil X1 vertikal gegen den kleinen Anschlag legen und die Stange so weit anziehen, dass es nicht verrutschen kann.
- 2) Die Unterlage waagrecht auflegen und gegen das vertikale Teil drücken.
- 3) Das Ende der beiden Holzteile ausrichten.
- 4) Die Stange zum Feststellen des vertikalen Teils definitiv anziehen.
- 5) Die Stange zum Feststellen des waagrechteten Teils definitiv festziehen.
- 6) Die Schablone auf der zweiten Seite platzieren (Schwalbenschwanzseite) und sich im kleinen Loch der Schablone vergewissern, dass die beiden Teile gut ausgerichtet sind.
- 7) Die Schablone auf die erste Seite (mit den geraden Rillen) drehen. Achten Sie darauf, dass Sie den richtigen Führungsring und den CMT-Schwalbenschwanzfräser benutzen.
- 8) Nur von vorne und niemals von oben zum Werkstück gehen, damit Sie die Führung nicht verfehlen.
- 9) Die Elektrofräse ansetzen, dem Profil der Schablone folgen und die Bearbeitung ausführen.
- 10) Ihre erste Montage ist fertig, die o. a. Schritte so oft als notwendig wiederholen, um alle X-Verbindungen auszuführen.
- 11) Nehmen Sie die Schablone ab und lassen Sie die Unterlage liegen.
- 12) Das Holzteil Y1 vertikal gegen den kleinen Anschlag legen und die Stange so weit anziehen, dass es nicht verrutschen kann.
- 13) Das Ende der beiden Holzteile ausrichten.
- 14) Die Stange zum Feststellen des vertikalen Teils definitiv festziehen.
- 15) Die Schablone auf die zweite Seite (Schwalbenschwanzseite) drehen. Achten Sie darauf, dass Sie den richtigen Führungsring und den geraden CMT-Fräser benutzen.
- 16) Nur von vorne und niemals von oben zum Werkstück gehen, damit Sie die Führung nicht verfehlen.
- 17) Die Elektrofräse ansetzen, dem Profil der Schablone folgen und die Bearbeitung ausführen.
- 18) Ihre erste Montage ist fertig, die o. a. Schritte so oft als notwendig wiederholen, um alle restlichen Verbindungen auszuführen.

Auf der folgenden Seite finden Sie die Abbildungen, die die oben beschriebenen Schritte veranschaulichen.



10) Schlussfolgerungen:

Sie haben gerade versucht, das System **CMT300** zu montieren und zu benutzen. Als Ergänzung zu dieser Anleitung finden Sie hier die Unterlagen zu den Komponenten mit den Artikelnummern des Systems **CMT300** sowie zu den als Optional erhältlichen Schablonen, die Beschreibung der zu benutzenden Fräser und die entsprechenden Artikelnummern.

Wir wünschen Ihnen eine erfolgreiche Arbeit mit dem System **CMT300**.

INDEKS	strona
1) Zawartość zestawu	84
2) Montaż CMT300	85
3) Instalacja frezarki pionowej z ręcznym posuwem	87
4) Stosowanie CMT300 ze standardowym szablonem CMT300-T128	87
5) Opcjonalny szablon CMT300-T064	89
6) Opcjonalny szablon CMT300-T080	91 - 93 - 94
7) Opcjonalny szablon CMT300-T127	92 - 93 - 94
8) Opcjonalny szablon CMT300-T129	95 - 97 - 98 - 99
9) Opcjonalny szablon CMT300-T190	96 - 97 - 98 - 99
10) Podsumowanie	99

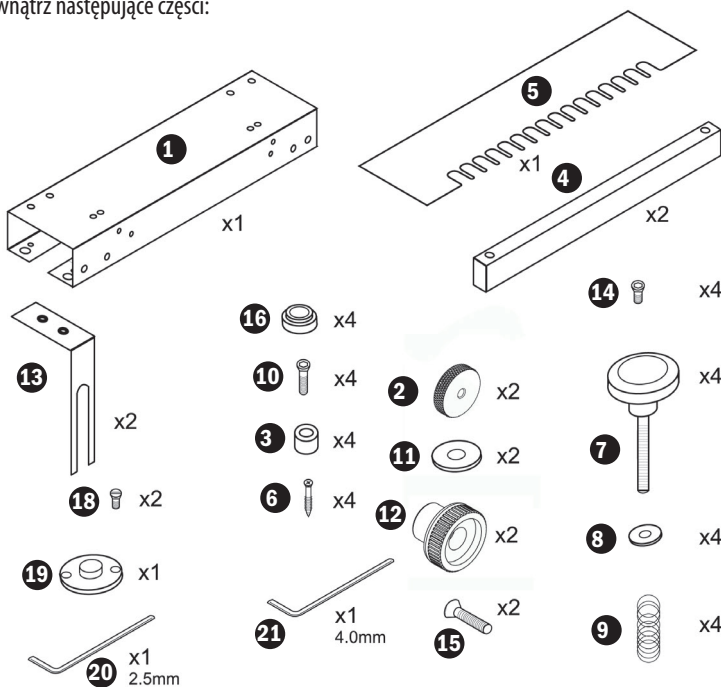
Dziękujemy za zakup naszych produktów. Życzymy wielu godzin satysfakcjonującej pracy z ich użyciem!
Bez względu na to, czy jesteś fachowcem czy amatorem, nasz uniwersalny system montażu umożliwi Ci wykonanie każdego rodzaju połączenia łatwo i szybko.

System ten można dostosować do każdego rodzaju frezarki pionowej z ręcznym posuwem dzięki jego specjalnej, uniwersalnej bazie z przezroczystego tworzywa PETG (sprzedawana oddzielnie).

1. Zawartość zestawu

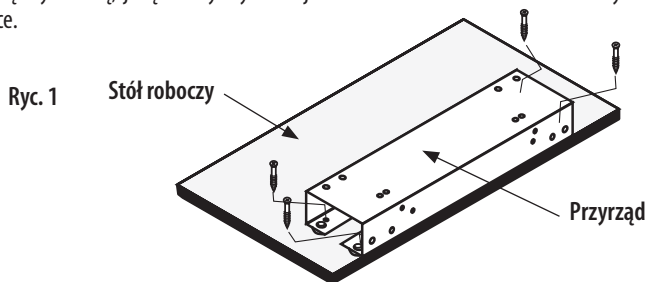
Po otwarciu opakowania, znajdziesz wewnątrz następujące części:

Lp.	Nr katalogowy	Ilość
1	CMT300-01	1
2	CMT300-02	2
3	CMT300-03	4
4	CMT300-04	2
5	CMT300-T128	1
6	CMT300-06	4
7	CMT300-07	4
8	CMT300-08	4
9	CMT300-09	4
10	CMT300-10	4
11	CMT300-11	2
12	CMT300-12	2
13	CMT300-13	2
14	CMT300-14	4
15	CMT300-15	2
16	CMT300-16	4
18	CMT300-18	2
19	899.005.00	1
20	991.062.00	1
21	991.064.00	1



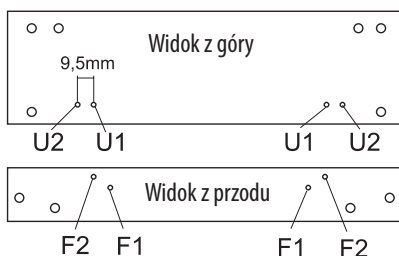
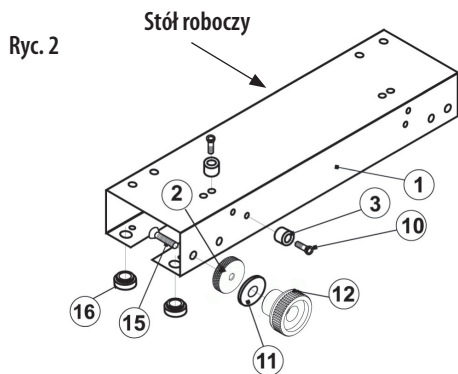
2) Montaż CMT300

Ryc. 1: Pierwszą czynnością, jaką należy wykonać jest montaż CMT300 na stole roboczym. Do tego celu służą cztery wkręty samogwintujące.



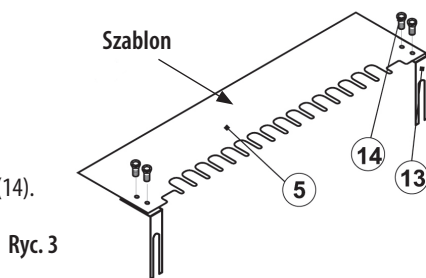
Ryc. 2: Poniższy rysunek pozwala zrozumieć w jaki sposób należy zamontować elementy umożliwiające regulację pozycji szablonu. Najpierw zamontuj śrubę 15 w otworze przyrządu, używając klucza szesnastkowego (w zestawie) i starannie ją zaciskając oraz zamocuj nakrętkę zabezpieczającą 2 po drugiej stronie, a następnie nakrętkę radełkowaną 2B. Umieść podkładkę 11 i ręcznie zaciśnij nakrętkę 12. Tę samą procedurę powtórz po drugiej stronie korpusu przyrządu.

Elementy (3) i śruby (10) służą do ustawiania drewna. Zaciśnij ograniczniki (3) na korpusie (1) za pomocą śrub (10). Ustaw ograniczniki w pozycjach U1 na górnej powierzchni przyrządu i F1 na przedniej części przyrządu.



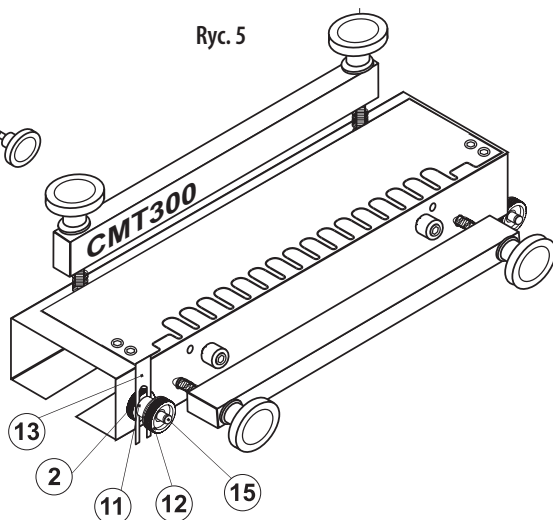
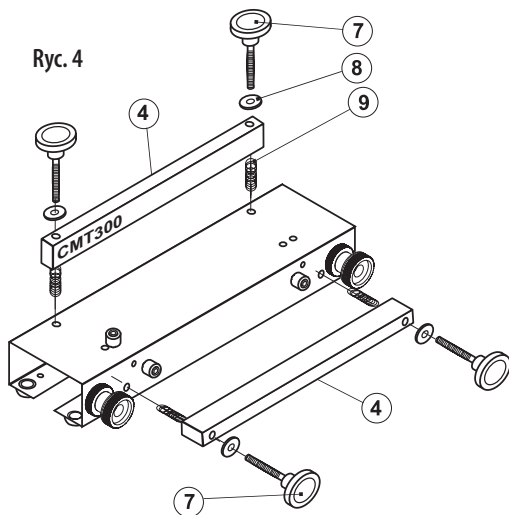
Ryc. 3: Niniejszy rysunek umożliwia montaż szablonu 5.

Zamocuj na nim dwa regulowane wsporniki (13) za pomocą czterech śrub (14).

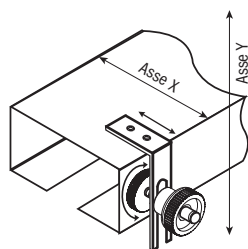


Ryc. 4: Schemat ten przedstawia sposób instalacji listew dociskowych, które będą trzymać obrabiany przedmiot na miejscu. Listwy te mają powłokę z papieru ściernego, która zapewnia większą stabilność i zmniejsza ryzyko poruszania się obrabianego przedmiotu w trakcie obróbki.

Zamocuj dwie śruby z nadwymiarowymi gałkami blokującymi (7) na podkładkach (8) w listwie (4) i w sprężynie (9). Teraz wystarczy tylko docisnąć dwie śruby z nadwymiarowymi gałkami blokującymi w gwintowanych otworach. Tę samą procedurę powtórz przy montażu listwy z przodu.



Ryc. 6



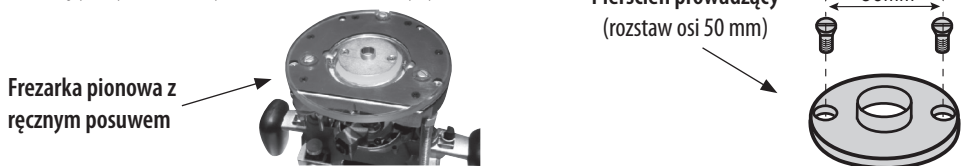
Regulacja szablony

Ryc. 5: Na koniec, umieść szablony na korpusie przyrządu CMT300. Zamontuj wsporniki (13) pomiędzy elementami 2 i 11.

Ryc. 6: Po umieszczeniu szablony na miejscu można go regulować w dwóch osiach – X i Y. Wystarczy tylko docisnąć lub poluzować nakrętkę blokującą (2A/B), aby dokonać ustawić w osi X oraz podnieść lub obniżyć prowadnice (13), aby dokonać ustawić w osi Y. Po dokonaniu właściwego ustawienia, dociśnij nakrętkę 12, aby zablokować szablony w wybranym miejscu. Montaż jest już kompletny.

3) Instalacja frezarki pionowej z ręcznym posuwem

Do korzystania z systemu **CMT300** konieczna jest frezarka pionowa z ręcznym posuwem, na której należy zamontować pierścień prowadzący, aby możliwe było kontrolowanie maszyny na szablonie.



Jeśli instalacja pierścienia prowadzącego na używanej frezarce okaże się niemożliwa (ze względu na wymiary), dostępna jest uniwersalna baza (sprzedawana oddzielnie).

Baza ta ma średnicę zewnętrzną o długości 170 mm i sprzedawana jest wraz z kołkiem osiującym/centrującym, który umożliwi poprawny montaż na frezarce.

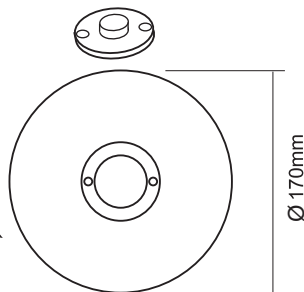
Opcjonalna uniwersalna baza sprzedawana oddzielnie

CMT300-SB1 (dla frezów z trzpieniem $\varnothing 8$ i $\varnothing 12$ mm)

CMT300-SB1 (dla frezów z trzpieniem $\varnothing 6,35$ i $\varnothing 12,7$ mm)



Uniwersalna baza
(pod pierścień prowadzący)



Po zainstalowaniu prowadnicy na frezarce, można zamontować frez do połączeń na „jaskółczy ogon” CMT do obróbki drewna.

4) Stosowanie CMT300 ze standardowym szablonem CMT300-T128

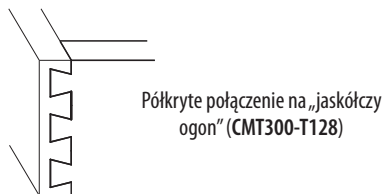
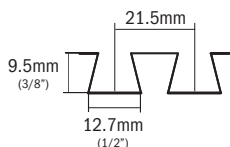
System **CMT300** obejmuje standardowy szablon (**CMT300-T128**), z użyciem którego można dokonywać obróbki 12,7-mm półkrytych połączeń na „jaskółczy ogon” za pomocą zwykłego frezu do połączeń na „jaskółczy ogon” CMT (sprzedawany oddzielnie).

Frezy, które można stosować ze standardowym szablonem **CMT300-T128**:

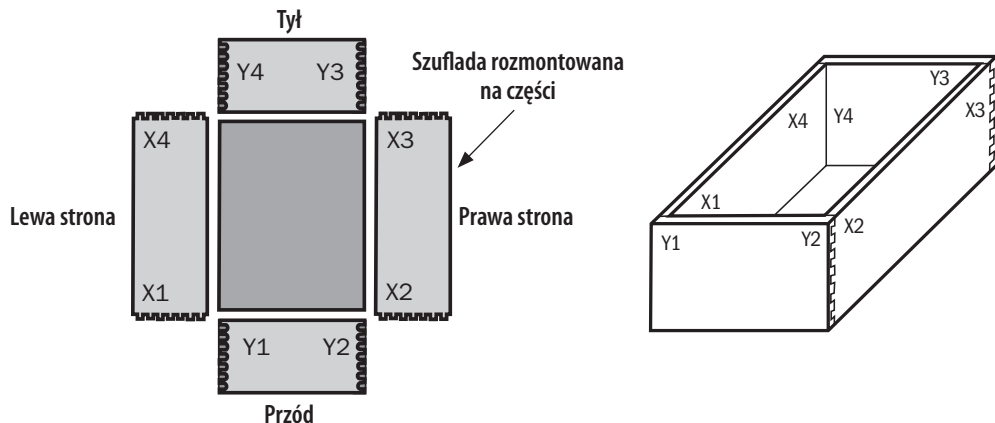
718.127.11 (trzpień $\varnothing 6$ mm)

818.128.11 (trzpień $\varnothing 6,35$ mm)

918.127.11 (trzpień $\varnothing 8$ mm)



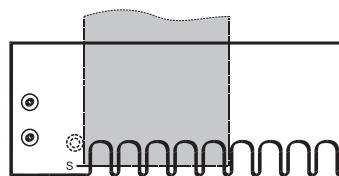
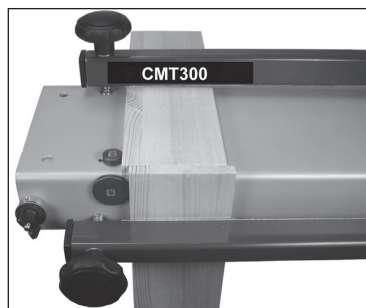
Przykład wykonania szuflady za pomocą standardowego szablonu CMT300-T128:



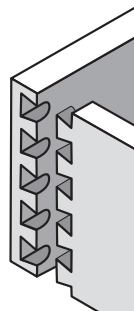
Po każdym jednorazowym przejściu frezarki po krawędzi materiału obrabiane jest jedno kompletne połączenie (X1 z Y1, X2 z Y2), zatem aby wykonać całą szufladę, należy przeprowadzić cztery cykle pracy.

Ustawienie drewnianych elementów i ich obróbka:

- 1) Umieść drewniany element (X1, X2....) pionowo, dosuwając go do niewielkiego separatora i zaciśnij odpowiednio za pomocą listwy, aby nie wypadł.
- 2) Umieść drewniany element (X1, X2....) poziomo, dosuwając go do niewielkiego separatora i zaciśnij odpowiednio za pomocą listwy, aby nie wypadł.
- 3) Wyrównaj oba kawałki drewna.
- 4) Docisnij do oporu listwę dociskową części pionowej.
- 5) Docisnij do oporu listwę dociskową części poziomej.
- 6) Ustaw szablon i docisnij nakrętki, które trzymają go na miejscu.

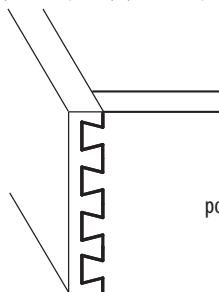
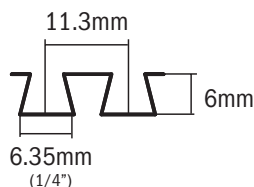


- 7) Ruchy do i od obrabianego przedmiotu wykonuj od przodu – nie od góry – aby uniknąć ryzyka pominięcia prowadnicy i zniszczenia połączenia.
- 8) Ustaw frezarkę i poruszaj się zgodnie z profilem szablonu, aby wykonać obróbkę.
- 9) Pierwszy element jest gotowy – powtarzaj opisaną procedurę tak często, jak potrzebujesz.



5) Opcjonalny szablon CMT300-T064

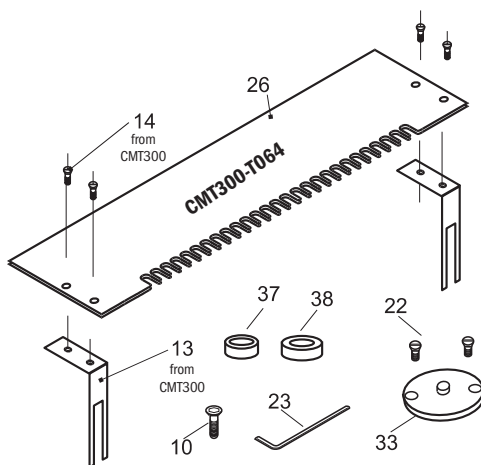
Szablon CMT300-T064 można zakupić dodatkowo. Umożliwia on wykonywanie półkrytych mini połączeń na „jaskółczy ogon”.



Półkryte mini połączenia na „jaskółczy ogon” (CMT300-T064)

Zawartość zestawu CMT300-T064:

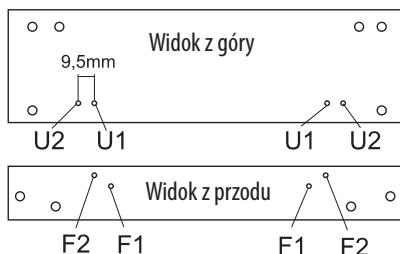
- 26) Szablon CMT300-T064
- 14) Cztery śruby M4x8 mm
- 37) Dwa pierścienie blokujące Ø15,8x6 mm
- 38) Dwa pierścienie blokujące Ø28,6x4 mm
- 10) Cztery śruby M4x16 mm
- 33) Pierścien prowadzący Ø7,8x4 mm
- 22) Dwie śruby M5x8 mm
- 23) 2,5 mm klucz szesnastkowy



Montaż szablonu: ten szablon montuje się w taki sam sposób jak model standardowy.

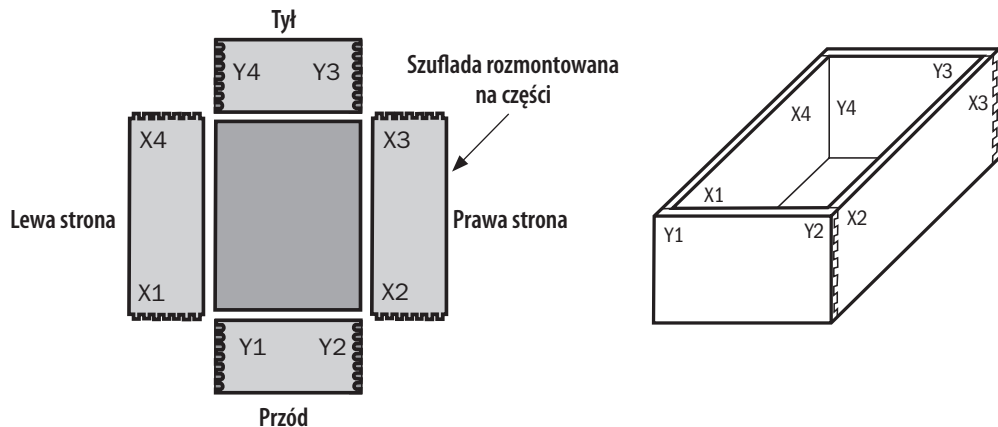
Wyjmij szablon standardowy z systemu CMT300 i zastąp go szablonem 26, mocując go na wspornikach (13 – w zestawie CMT300), za pomocą śrub (14). Pierścienie blokujące (37 i 38) zastępują pierścienie standardowe z zestawu.

Pierścienie 38, które mają większą średnicę niż pierścienie 37 montuje się z przodu w pozycji F2, natomiast pierścienie 37 montuje się na części górnej, w pozycji U1.



Montaż pierścienia prowadzącego: aby móc korzystać z tego szablonu, musisz zdemontować pierścien prowadzący znajdujący się na frezarce i zastąpić go drugim pierścieniem (33). Następnie zamontuj frez do połączeń na „jaskółczy ogon” (718.060.11 z trzpieniem Ø6 mm lub 818.064.11 z trzpieniem Ø6,35 mm), aby wykonać obróbkę.

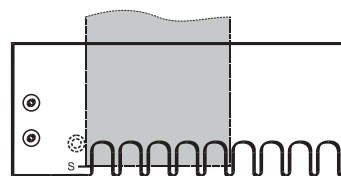
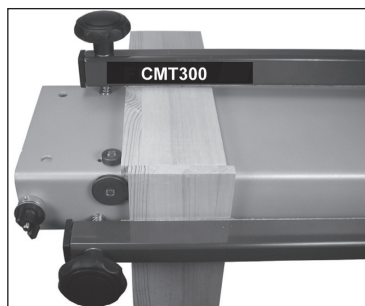
Przykład wykonania szuflady za pomocą standardowego szablonu CMT300-T064:



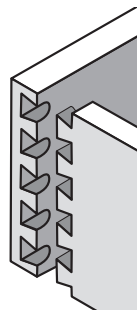
Po każdym jednorazowym przejściu frezarki obrabiane jest jedno kompletne połączenie na obrabianym przedmiocie (X1 z Y1, X2 z Y2), zatem aby wykonać całą szufladę, należy przeprowadzić cztery cykle pracy.

Ustawienie drewnianych elementów i ich obróbka:

- 1) Umieść drewniany element (X1, X2....) pionowo, dosuwając go do niewielkiego separatora i zaciśnij odpowiednio za pomocą listwy, aby nie wypadł.
- 2) Umieść drewniany element (X1, X2....) poziomo, dosuwając go do niewielkiego separatora i zaciśnij odpowiednio za pomocą listwy, aby nie wypadł.
- 3) Wyrównaj oba kawałki drewna.
- 4) Docisnij do oporu listwę dociskową części pionowej.
- 5) Docisnij do oporu listwę dociskową części poziomej.
- 6) Ustaw szablon i docisnij nakrętki, aby przytrzymać go na miejscu.

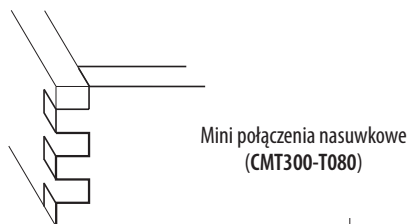
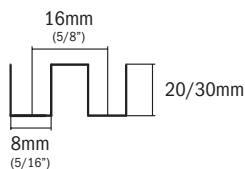


- 7) Ruchy do i od obrabianego przedmiotu wykonuj od przodu – nie od góry – aby uniknąć ryzyka pominięcia prowadnicy i zniszczenia połączenia.
- 8) Ustaw frezarkę i poruszaj się zgodnie z profilem szablonu, aby wykonać obróbkę.
- 9) Pierwszy element jest gotowy – powtarzaj opisaną procedurę tak często, jak potrzebujesz.



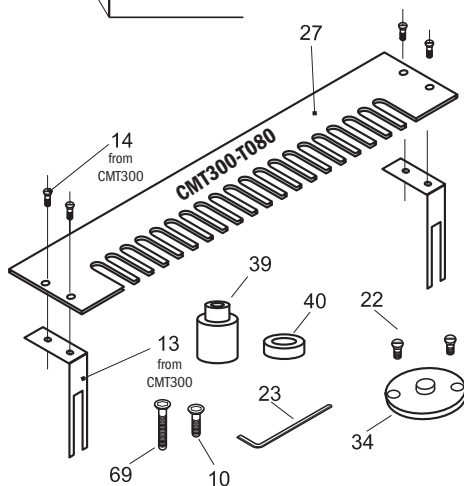
6) Opcjonalny szablon CMT300-T080

Szablon CMT300-T080 można zakupić dodatkowo. Umożliwia on wykonywanie mini połączeń nasuwkowych.

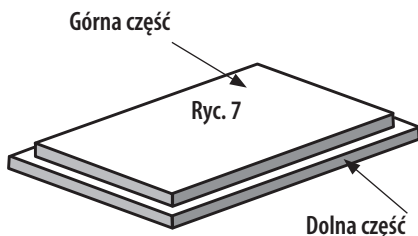
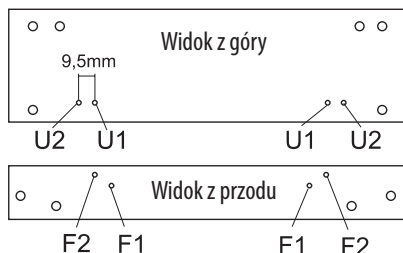


Zawartość zestawu CMT300-T080:

- 27) Szablon CMT300-T080
- 14) Cztery śruby M5x8 mm
- 39) Dwa pierścienie blokujące $\varnothing 15 \times 7 / \varnothing 21 \times 18$
- 69) Dwie śruby M4x35 mm
- 40) Dwa pierścienie blokujące $\varnothing 14 \times 6$ mm
- 10) Dwie śruby M4x16 mm
- 34) Pierścień prowadzący $\varnothing 11,1 \times 4$
- 22) Dwie śruby M5x8 mm
- 23) 2,5 mm klucz szesnastkowy



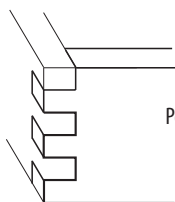
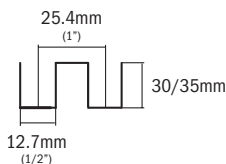
Montaż szablonu: ten szablon montuje się w taki sam sposób jak model standardowy. Wyjmij szablon standardowy z systemu CMT300 i zastąp go drugim szablonem (27), mocując go na wspornikach (13 – w zestawie CMT300), za pomocą śrub (14). Pierścienie blokujące (39 i 40) zastępują pierścienie standardowe z zestawu. Dwa pierścienie 39 montuje się z przodu w pozycji F2, natomiast pozostałe (40) montuje się z przodu w pozycji F1 i stosuje tylko do obróbki konkretnych konstrukcji, jak pokazano na Ryc. 7. W takim przypadku górna część elementu drewnianego będzie się opierać o pierścienie 40, a dolna część o pierścienie 39.



Montaż pierścienia prowadzącego: zastąp pierścień prowadzący znajdujący się już na frezarce pierścieniem 33. Następnie zamontuj frez prosty (881.081.11 z trzpieniem $\varnothing 6,35$ mm lub 912.080.11 z trzpieniem $\varnothing 8$ mm), za pomocą którego wykonasz obróbkę.

7) Opcjonalny szablon CMT300-T127

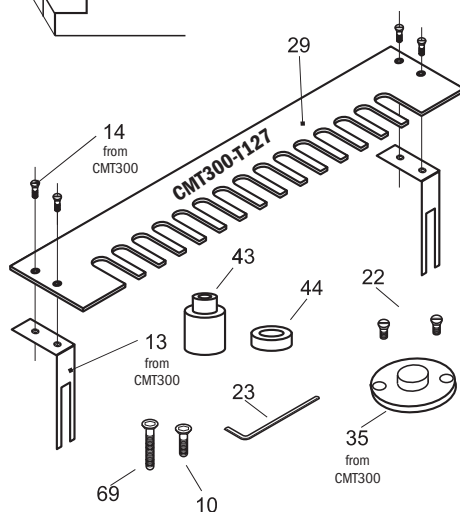
Szablon CMT300-T127 można zakupić dodatkowo. Umożliwia on wykonywanie połączeń nasuwkowych.



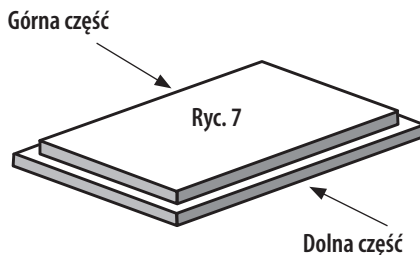
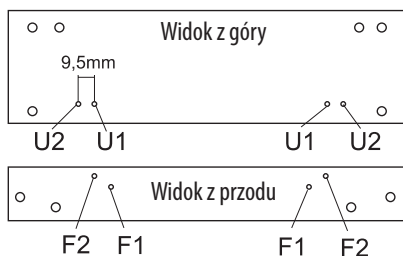
Połączenia nasuwkowe
(CMT300-T127)

Zawartość zestawu CMT300-T127:

- 29) Szablon CMT300-T127
- 14) Cztery śruby M4x8 mm
- 43) Dwa pierścienie blokujące Ø7,8x7/Ø17,2x24
- 69) Dwie śruby M4x40 mm
- 44) Dwa pierścienie blokujące Ø19,65x6 mm
- 10) Dwie śruby M4x16 mm
- 23) 2,5 mm klucz szesnastkowy

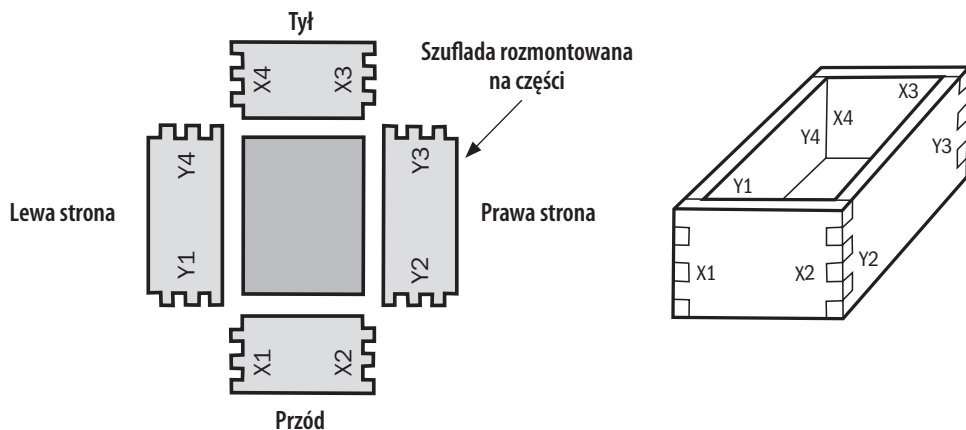


Montaż szablonu: ten szablon montuje się w taki sam sposób jak model standardowy. Wymij szablon standardowy z systemu CMT300 i zastąp go szablonem 29, mocując go na wspornikach (13 – w zestawie CMT300), za pomocą śrub (14). Pierścienie blokujące (43 i 44) zastępują pierścienie standardowe z zestawu. Dwa (dłuższe) pierścienie (43) montuje się z przodu w pozycji F2, natomiast pozostałe (44) montuje się z przodu w pozycji F1 i stosuje tylko do obróbki konkretnych konstrukcji, jak pokazano na Ryc. 7. W takim przypadku górna część elementu drewnianego będzie się opierać o pierścień 44, a dolna część o pierścień 43.



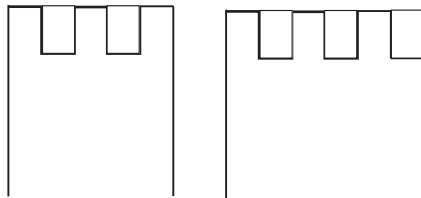
Montaż pierścienia prowadzącego: aby móc korzystać z tego szablonu, musisz zamontować pierścień prowadzący (35) Ø15,8x4 mm na przyrządzie CMT300. Następnie zamontuj frez prosty CMT (812.127.11 z trzpieniem Ø6,35 mm lub 912.127.11 z trzpieniem Ø8 mm lub 812.627.11 z trzpieniem Ø12,7 mm), za pomocą którego wykonasz obróbkę.

Przykład wykonania szuflady za pomocą szablonu CMT300-T080 i CMT300-T127:

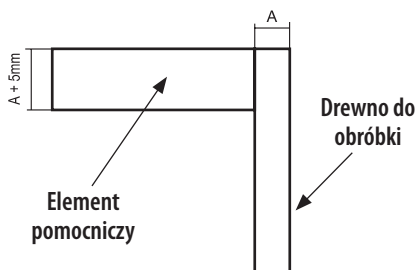


Z każdym przebiegiem frezarki obrabiane jest jedno połączenie (X1, X2..., Y1, Y2), zatem aby wykonać całą szufladę, należy przeprowadzić osiem cykli pracy.

Za pomocą tych dwóch szablonów można wykonywać dwa rodzaje połączeń, jak pokazano na ilustracjach.

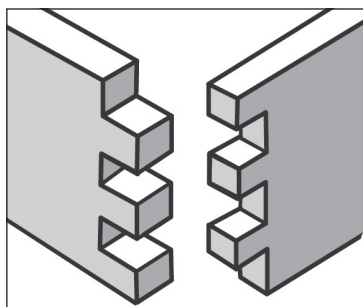


Do obróbki należy poziomo ustawić pomocniczy element, grubszy od obrabianego przedmiotu o 5 mm. Taki kawałek drewna ustawiony poziomo służy wyłącznie do podparcia elementu, który będzie obrabiany.



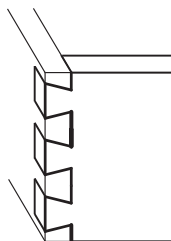
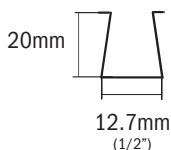
Ustawienie drewnianych elementów i ich obróbka:

- 1) Umieść drewniany element (X1..., Y2....) pionowo, dosuwając go do niewielkiego separatora i zaciśnij odpowiednio za pomocą listwy, aby nie wypadł.
- 2) Umieść pomocniczy kawałek drewna poziomo i dopchnij do elementu pionowego.
- 3) Połącz końce dwóch kawałków drewna ze sobą.
- 4) Docisnij do oporu listwę dociskową części pionowej.
- 5) Docisnij do oporu listwę dociskową części poziomej.
- 6) Ustaw szablon i docisnij nakrętki, aby przytrzymać go na miejscu.
- 7) Ruchy do i od obrabianego przedmiotu wykonuj od przodu – nie od góry – aby uniknąć ryzyka pominięcia prowadnicy i zniszczenia połączenia.
- 8) Ustaw frezarkę i poruszaj się zgodnie z profilem szablonu, aby wykonać obróbkę.
- 9) Pierwszy element jest gotowy – powtarzaj opisaną procedurę tak często, jak potrzebujesz.



8) Opcjonalny szablon CMT300-T129

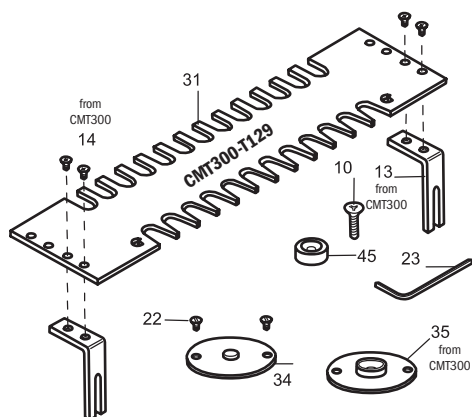
Szablon CMT300-T129 można zakupić dodatkowo. Umożliwia on wykonywanie otwartych połączeń na „jaskółczy ogon” 12,7x20 mm.



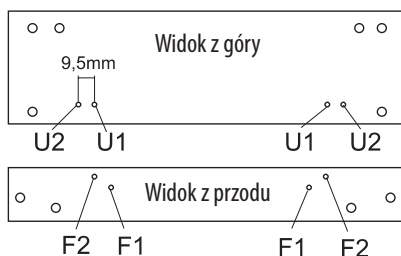
Otwarte połączenia na „jaskółczy ogon” (CMT300-T129)

Zawartość zestawu CMT300-T129:

- 31) Szablon CMT300-T129
- 14) Cztery śruby M4x8 mm
- 45) Dwa pierścienie blokujące Ø21,85x6 mm
- 14) Dwie śruby M4x16 mm
- 34) Pierścienie przewodzący Ø11,1x4 mm
- 22) Dwa śruby M5x8 mm
- 23) 2,5 mm klucz szesnastkowy



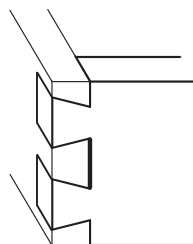
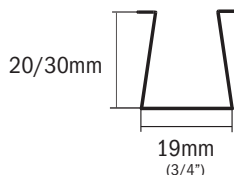
Montaż szablonu: ten nowy szablon montuje się w taki sam sposób jak model standardowy. Wyjmij szablon standardowy z systemu CMT300 i zastąp go szablonem 31, mocując go na wspornikach (13 – w zestawie CMT300), za pomocą śrub (14). Pierścienie blokujące (45) zastępują pierścienie standardowe znajdujące się w zestawie i montuje się je z przodu w pozycji F2.



Montaż pierścienia przewodzącego: jak widać, szablon ten ma dwie strony, gdyż połączenie jest wykonywane za pomocą dwóch frezów: po jednym dla każdej ze stron szablonu. Po pierwszej (prostej) stronie, należy zastosować frez do połączeń na „jaskółczy ogon” Ø12,7 (818.129.11 z trzpieniem Ø6,35 mm lub 918.129.11 z trzpieniem Ø8 mm) wraz ze standardowym pierścieniem przewodzącym Ø15,8x4 mm (w zestawie CMT300), natomiast po drugiej stronie (na „jaskółczy ogon”), należy użyć frezu prostego Ø8 mm (811.081.11 z trzpieniem Ø6,35 mm lub 912.080.11 z trzpieniem Ø8 mm) wraz z pierścieniem Ø11,1x4 mm (34), dostępnym w zestawie z szablonem.

9) Opcjonalny szablon CMT300-T190

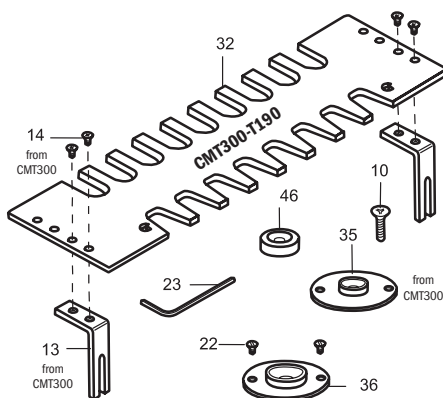
Szablon CMT300-T190 można zakupić dodatkowo. Umożliwia on wykonywanie otwartych połączeń na „jaskółczy ogon” 19x22 mm.



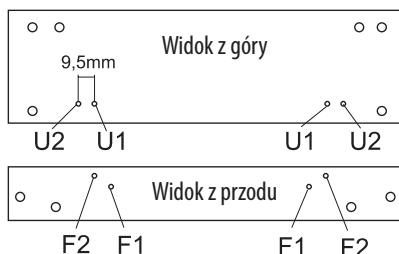
Otwarte połączenia na „jaskółczy ogon” (CMT300-T190)

Zawartość zestawu CMT300-T190:

- 32) Szablon CMT300-T190
- 14) Cztery śruby M4x8 mm
- 46) Dwa pierścienie blokujące Ø16,3x6 mm
- 10) Dwie śruby M4x16 mm
- 36) Pierścień prowadzący Ø22x4 mm
- 22) Dwa śruby M5x8 mm
- 23) 2,5 mm klucz szesnastkowy

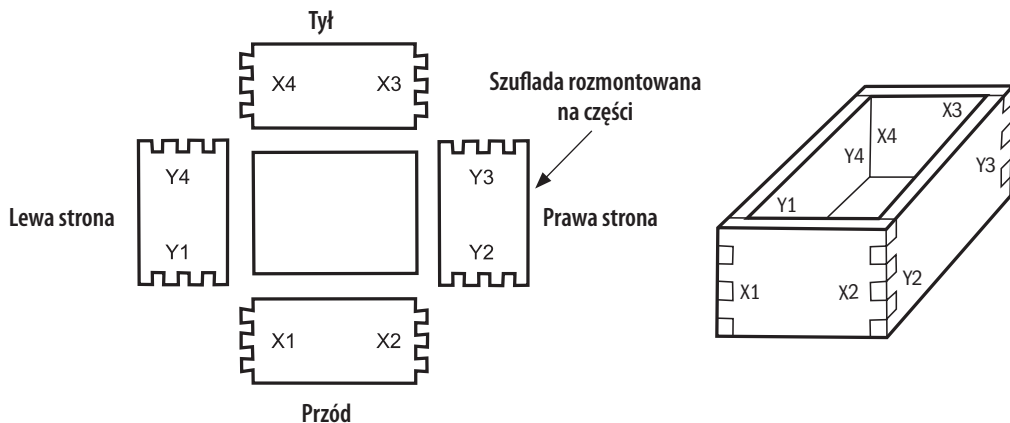


Montaż szablonu: ten szablon montuje się w taki sam sposób jak model standardowy. Wyjmij szablon standardowy z systemu CMT300 i zastąp go szablonem 32, mocując go na wspornikach (13 – w zestawie CMT300), za pomocą śrub (14). Pierścienie blokujące (46) zastępują pierścienie standardowe znajdujące się w zestawie i montuje się je z przodu w pozycji F2.



Montaż pierścienia prowadzącego: jak widać, szablon ten ma dwie strony, gdyż połączenie jest wykonywane za pomocą dwóch frezów: po jednym dla każdej ze stron szablonu. Po pierwszej (prostej) stronie, należy zastosować frez do połączeń na „jaskółczy ogon” Ø19 mm (718.190.11 z trzpieniem Ø6 mm – 818.190.11 z trzpieniem Ø6,35 mm – 918.190.11 z trzpieniem Ø8 mm – 918.690.11 z trzpieniem Ø12 mm – 818.690.11 z trzpieniem Ø12,7 mm) wraz z pierścieniem prowadzącym Ø22x4 mm (36) zawartym w zestawie z szablonem, natomiast po drugiej stronie (na „jaskółczy ogon”), należy użyć frezu prostego Ø12,7 mm (812.127.11 z trzpieniem Ø6,35 mm – 912.127.11 z trzpieniem Ø8 mm – 811.627.11 z trzpieniem Ø12,7 mm) wraz ze standardowym pierścieniem Ø15,8x4 mm, dostępnym w zestawie z szablonem.

Przykład wykonania szuflady za pomocą szablonu CMT300-T129 i CMT300-T190:



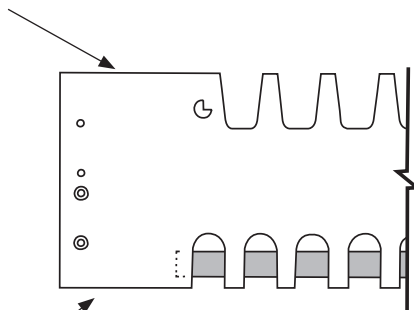
Z każdym kompletnym przebiegiem frezarki obrabiane jest jedno połączenie (X1, X2..., Y1, Y2...), zatem aby wykonać całą szufladę, należy przeprowadzić osiem cykli pracy.

Używanie dwóch stron:

Pierwsza część szablonu (z prostymi rowkami) umożliwia wykonywanie cięć w osi X (X1, X2...) za pomocą frezu do połączeń na „jaskółczy ogon” CMT i odpowiedniego pierścienia prowadzącego.

Druga część (na „jaskółczy ogon”) szablonu umożliwia wykonywanie cięć w osi Y (Y1, Y2...) za pomocą frezu prostego CMT i odpowiedniego pierścienia prowadzącego.

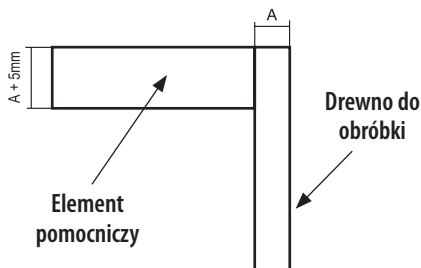
Druga strona szablonu
(do pracy z frezem prostym)



Pierwsza strona szablonu
(do pracy z frezem do połączeń na „jaskółczy ogon”)

Do obróbki elementów drewnianych, konieczny do obróbki kawałek drewna (który zostanie później wyrzucony), grubszy od obrabianego przedmiotu o 5 mm, należy umieścić poziomo jako element pomocniczy.

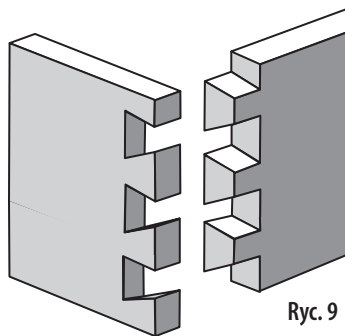
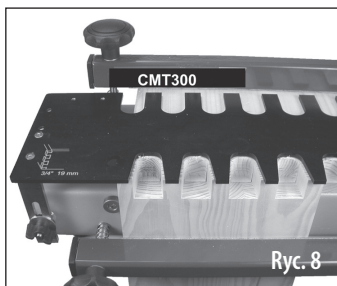
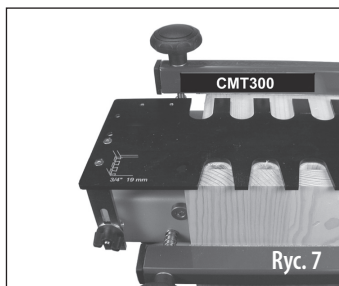
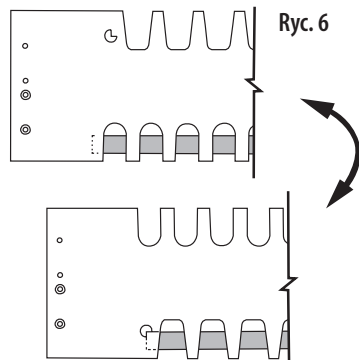
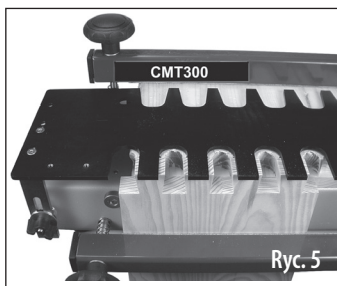
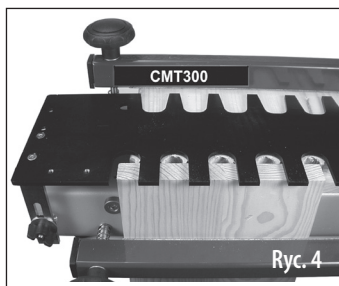
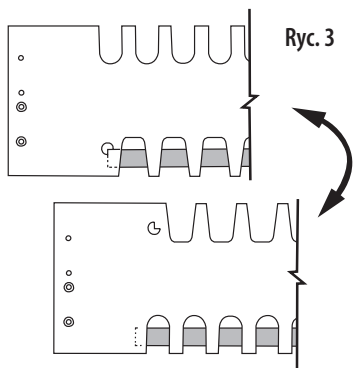
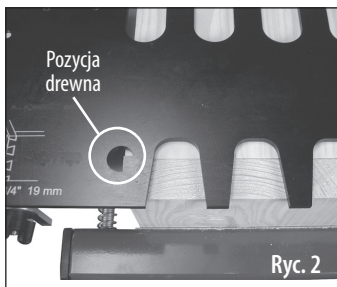
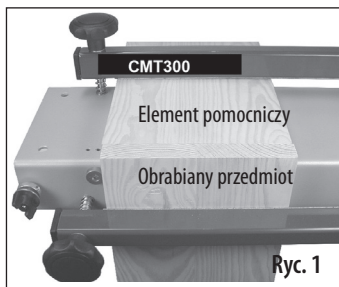
Taki kawałek drewna jest potrzebny, aby zapewnić stabilność pionowej części, która będzie poddawana obróbce.



Ustawienie drewnianych elementów i ich obróbka:

- 1) Umieść drewniany element X1 pionowo, dosuwając go do niewielkiego separatora i zaciśnij odpowiednio za pomocą listwy, aby nie wypadł.
- 2) Umieść pomocniczy kawałek drewna poziomo i dopchnij do elementu pionowego.
- 3) Połącz końce dwóch kawałków drewna ze sobą.
- 4) Docisnij do oporu listwę dociskową części pionowej.
- 5) Docisnij do oporu listwę dociskową części poziomej.
- 6) Umieść szablon na drugiej stronie (na „jaskółczy ogon”) i upewnij się za pomocą niewielkiego otworu w szablonie, że oba elementy są odpowiednio połączone i wyrównane.
- 7) Obróć szablon na pierwszą stronę (z prostymi rowkami). Pamiętaj, aby zastosować właściwy pierścień prowadzący i frez do połączeń na „jaskółczy ogon” CMT.
- 8) Ruchy do i od obrabianego przedmiotu wykonuj od przodu – nie od góry – aby uniknąć ryzyka pominięcia prowadnicy.
- 9) Ustaw frezarkę i poruszaj się zgodnie z profilem szablonu, aby wykonać obróbkę.
- 10) Pierwszy element jest gotowy – powtarzaj opisaną procedurę, aby wykonać wszystkie cięcia w osi X.
- 11) Wyjmij szablon i pozostaw pomocniczy kawałek drewna na miejscu.
- 12) Umieść drewniany element (Y1) pionowo, dosuwając go do niewielkiego separatora i zaciśnij odpowiednio za pomocą listwy, aby nie wypadł.
- 13) Połącz końce dwóch kawałków drewna ze sobą.
- 14) Docisnij do oporu listwę dociskową części pionowej.
- 17) Obróć szablon na drugą stronę (na „jaskółczy ogon”). Pamiętaj, aby zastosować właściwy pierścień prowadzący i frez prosty CMT.
- 16) Ruchy do i od obrabianego przedmiotu wykonuj od przodu – nie od góry – aby uniknąć ryzyka pominięcia prowadnicy.
- 17) Ustaw frezarkę i poruszaj się zgodnie z profilem szablonu, aby wykonać obróbkę.
- 18) Pierwszy element jest gotowy – powtarzaj opisaną procedurę, aby wykonać pozostałe połączenia.

Na kolejnej stronie znajdują się ilustracje, które pomogą Ci lepiej zrozumieć opisane powyżej czynności.



10) Podsumowanie:

Właśnie udało Ci się zakończyć montaż systemu CMT300. Poza niniejszymi instrukcjami istnieje dokumentacja handlowa dla poszczególnych elementów i odpowiadające im numery katalogowe systemu CMT300. Dostępne są opcjonalne szablony, opis stosowanych frezów i odpowiadające im numery katalogowe.

Mamy nadzieję, że praca z systemem CMT300 przyniesie Ci dużo satysfakcji.

Содержание

Стр.

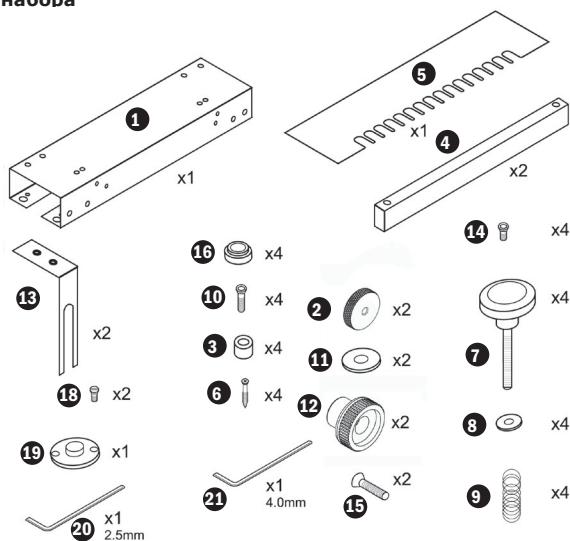
1.	Комплектация	100
2.	Сборка шипорезного приспособления CMT300	101
3.	Подготовка фрезера	102
4.	Использование шипорезного приспособления CMT300 со штатным шаблоном CMT300-T128	103
5.	Работа с шаблоном CMT300-T064 (приобретается отдельно)	104
6.	Работа с шаблоном CMT300-T080 (приобретается отдельно)	106
7.	Работа с шаблоном CMT300-T127 (приобретается отдельно)	107
8.	Работа с шаблоном CMT300-T129 (приобретается отдельно)	109
9.	Работа с шаблоном CMT300-T190 (приобретается отдельно)	110
10.	Заключительная часть	111

Благодарим Вас за приобретение нашей продукции и желаем многих часов приятной работы. Настоящее универсальное шипорезное приспособление позволит Вам быстро и легко изготавливать соединения любых типов.

Шипорезное приспособление может использоваться с любым фрезером благодаря универсальной подошве (приобретается отдельно).

1. Комплектация набора

№	Артикул	к-во
1	CMT300-01	1
2	CMT300-02	2
3	CMT300-03	4
4	CMT300-04	2
5	CMT300-T128	1
6	CMT300-06	4
7	CMT300-07	4
8	CMT300-08	4
9	CMT300-09	4
10	CMT300-10	4
11	CMT300-11	2
12	CMT300-12	2
13	CMT300-13	2
14	CMT300-14	4
15	CMT300-15	2
16	CMT300-16	4
18	CMT300-18	2
19	899.005.00	1
20	991.062.00	1
21	991.064.00	1



2. Сборка шипорезного приспособления CMT300

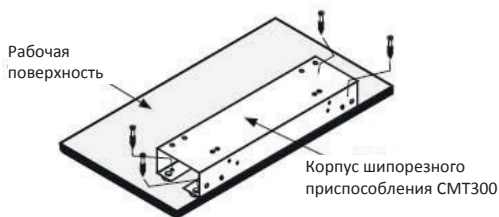


Рисунок 1: С помощью четырех саморезов прикрепите корпус шипорезного приспособления CMT300 к рабочей поверхности.

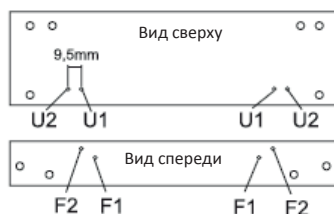
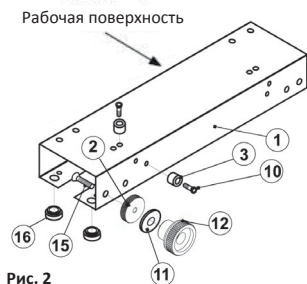


Рисунок 2: показывает, как собрать узлы, предназначенные для регулировки позиции шаблона. Прежде всего, с помощью шестигранного ключа (входит в комплект) вверните винт (15) в отверстие на корпусе. Наверните на винт (15) стопорную гайку (2A), наденьте шайбу (11) и затяните барашковую гайку (12). Повторите вышеуказанные действия с другой стороны корпуса. Втулки (3) и винты (10) предназначены для позиционирования обрабатываемых заготовок. Приверните винтами (10) втулки (3) к корпусу (1). Прикрепите две втулки (3) в позицию U1 на верхней стороне корпуса, и две - в позицию F1 на передней стороне.

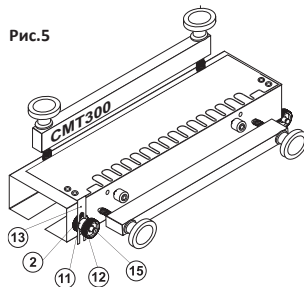
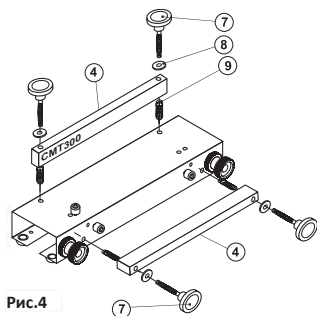
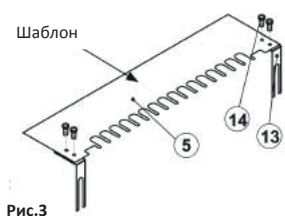


Рисунок 3: Установка шаблона (5). Прикрутите к шаблону два регулируемых держателя (13) с помощью винтов (14).

Рисунок 4: На рисунке показывается, как монтировать прижимные планки, фиксирующие заготовки в нужной позиции. Покрытие поверхности планок позволяет надежнее удерживать заготовки во время обработки. Приверните планку (4) с помощью ручек (7), шайб (8) и пружин (9) к двум соответствующим резьбовым отверстиям. Таким же образом установите планку 4 к передней стороне корпуса.

Рисунок 5: Закрепите шаблон на корпусе шипорезного приспособления CMT300. Для этого зажмите держатели шаблона (13) между деталями (2) и (11).

Рисунок 6: Установленный шаблон может сдвигаться в направлениях X и Y. Закручивайте или ослабляйте стопорную гайку (2A/B) для подстройки вперед-назад (X), и поднимайте или опускайте держатели (13) для подстройки вверх-вниз (Y). После настройки позиции шаблона затяните барашки (12). Шипорезное приспособление готово к работе.

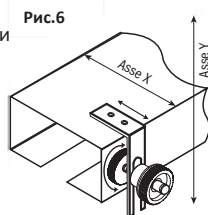


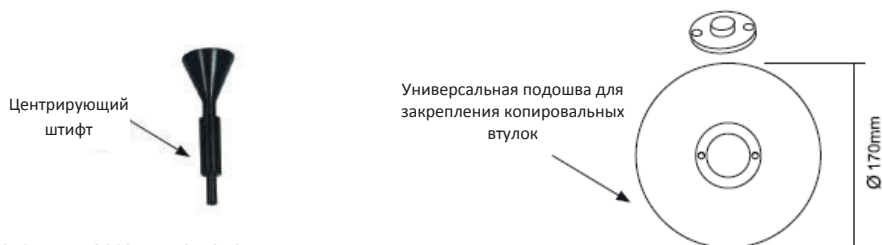
Рис.6

3. Подготовка фрезера.

В комплект шипорезного приспособления CMT300 включается копировальная втулка с расстоянием 50 мм между центрами крепежных отверстий.



Если у Вашего фрезера соответствующие отверстия располагаются на ином расстоянии, Вы можете приобрести универсальную подошву для крепления копировальных втулок. Диаметр указанной подошвы 170 мм, к ней прилагается центрирующий штифт.



Имеются универсальные подошвы:

CMT300-SB1 (диаметр хвостовика 8 и 12мм)

CMT300-SB2 (диаметр хвостовика 6.35 и 12.7мм)

После закрепления копировальной втулки установите фрезу «ласточкин хвост».

4. Работа со штатным шаблоном CMT300-T128

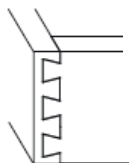
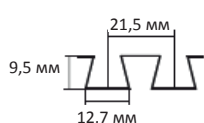
В комплект шипорезного приспособления CMT300 входит стандартный шаблон (CMT300-T128) для нарезки 12.7 мм соединения «ласточкин хвост» в полдерева. Для этого отдельно приобретаются обычные фрезы CMT «ласточкин хвост».

С шаблоном CMT300-T128 могут применяться фрезы:

718.127.11 (диаметр хвостовика 6 мм)

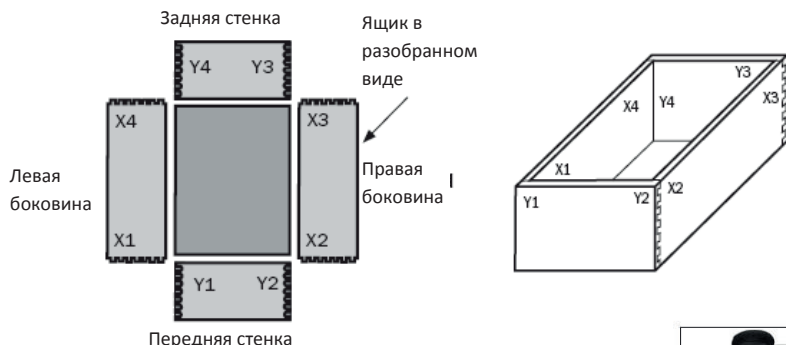
818.128.11 (диаметр хвостовика 6,35 мм)

918.127.11 (диаметр хвостовика 8 мм)



Соединение на шип «ласточкин хвост» в полдерева (CMT300-T128)

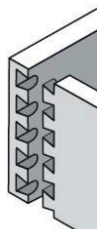
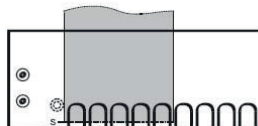
Пример изготовления ящика с использованием стандартного шаблона CMT300-T128.



При каждой операции сразу обрабатывается одно угловое соединение, по две детали (X1 и Y1, X2 и Y2). Таким образом, для изготовления ящика требуется четыре цикла.

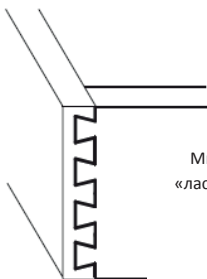
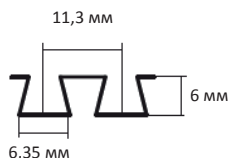
Закрепление заготовок и фрезерование

- 1) Поместите заготовку (X1, X2 ...) вертикально вплотную к ограничителю и слегка зафиксируйте прижимной планкой.
- 2) Поместите заготовку (Y1, Y2 ...) горизонтально вплотную к ограничителю и слегка зафиксируйте прижимной планкой.
- 3) Выровняйте обе заготовки.
- 4) Полностью затяните вертикальную прижимную планку.
- 5) Полностью затяните горизонтальную прижимную планку.
- 6) Установите шаблон и закрепите его.
- 7) Двигайте фрезер в горизонтальной плоскости, ни в коем случае не сверху, во избежание повреждений соединения.
- 8) Отфрезеруйте соединение, двигая копирующую втулку по шаблону.
- 9) Первая пара деталей готова, повторите вышеуказанные операции необходимое число раз.



5. Использование шаблона CMT300-T064

Шаблон CMT300-T064 приобретается отдельно и предназначен для изготовления глухих мини-соединений «ласточкин хвост» в полдерева.

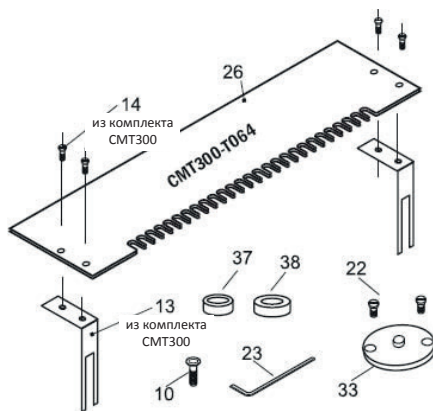


Миниатюрные соединения
«ласточкин хвост» в полдерева

(CMT300-T064)

Комплектация шаблона CMT300-T064:

- 10) Четыре винта M4x16 мм
- 14) Четыре винта M4x8 мм
- 22) Два винта M5x8 мм
- 23) Шестигранный ключ 2.5 мм
- 26) шаблон CMT300-T064
- 33) Копировальная втулка $\varnothing 7.8 \times 4$ мм
- 37) Два ограничителя $\varnothing 15.8 \times 6$ мм
- 38) Два ограничителя $\varnothing 28.6 \times 4$ мм

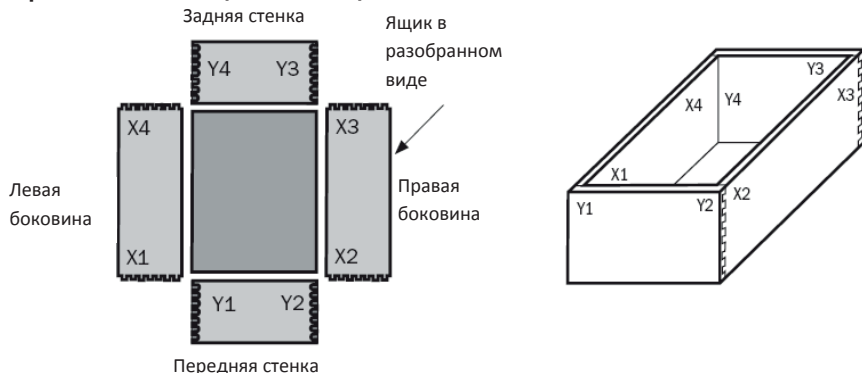


Установка шаблона T064:

Шаблон устанавливается так же, как и стандартный. Снимите стандартный шаблон и замените его шаблоном T064 (26). Закрепите упоры (13) (из комплекта шипорезного приспособления CMT300) винтами (14) (из комплекта шипорезного приспособления CMT300). Ограничители (37) и (38) заменяют соответствующие ограничительные втулки стандартного шаблона. Ограничитель (38), который имеет больший диаметр, чем ограничитель (37), устанавливается спереди в позиции F2. Ограничитель (37) ставится сверху в позиции U1.

Закрепите на фрезере копирующую втулку (33). Установите фрезу ласточкин хвост (718.060.11 - хвостовик 6 мм / 818.064.11 - хвостовик 6.35 мм).

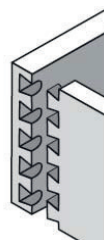
Пример изготовления ящика с помощью шаблона CMT300-T064



При каждой операции сразу обрабатывается одно угловое соединение, по две детали (X1 и Y1, X2 и Y2). Таким образом, для изготовления ящика требуется четыре цикла.

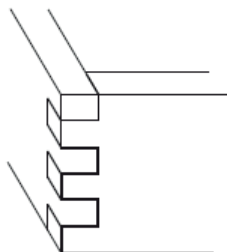
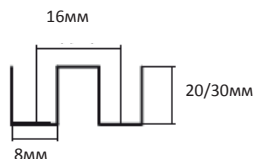
Закрепление заготовок и фрезерование

- 1) Разместите заготовку (X1, X2 ...) вертикально напротив ограничителя и несильно притяните прижимной планкой.
- 2) Разместите заготовку (Y1, Y2 ...) горизонтально напротив ограничителя и несильно притяните прижимной планкой.
- 3) Выровняйте обе заготовки.
- 4) Полностью затяните вертикальную прижимную планку.
- 5) Полностью затяните горизонтальную прижимную планку.
- 6) Установите шаблон и закрепите его.
- 7) Двигайте фрезер в горизонтальной плоскости, ни в коем случае не сверху, во избежание повреждений соединения.
- 8) Отфрезеруйте соединение, двигая копировальную втулку по шаблону.
- 9) Первая пара деталей готова, повторите вышеуказанные операции необходимое число раз.



6. Шаблон CMT300-T080

Шаблон CMT300-T080 приобретается отдельно и предназначен для изготовления сквозного мини-соединения прямым шипом.

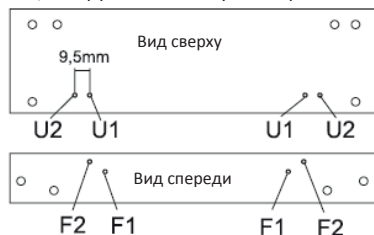
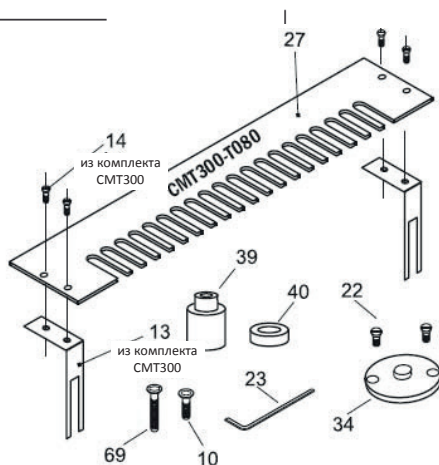


Миниатюрные соединения
«в лапу» на прямой шип
(CMT300-T080)

Комплектация шаблона CMT300-T080:

- 10) Два винта M4x16 мм
- 14) Четыре винта M5x8 мм
- 22) Два винта M5x8 мм
- 23) Шестигранный ключ 2.5 мм
- 27) Шаблон CMT300-T080
- 34) Копировальная втулка $\varnothing 11.1 \times 4$ мм
- 39) Два ограничителя $\varnothing 15 \times 7 / \varnothing 21 \times 18$ мм
- 40) Два ограничителя $\varnothing 14 \times 6$ мм
- 69) Два винта M4x35 мм

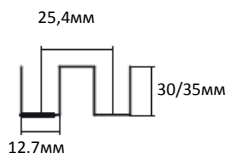
Сборка шаблона T080: Шаблон CMT300-T080 крепится так же, как и стандартный. Замените стандартный шаблон шаблоном (27). Закрепите упоры (13) винтами (14) (обе позиции входят в комплектацию шипорезного приспособления CMT300). Ограничительные втулки (39) и (40) заменяют стандартные ограничители. Два ограничителя (39) монтируются спереди в позиции F2, в то время, как ограничители (40) устанавливаются спереди в позиции F1 и используются для фрезерования специфического варианта, как на рисунке 7. В указанном случае верхняя заготовка позиционируется вплотную к ограничителю (40), а нижняя - к ограничителю (39).



Закрепите на фрезере копировальную втулку (33) и установите длинную пазовую фрезу (881.081.11 - хвостовик 6.35 мм / 912.080.11 - хвостовик 8 мм).

7. Шаблон CMT300-T127

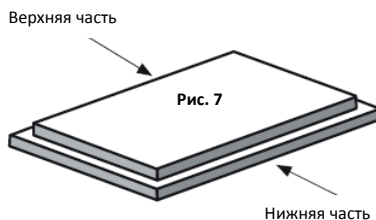
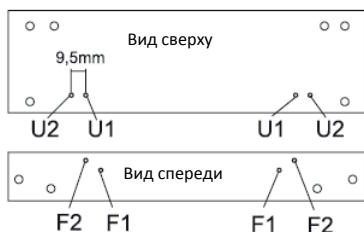
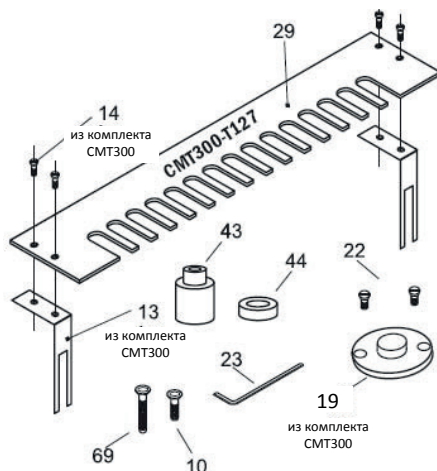
Шаблон CMT300-T127 приобретается отдельно и предназначен для изготовления открытого соединения прямым шипом.



Комплектация шаблона CMT300-T127:

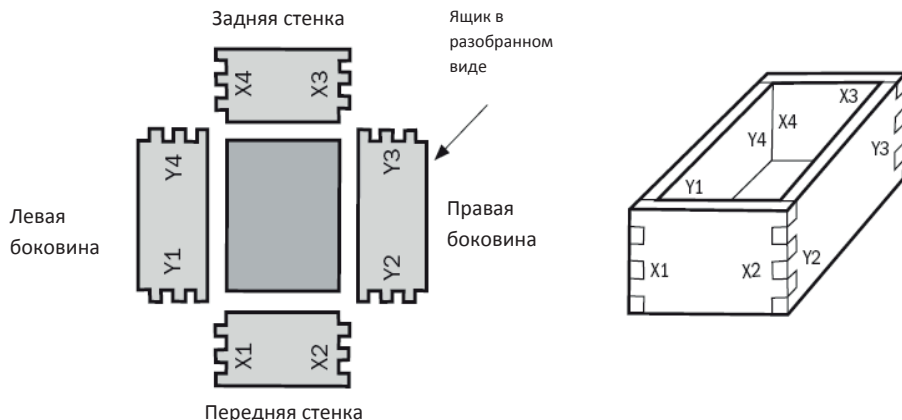
- 10) Два винта M4x16 мм
- 14) Четыре винта M4x8 мм
- 19) копировальная втулка из комплекта CMT300
- 23) Шестигранный ключ 2.5 мм
- 29) Шаблон CMT300-T127
- 43) Два ограничительных кольца $\varnothing 7.8 \times 7 / \varnothing 17.2 \times 24$ мм
- 44) Два ограничительных кольца $\varnothing 19.65 \times 6$ мм
- 69) Два винта M4x40 мм

Установка шаблона T127: Данный шаблон устанавливается так же, как и стандартный. Замените стандартный шаблон шаблоном T127 (29). Закрепите упоры (13) винтами (14) (входят в комплект шипорезного приспособления CMT300). Ограничители (43) и (44) устанавливаются вместо стандартных ограничительных втулок. Два длинных ограничителя (43) монтируются с передней стороны в позиции F2, в то время как другие ограничители (44) располагаются спереди в позиции F1 и используются только для фрезерования специфического варианта, как на рисунке 7. В этом случае, верхняя заготовка выравнивается по ограничителю (44), а нижняя – по ограничителю (43).

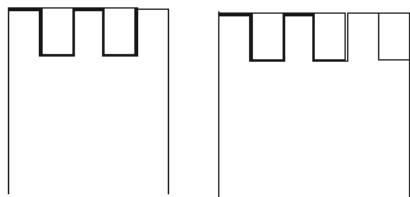


Установка копировальной втулки: с настоящим шаблоном используется копировальная втулка $\varnothing 15.8 \times 4$ мм (35), которая уже входит в комплект шипорезного приспособления CMT300. После закрепления втулки установите пазовую фрезу (812.127.11 - хвостовик 6.35 мм / 912.127.11 - хвостовик 8 мм / 812.627.11 - хвостовик 12.7 мм).

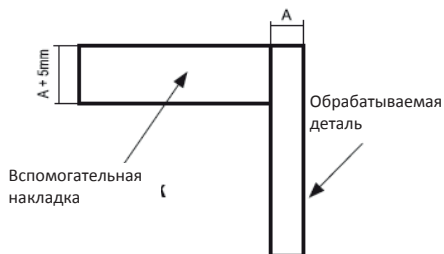
Пример изготовления ящика с помощью шаблонов CMT300-T080 и CMT300-T127.



При каждой операции обрабатывается одна поверхность (X1, X2 ..., Y1, Y2 ...). Для завершения работы необходимо произвести восемь операций. При помощи указанных двух шаблонов могут быть изготовлены два типа соединений, как показано на рисунках:

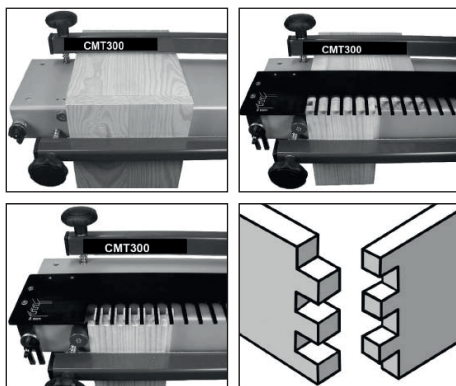


Для фрезеровки соединения горизонтально крепится вспомогательная деревянная накладка, которая на 5 мм толще обрабатываемой заготовки. Роль этой детали – поддерживать во время фрезерования заготовку, которая закрепляется вертикально.



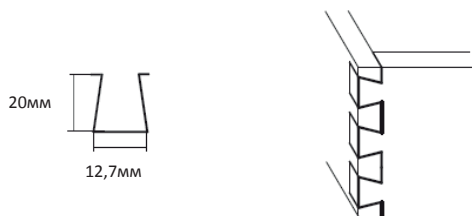
Установка деревянных заготовок и фрезерование:

- 1) Закрепите заготовку (X1..., Y2...) вертикально, напротив ограничителя и несильно затяните прижимной планкой.
- 2) Поместите горизонтально вспомогательную деталь (из отходов) и подоприте её заготовку.
- 3) Совместите края обеих деревянных деталей.
- 4) Полностью затяните вертикальную прижимную планку.
- 5) Полностью затяните горизонтальную прижимную планку.
- 6) Установите и закрепите шаблон.
- 7) Двигайте фрезер только в горизонтальной плоскости, ни в коем случае не сверху, во избежание повреждения соединения.
- 8) Закончите фрезерование.
- 9) Одна поверхность обработана, повторите операции необходимое количество раз.



8. Шаблон CMT300-T129:

Шаблон CMT300-T129 приобретается отдельно и используется для открытого соединения «ласточкин хвост» 12.7x20 мм.



открытое соединение
«ласточкин хвост»
(CMT300-T129)

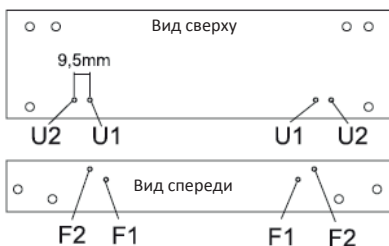
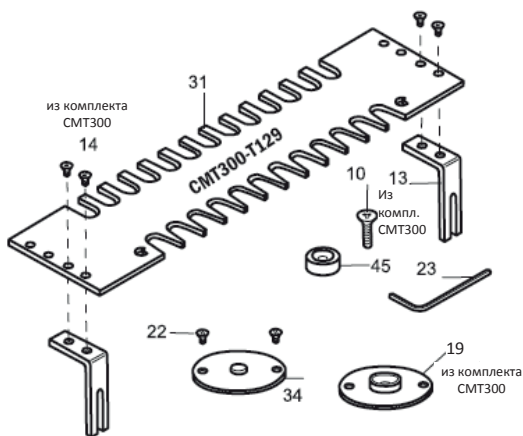
Комплектация шаблона CMT300-T129:

- 10) Два винта M4x16 мм
- 14) Четыре винта M4x8 мм
- 19) копировальная втулка 15,8x4 мм (из комплекта CMT300)
- 22) Два винта M5x8 мм
- 23) Шестигранный ключ 2.5 мм
- 31) Шаблон CMT300-T129
- 34) Копировальная втулка $\phi 11.1 \times 4$ мм
- 44) Два ограничительных кольца $\phi 21.85 \times 6$ мм

Установка шаблона T129: настоящий шаблон монтируется так же, как и стандартный шаблон. Снимите с шипорезного приспособления CMT300 стандартный шаблон и замените его шаблоном T129 (31). Прикрепите упоры (13) (из комплекта шипорезного приспособления CMT300) с помощью винтов (14) (входят в комплект шипорезного приспособления CMT300). Ограничители (45) заменяют стандартные и крепятся спереди в позиции F2.

Установка копировальной втулки:

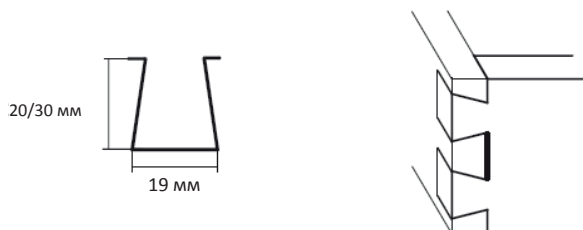
Шаблон двухсторонний, так что соединение изготавливается с помощью двух фрез: каждая для своей стороны шаблона.



На стороне шаблона с прямоугольными выступами используется фреза «ласточкин хвост» 12.7 мм (818.129.11 - хвостовик 6.35 мм / 918.129.11 - хвостовик 8 мм) со стандартной копировальной втулкой 15.8x4 мм (входит в комплект шипорезного приспособления CMT300), в то время как на другой стороне шаблона (с клинообразными выступами), используется 8 мм прямая пазовая фреза (811.081.11 - хвостовик 6.35 мм / 912.080.11 - хвостовик 8 мм) с копировальной втулкой 11.1x4мм (34), которая входит в комплект шаблона.

9. Шаблон CMT300-T190

Шаблон CMT300-T190 приобретается отдельно и используется для изготовления открытого соединения «ласточкин хвост» 19x22 мм.

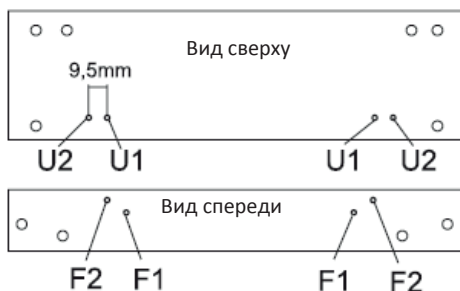
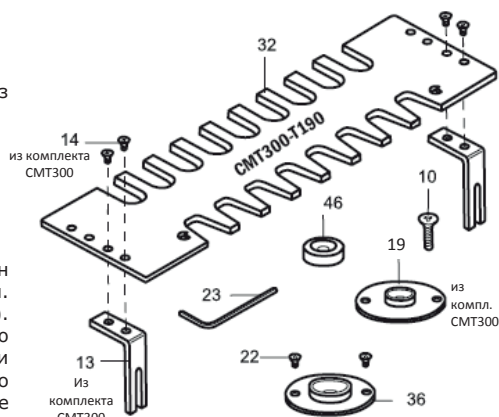


открытое соединение
«ласточкин хвост»
(CMT300-T190)

Комплектация шаблона CMT300-T190:

- 10) Два винта M4x16 мм
- 13) Упоры из комплекта CMT300
- 14) Четыре винта M4x8 мм
- 19) копировальная втулка 15,8x4 мм (из комплекта CMT300)
- 22) Два винта M5x8 мм
- 23) Шестигранный ключ 2.5 мм
- 32) шаблон CMT300-T190
- 46) два ограничителя $\varnothing 16.3 \times 6$ мм
- 36) Копировальная втулка $\varnothing 22 \times 4$ мм

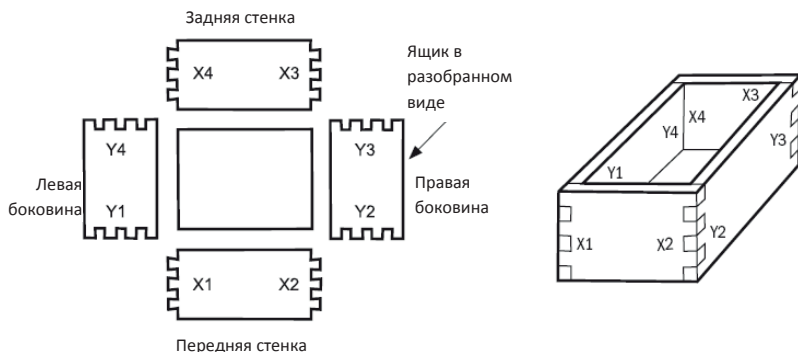
Установка шаблона T190: шаблон устанавливается так же, как и стандартный. Замените стандартный шаблон на шаблон (32). Прикрепите упоры (13) (входят в комплектацию шипорезного приспособления CMT300) винтами (14) (входят в комплект шипорезного приспособления CMT300). Ограничительные втулки (46) заменяют стандартные и устанавливаются спереди в позиции F2.



Установка копировальной втулки: шаблон CMT300-T190 двухсторонний, так как соединение изготавливается с применением двух фрез: каждая для своей стороны шаблона.

С одной стороны (прямоугольные выступы) используется фреза ласточкин хвост $\varnothing 19$ мм (718.190.11 - хвостовик 6 мм / 818.190.11 - хвостовик 6.35 мм / 918.190.11 - хвостовик 8 мм / 918.690.11 - хвостовик 12 мм / 818.690.11 хвостовик 12.7 мм) с копировальной втулкой $\varnothing 22 \times 4$ мм (36), которая входит в комплект шаблона, в то время, как на другой стороне (клинообразные выступы) используется прямая пазовая фреза $\varnothing 12.7$ мм (812.127.11 - хвостовик 6.35 мм / 912.127.11 - хвостовик 8 мм / 811.627.11 - хвостовик 12.7 мм), которая применяется со стандартной копировальной втулкой $\varnothing 15.8 \times 4$ мм (входит в комплект шипорезного приспособления CMT300).

Пример изготовления ящика с применением шаблонов CMT300-T129 и CMT300-T190:



За одну операцию обрабатывается только одна поверхность. Для изготовления ящика необходимы восемь операций.

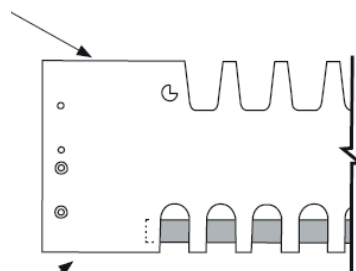
Использование сторон шаблона:

Первая сторона шаблона (с прямоугольными выступами) служит для реза по оси X (X1, X2 ...) с помощью фрезы «ласточкин хвост» и соответствующей копировальной втулки.

Вторая сторона шаблона (с клинообразными выступами) служит для реза по оси Y (Y1, Y2 ...) с помощью прямой пазовой фрезы и соответствующей копировальной втулки.

Вторая сторона шаблона

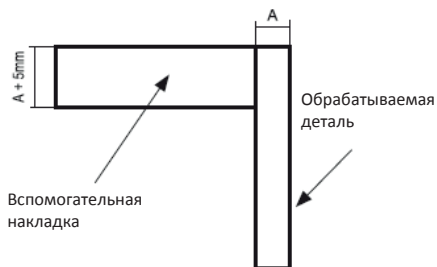
(используется с прямой пазовой фрезой)



Первая сторона шаблона

(используется с фрезой «ласточкин хвост»)

При фрезеровании деталей горизонтально закрепляется вспомогательная накладка, толщина которой на 5 мм больше толщины заготовок, она жестко фиксирует край заготовки.

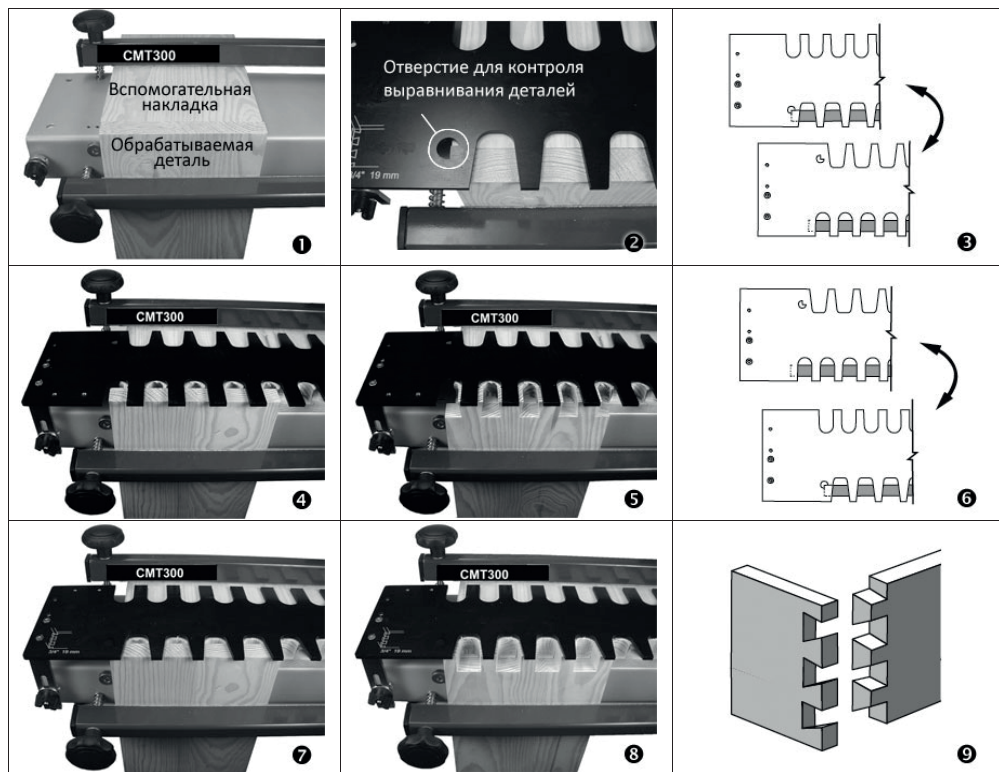


Закрепление деталей и фрезерование.

- 1) Закрепите сторону детали X1 вертикально напротив ограничителя и слегка зафиксируйте прижимной планкой;
- 2) Слегка закрепите горизонтально вспомогательную накладку и уприте ее в обрабатываемую деталь;

- 9) Фрезеруйте только в горизонтальной плоскости!
- 10) Первая сторона готова, повторите операцию для всех сторон по оси X (X1, X2 ...);
- 11) Уберите шаблон, вспомогательную накладку оставьте на месте;
- 12) Поместите вертикально в шипорезное приспособление сторону Y1 и слегка закрепите прижимной планкой;
- 13) Совместите края обеих деревянных деталей;
- 14) Затяните переднюю прижимную планку до конца;
- 15) Переверните шаблон на вторую сторону (клинообразные выступы). Убедитесь в том, что Вы используете соответствующие шаблону копировальную втулку и прямую пазовую фрезу;
- 16) Фрезеруйте только в горизонтальной плоскости;
- 18) Первая сторона Y готова, повторите операцию для обработки всех сторон по оси Y (Y1, Y2 ...).

Следующие иллюстрации помогут Вам лучше понять вышеприведенные инструкции.



10. Заключительная часть

В дополнение к настоящей инструкции имеется техническая документация и соответствующие артикулы по комплектующим системы CMT300. В частности, по шаблонам, приобретаемым отдельно, характеристикам используемых фрез с соответствующими номерами по каталогу.

Производитель оставляет за собой право изменять внешний вид и комплектацию изделий без дополнительного уведомления.

При возникновении вопросов, пожалуйста обращайтесь к эксклюзивному дистрибьютору CMT Utensili S. p. A. - ООО «ЦРИ»:

Желаем Вам приятной работы с системой CMT300!



© C.M.T UTENSILI S.P.A.

Ⓢ: CMT, the CMT logo and the orange color applied to tool surfaces are trademarks of C.M.T. UTENSILI S.P.A.

This document has been sent for your personal use only. All usage and reproduction is forbidden without written permission from C.M.T. UTENSILI S.P.A.

Any brand names mentioned in CMT product catalogues and on the CMT website are the property of their respective owners.

Ⓢ: CMT, el logotipo CMT y el color anaranjado del revestimiento de la superficie de las herramientas son marcas registradas de C.M.T. UTENSILI S.p.A.

Este documento ha sido enviado para uso personal. Se prohíbe cualquier uso diferente y/o reproducción sin previa autorización escrita de C.M.T. UTENSILI S.P.A.

Cualquier otra marca presente en el sitio Web y en los catálogos CMT es propiedad de su respectivo fabricante.

Ⓢ: CMT, les logos CMT, CMT ORANGE TOOLS et la couleur orange du revêtement de la surface des outils sont des marques déposées de la société C.M.T. Utensili S.p.A.

Ce document vous a été envoyé exclusivement à usage personnel. Toute utilisation et ou reproduction de celui-ci est interdite sans l'autorisation expresse de son propriétaire.

Toutes les autres marques mentionnées sur ce site et dans les catalogues CMT sont la propriété de leurs fabricants respectifs.

Ⓢ: CMT, i loghi CMT, CMT ORANGE TOOLS e il colore arancio del rivestimento della superficie degli utensili sono marchi registrati di C.M.T. Utensili S.P.A.

Questo documento Vi è stato inviato solo ad uso personale. Qualsiasi altro uso e/o riproduzione di esso è vietata senza preventiva autorizzazione scritta rilasciata da C.M.T. UTENSILI S.P.A.

Ogni altro marchio riportato in questo sito e nei cataloghi dei prodotti CMT rimane di proprietà dei rispettivi produttori.

Ⓢ: CMT, die CMT Logos, CMT ORANGE TOOLS und die orangene Farbe der Werkzeugflächen sind eingetragene Warenzeichen von C.M.T. Utensili S.p.A.

Dieses Dokument wurde Ihnen nur zur privaten Nutzung zugesendet. Jede Art von Nutzung und/oder Vervielfältigung ist ohne die schriftliche Genehmigung von CMT nicht erlaubt.

Alle anderen Markennamen, die sich auf dieser Seite und in den CMT-Katalogen befinden, sind das Eigentum ihrer bezüglichen Hersteller.

Ⓢ: CMT, logo CMT, CMT ORANGE TOOLS oraz pomarańczowy kolor pokrycia powierzchni narzędzi są zarejestrowanymi znakami towarowymi firmy C.M.T. Utensili S.P.A.

Dokument ten został Państwu przesłany wyłącznie do użytku osobistego. Jakiegokolwiek inne użycie i/lub kopiowanie dokumentu jest zabronione bez wcześniejszej pisemnej zgody firmy C.M.T. UTENSILI S.P.A.

Wszystkie znaki towarowe marek wymienionych w katalogu CMT oraz na stronie internetowej CMT są własnością ich prawnych właścicieli.

Ⓢ (права на товарные знаки): название CMT, логотип CMT и оранжевый цвет, используемый для окраски инструмента C.M.T. UTENSILI S.P.A.

Прочие товарные знаки и названия брендов, упоминаемые на сайте и в каталогах CMT являются собственностью соответствующих компаний и производителей. © C.M.T. UTENSILI S.P.A.

Данный документ предоставлен для вашего персонального использования. Любое цитирование, перепечатка или тиражирование запрещено без письменного разрешения C.M.T. UTENSILI S.P.A.

Любая торговая марка, упомянутая в каталоге CMT и на интернет-сайте CMT является собственностью правообладателей.

© C.M.T UTENSILI S.P.A.

03.60.0217

C.M.T. UTENSILI S.p.A.

Via della Meccanica
61122 Pesaro

Fraz. Chiusa di Ginestreto - Italia

Phone #39 0721 48571

Fax #39 0721 481021

info@cmtorangetools.com

www.cmtorangetools.com

